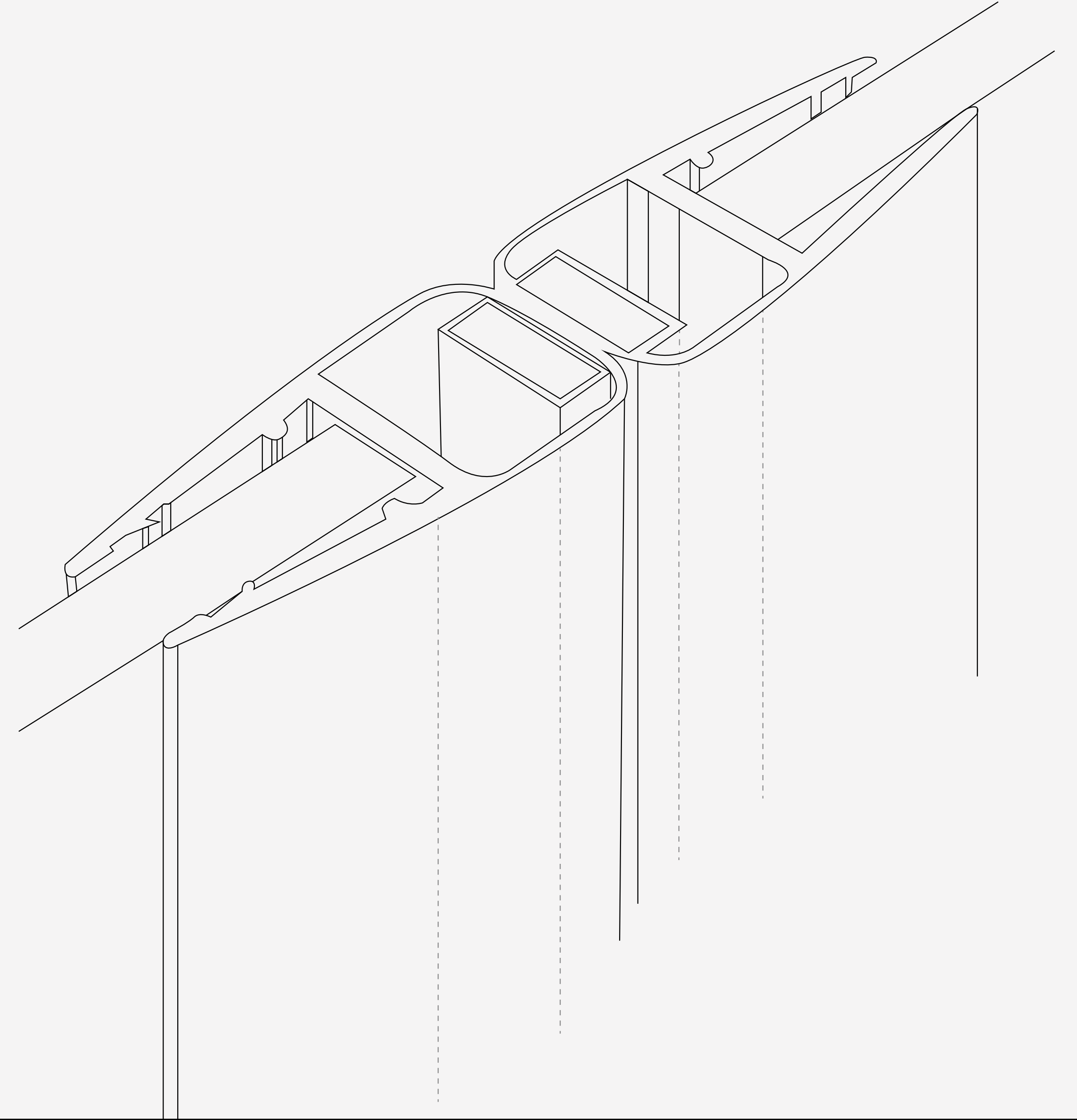




Plastic & Glass

2022 / 2023



CONTACTS :

M : INFO.EGPAS.COM

W : WWW.EGPAS.COM



*22 years of
plastic
engineering...*

In 2000 Eren Plastik was founded by Mr. Kenan Eren. In the beginning our company was a producer for extrusion moulds. But in a short time we also started extruding profiles for various branches.

It was in the beginning of 2008 when we started Research & Development of Showercabine Gaskets. Within a couple of years we started supplying almost 70% of the showercabine producers in Turkiye. In 2018 we started our export business especially with western Europe. Since then we are growing each day together with our customers.

**2022/
2023**



Index

Welcome	04
History	06
Eren in Numbers	07
Shower Cabine	08
From Zero to Hero	10
Glass Factory	12
Products	17
Contact	54



Catalogue

2023



Our Factory in Gebze - Çayırova
(20 minutes from Istanbul Sabiha Gökçen international Airport)





CEO

My Brother and me were teenagers when our father started the company in the basement of our house. I remember that we always tried to help him. Through the years, countless times we slept on the rawmaterial packages. We always had the drive to achieve more and more. So it was in 2008 when we decided to find a special branch to work for so we could separate us from all of the other competition. We found out that almost all showercabine gaskets were imported from China, Germany and Italy. So we started researching these special kind of products. It took us around 2 years to develop the proper serial production. Two years were really hard but the potential we saw gave us the energy to go down this tough path. Once we started serial production everything went fast.

In a short amount of time we dominated this branch as a supplier in the domestic Market. A long time goal for me was, to establish the export business. In 2018 we made the first steps to do so. Despite all the problems the World and our country has faced we kept growing and growing. Now 2022 is the biggest milestone for us as we will move into our new factory. Here we will increase our capacity of Extrusion lines and also start with the production of tempered glass.

I am very excited about the future and my biggest goal is to keep growing together with our customers in this journey that is now going on since the beginning of this millenium.

Volkan Eren



History

We have come a long way since 2000. This is our Journey...



**And our Journey
continues...**

2000

Founded by Mr. Kenan Eren as Mold Production Company in Istanbul

2001

Establishing of 1. Extrusion Line. Producing Gaskets for various Branches

2008

2008 Research for new Branch. Starting R&D for showercabine Gaskets

2010

Starting PVC Magnet & Waterstripe Gaskets for showercabine branch.

2017

2017 supplying almost 75% of turkish showercabine producers

2018

Launching first efforts of export business to Europe

...2022

New Factory for Plastic & Glass increasing Plastic production more than 50%



Eren in Numbers

In more than 20 years we reached many goals. Learn more about Eren with some key figures...

Tooling Department

Our tooling and molding departments are capable of withstanding even the most challenging designs you throw at our way. We produce custom tailored products for you, down to the millimeter.

Magnets

With our in-house developed system we can extrude and produce our magnets in bipolar, tripolar or reversible versions. Like all our rawmaterials the magnets are in compliance with EU Standarts.

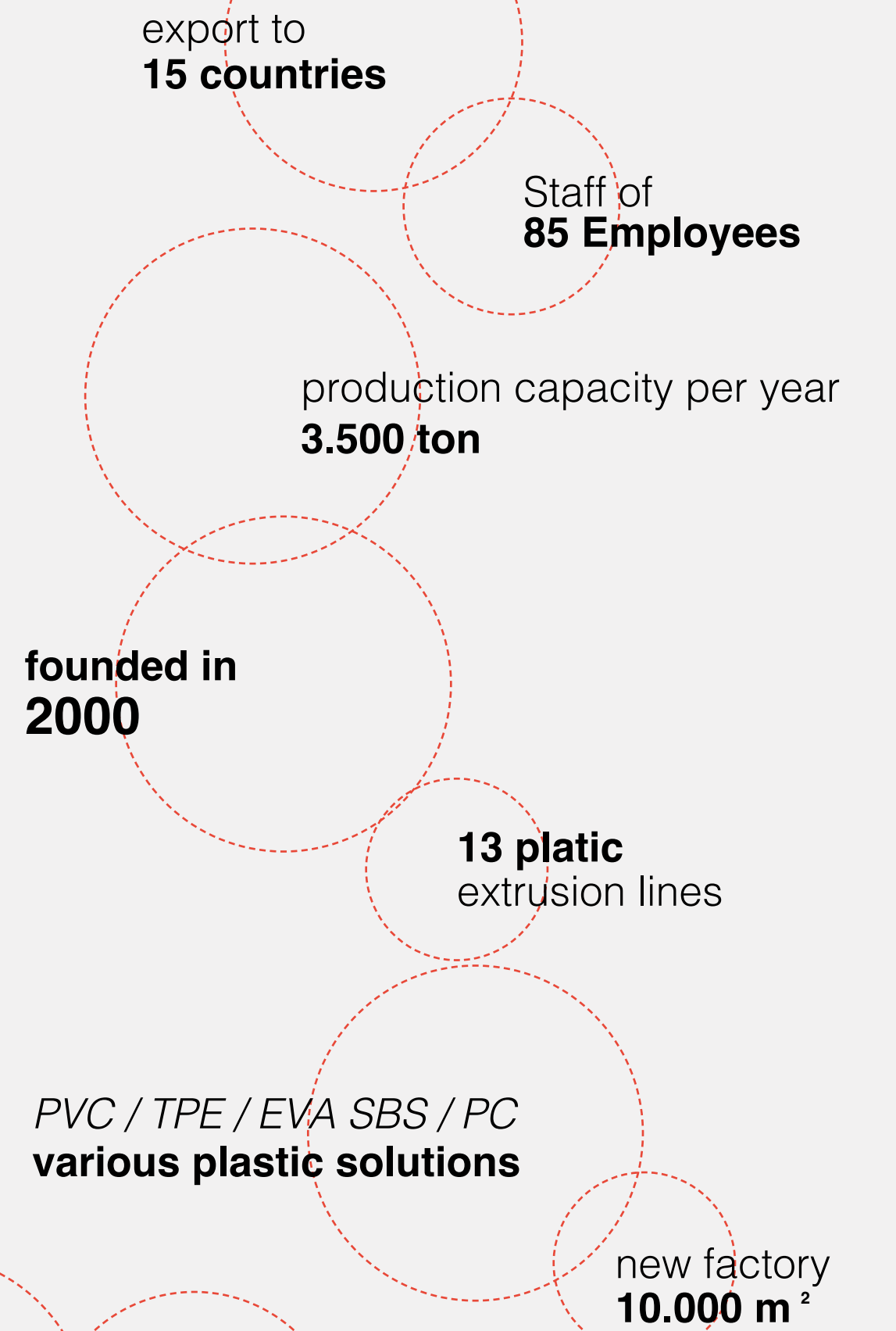
Certificated

- CE - RoHS
- ISO 14001:2004
- ISO 9001
- OHSAS 18001 CP2439

Magnet
5 extrusion lines

Molding
department

22 years of **R%D** experience



Sealings For Shower Cabine

Since 2008 we are specialized in producing showercabine gaskets.

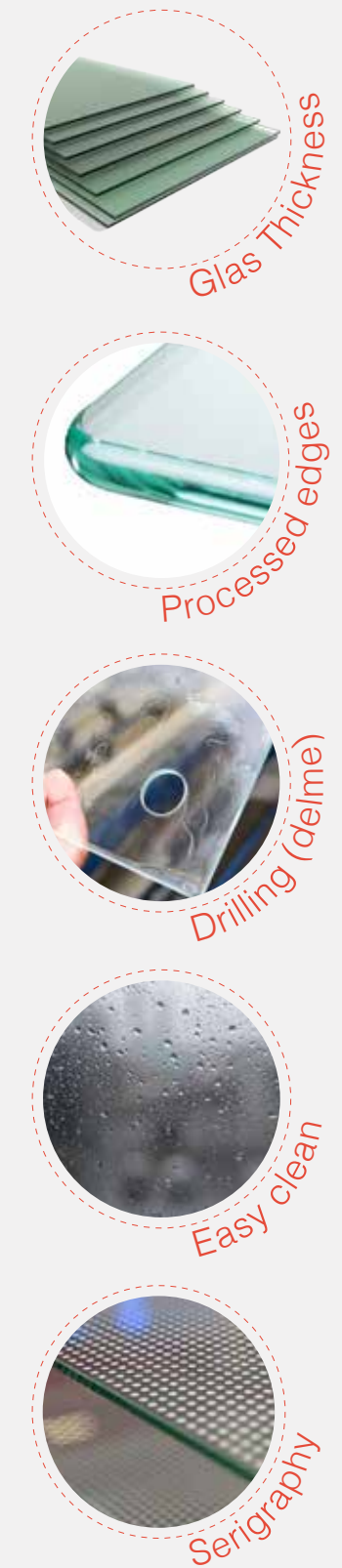
Customized solution and problem solving are key factors in service for our customers. Together with good quality, fast support, short production and delivery times we aim to be a valuable business partner for you.

Soft Sealing Group

Magnetic Sealing Group

Sealing Group

Proflat Group



Glass

Our Production is equipped with a lot of different machines to produce the glass exactly according to the needs of our customer.

Edging, Drilling, Easy Clean (Nano) and printing treatments are available. Further investments to increase our production diversity and capacity are already in planning.

Export Sales

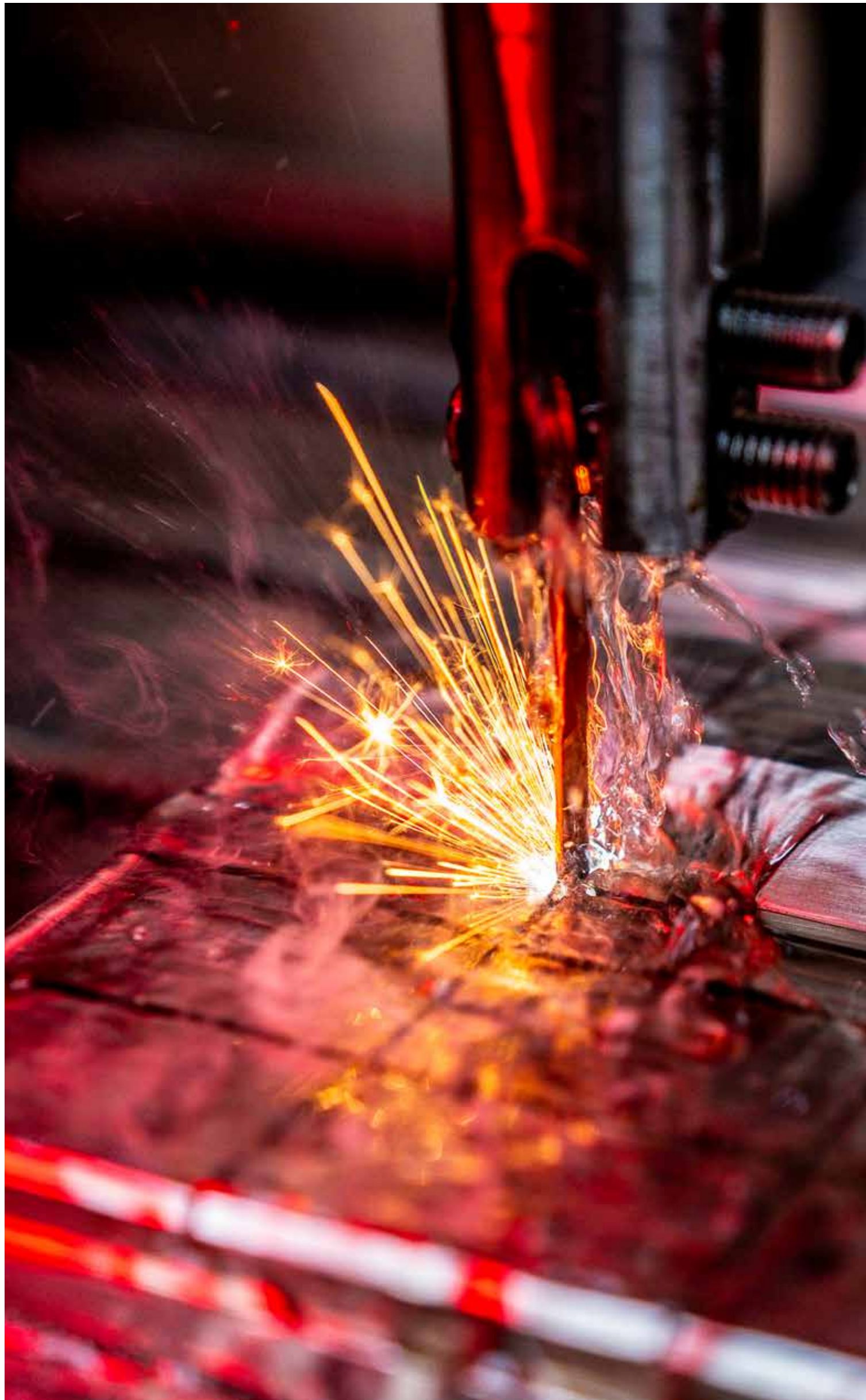
“Tell me your customers and I will tell you what kind of company you are”



We proudly supply the leaders of the shower cabine industry all across europe...



Ever since 2000 we have specialized in the production of Sealings for Shower Cabinets and Glass. The exponential growth of our company brought with it the ability to triple our production capacity as well as reaching more than 15 countries worldwide.



From zero to hero

With more than 22 years of experience in plastic engineering our team will develop the product you need from start to finish.

This includes designing the profile/ gasket and the mould together with our R&D Department.

After that, producing the tools accordingly in the molding department then running the trials and preparing the ISIR documents and finally launching the serial production.

From Zero to hero everything is in our hands.

Plastic

QUALITY CONTROL

INFORMATION

New Projects

Initial samples test report (ISTR)

Serial Production

Quality Control Management (ISO 14001/ ISO 9001)

Traceability of Production with lot numbers on packaging label

Plastic



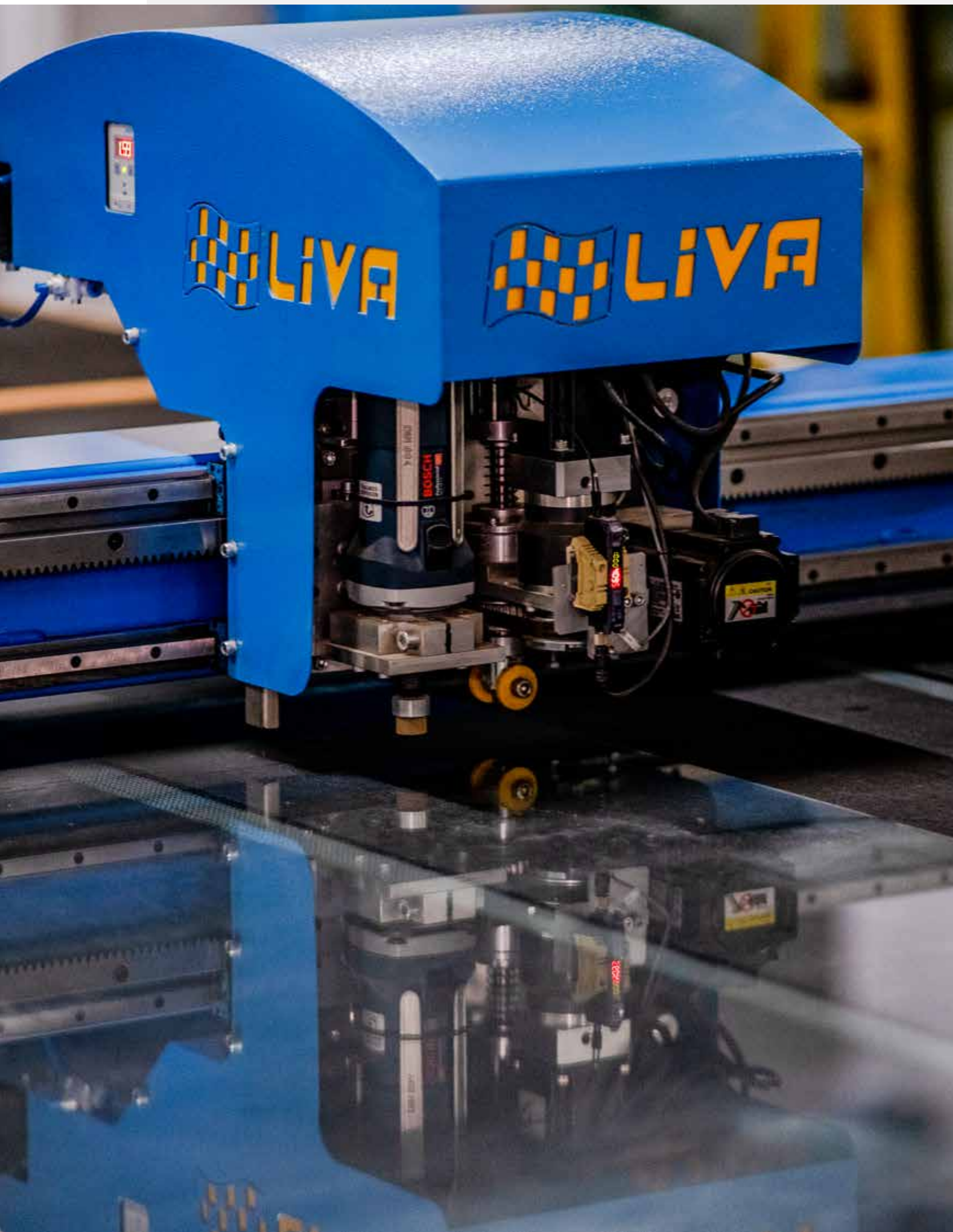
For one year we store counterparts of production, so we can compare and measure in case of reclamation.

Products in every single box is tested to ensure quality standards. Various durability tests are applied, such as breaking, twisting and pulling tests. Every batch is measured under shadowgraph in addition to manual caliper control.



Glass Factory





Glass Factory



Erens wide base of customers is from the showercabine industry. Since more than 10 years we also sold glass a trade product. Now with the increasing export business of Pvc profiles and gaskets to the customers in western Europe we also want to supply glass in this region. But to connect with them we needed our own tempered glass production to ensure we can fulfill the high expectations of this market. Now here we are to enter a new milestone in our company's history.

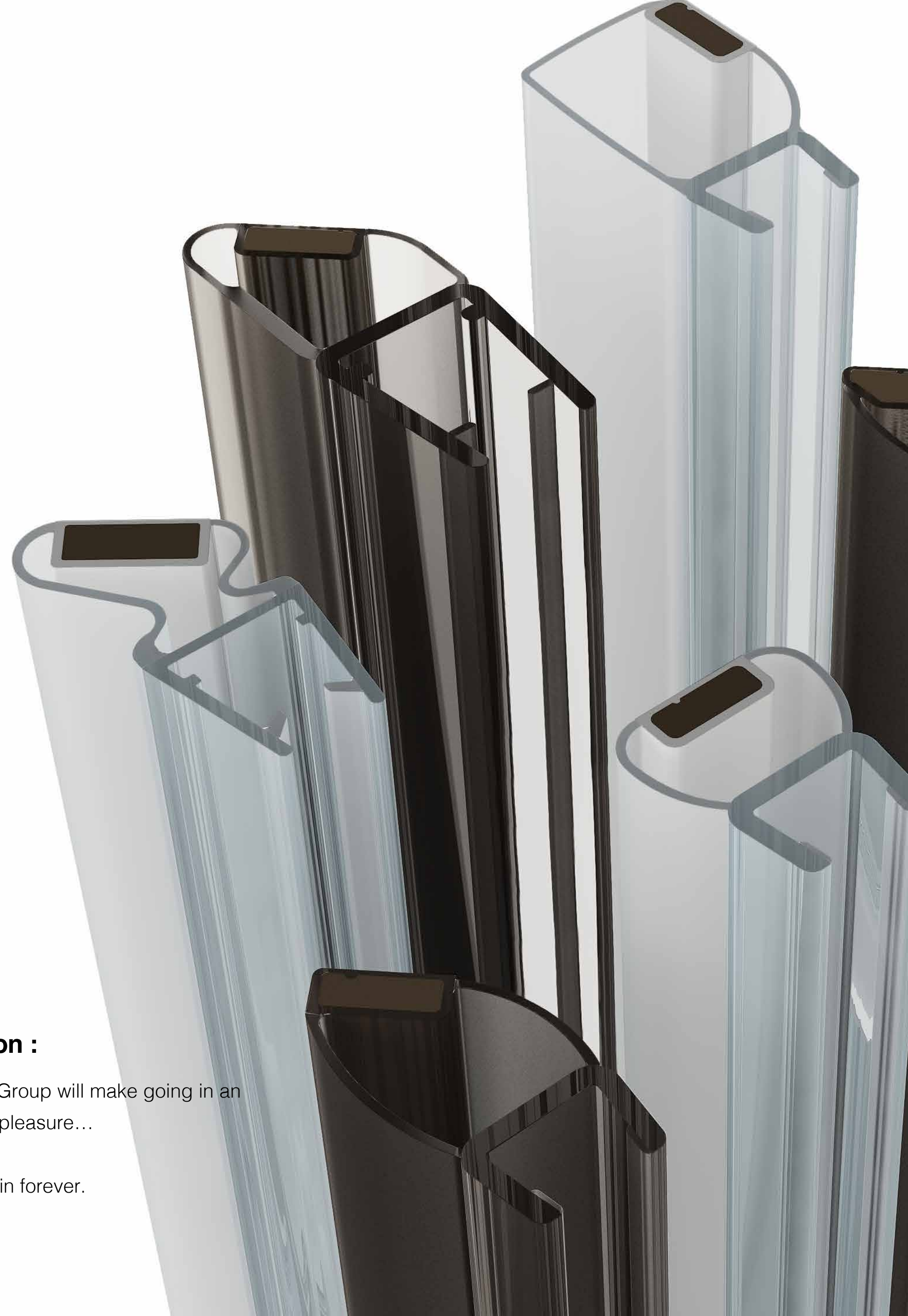
Standart production of
4,5,6,8 mm glass..



Automatic double edge line.



Liva cutting machine.



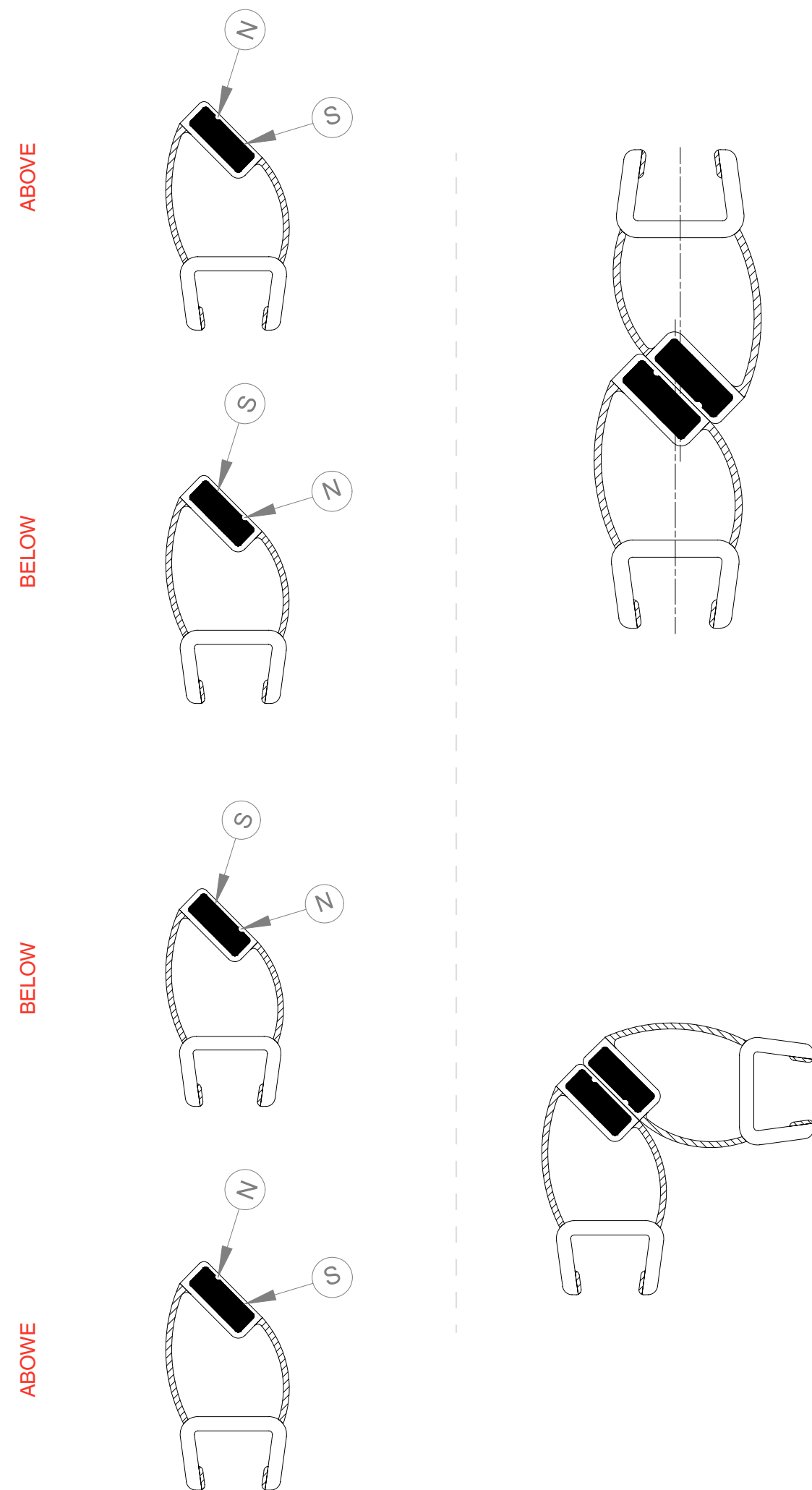
Simple Perfection :

Our Magnet Sealing Group will make going in and out of your shower a pleasure... unless you are water. Then you are sealed in forever.

MF

Magnet Sealing Group

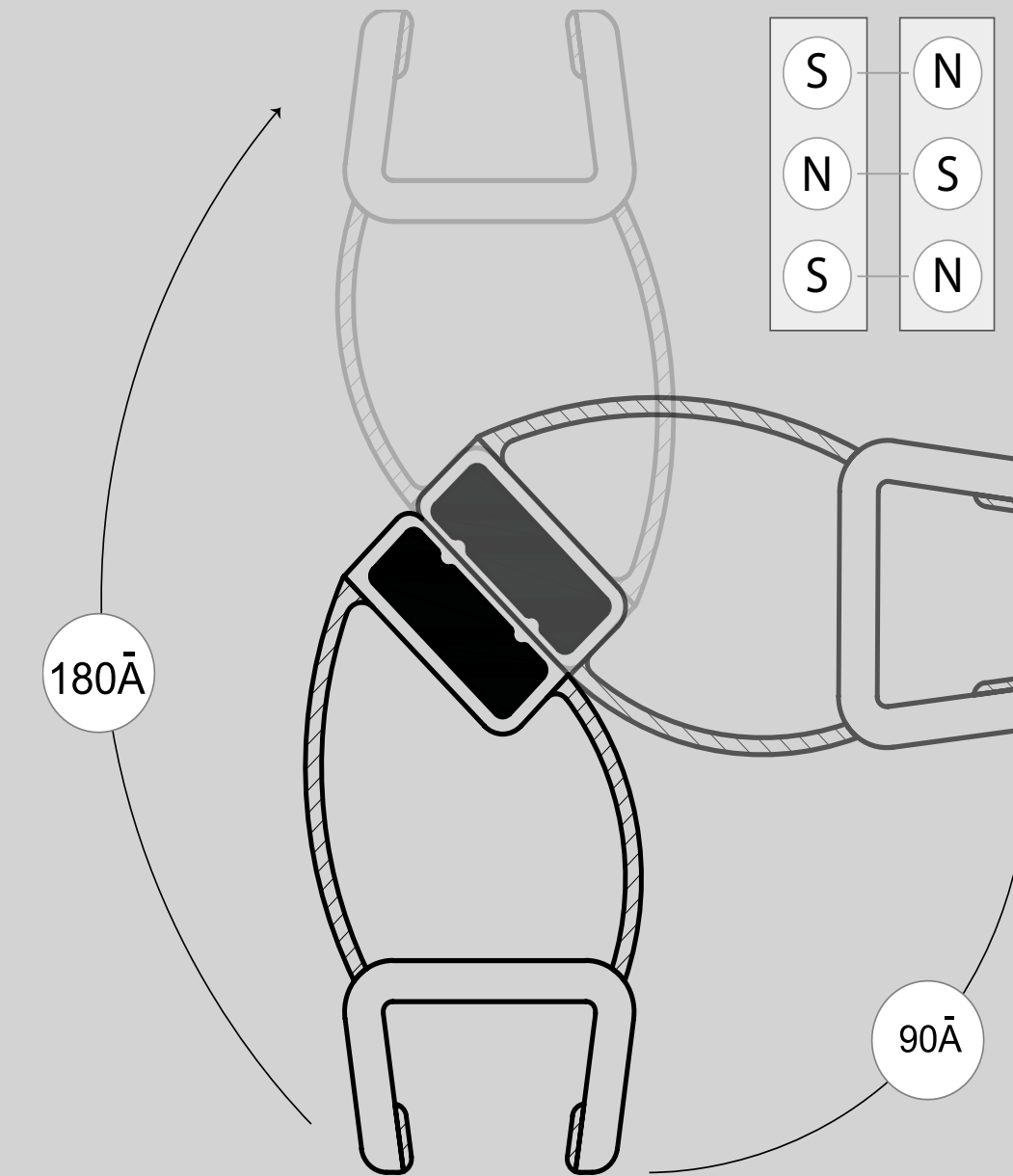
Bipolar Magnets



With Bipolar Magnets you need to have right and left polarized Magnets.

This means two different types of references.

Reversible Magnets



With our reversible magnets you can use one reference for both sides. There will be no need for left or right magnet type.

high
gauss

crystal clear
transparency

multiple colour
options

Details

Magnetic Sealing Group

With 17 extrusion lines, we can provide you with various Magnetic Shower Seals and Gaskets. Our gaskets are extruded from high quality PVC, but we are able to utilize any additional material you require. The core inside the magnetic seal is our own production which can be a single, double or tripolar magnet depending on your needs.

- Antibacterial
- Minimum uses before deformation: 40.000
- UV Resistant

COLORS



RIGID PVC



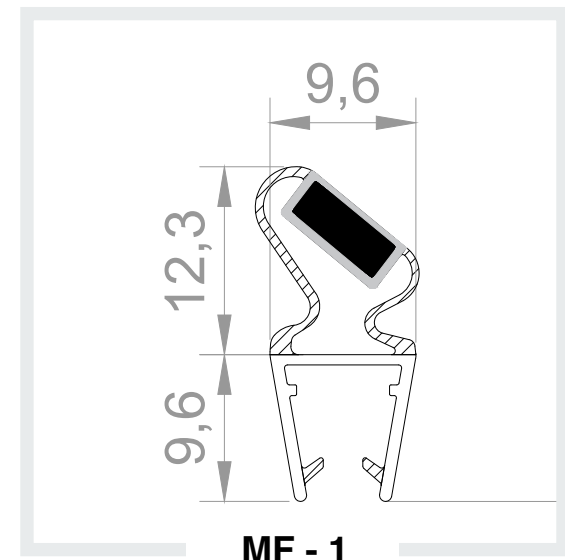
SOFT PVC



MAGNET

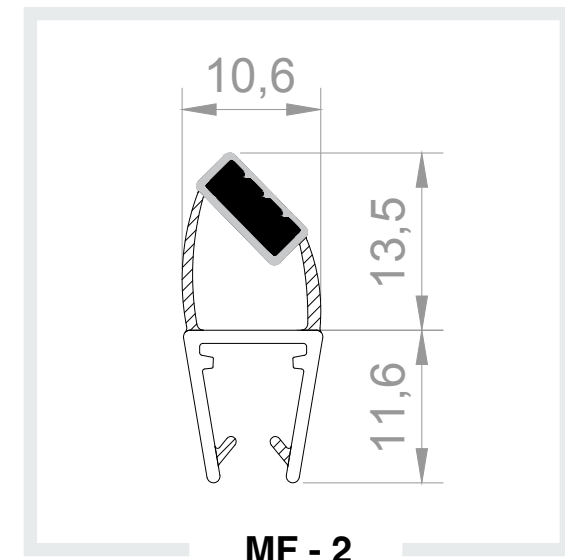


COATING



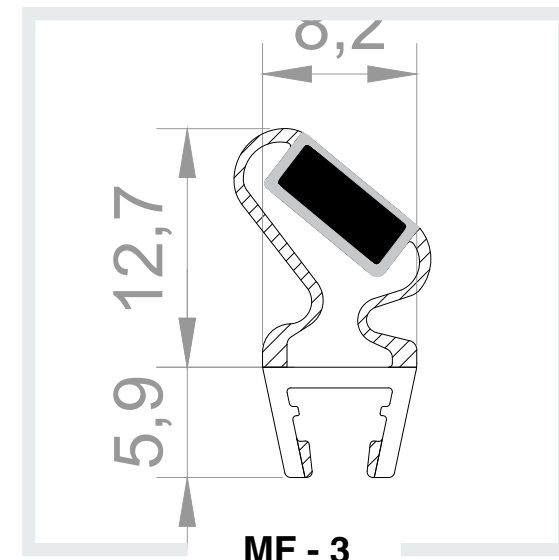
MF - 1

Glass : 4 - 5 - 6



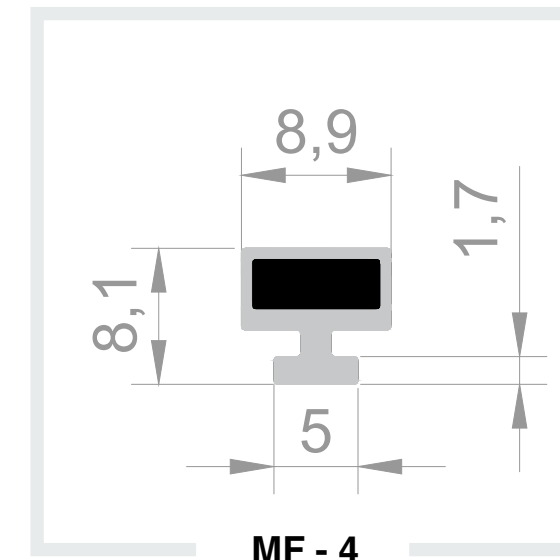
MF - 2

Glass : 4 - 5 - 6



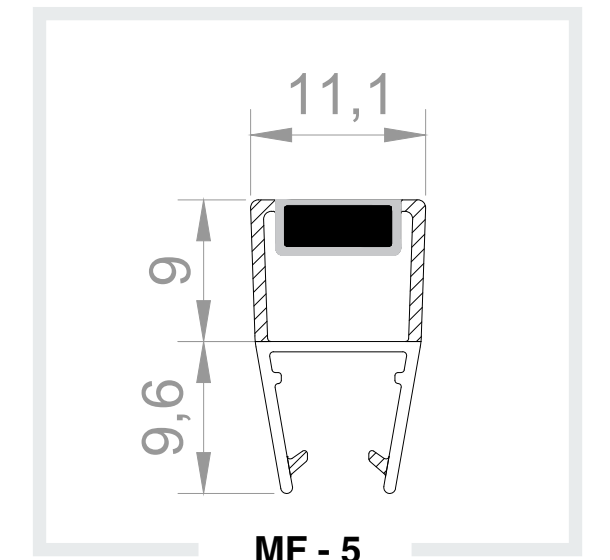
MF - 3

Glass : 4 - 5 - 6



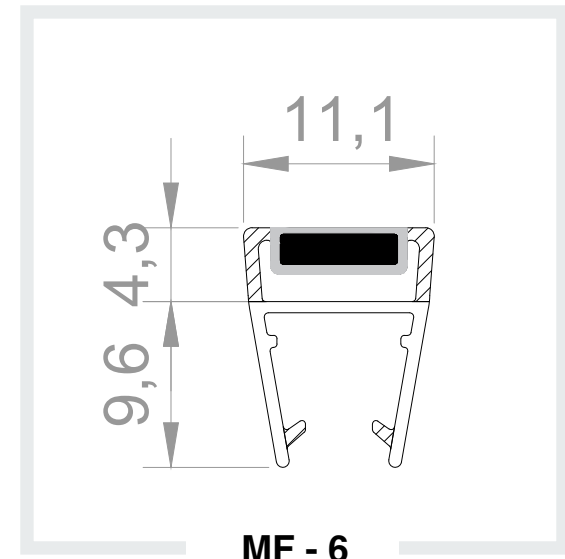
MF - 4

Glass :



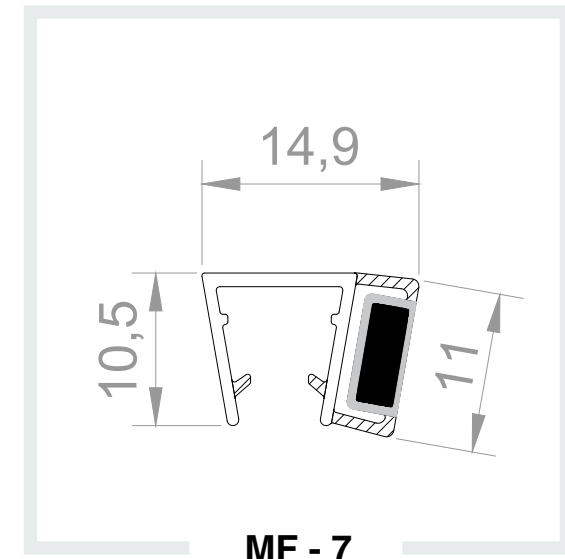
MF - 5

Glass : 4 - 6 - 8



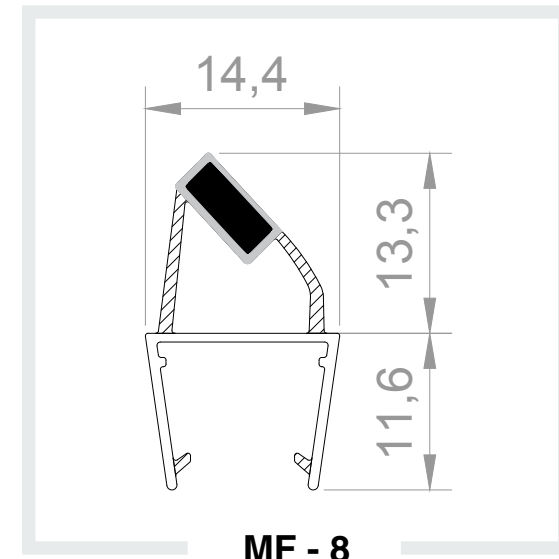
MF - 6

Glass : 4 - 5 - 6 - 8



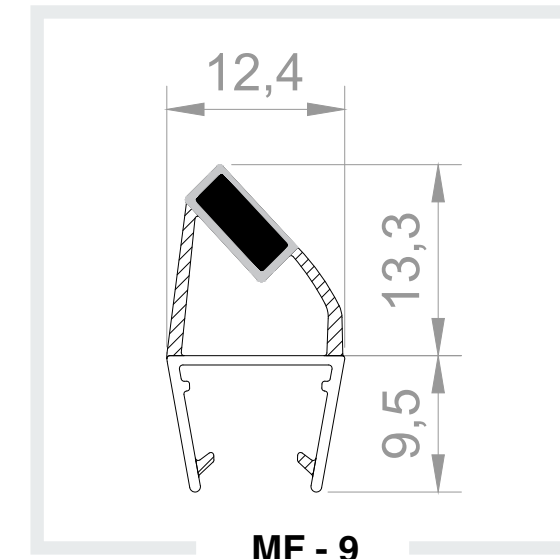
MF - 7

Glass : 5 - 6 - 8



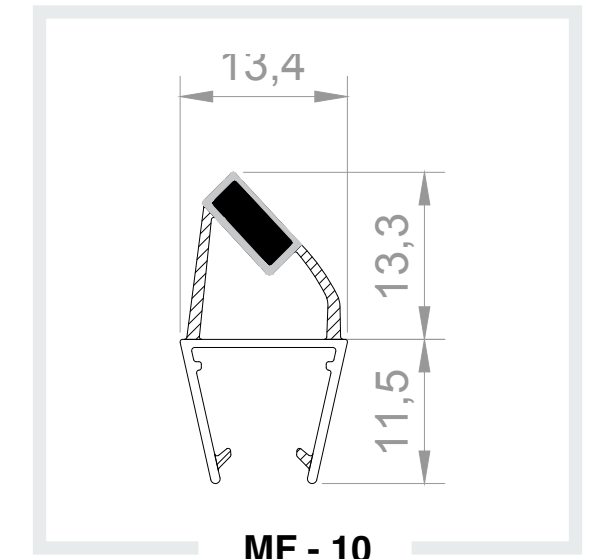
MF - 8

Glass : 12 - 14



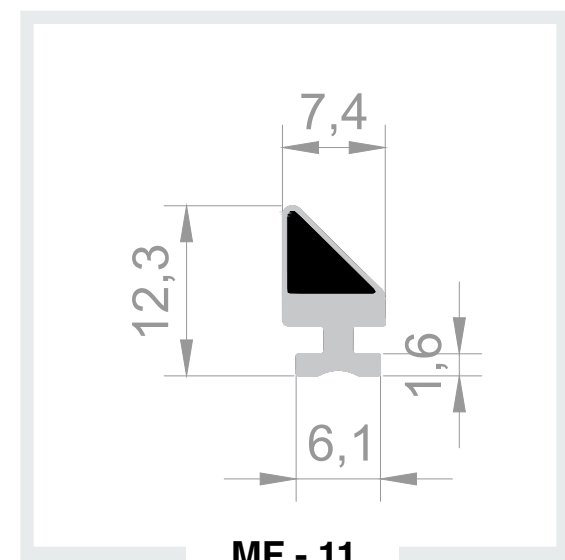
MF - 9

Glass : 8 - 10



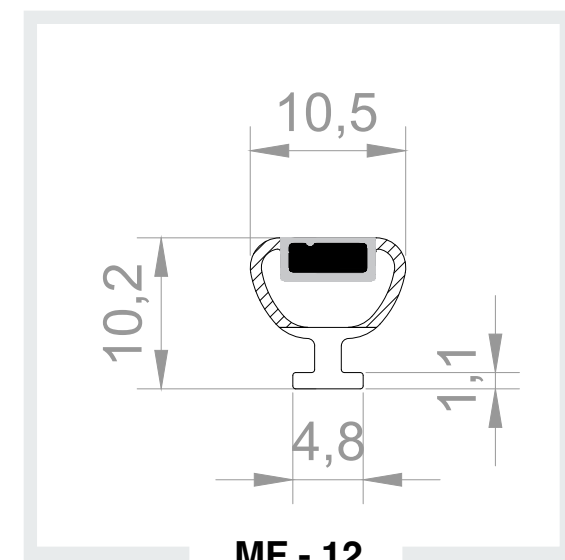
MF - 10

Glass : 8 - 10



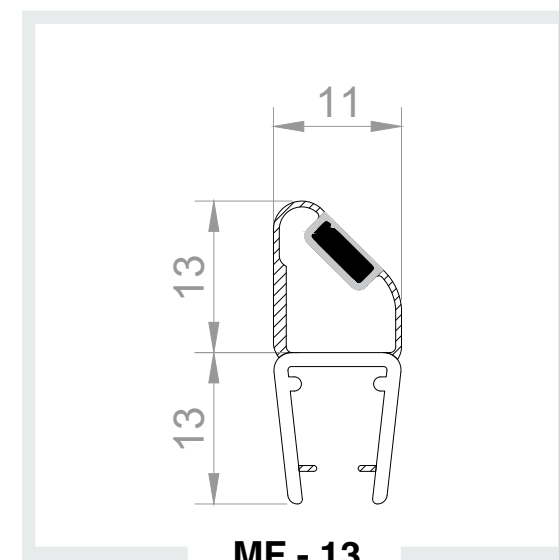
MF - 11

Glass :



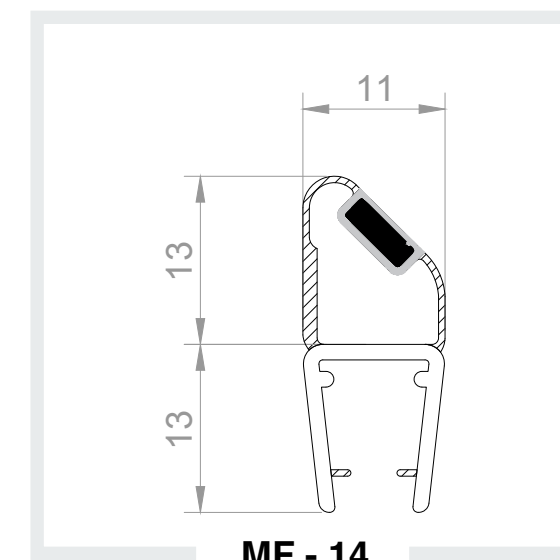
MF - 12

Glass :



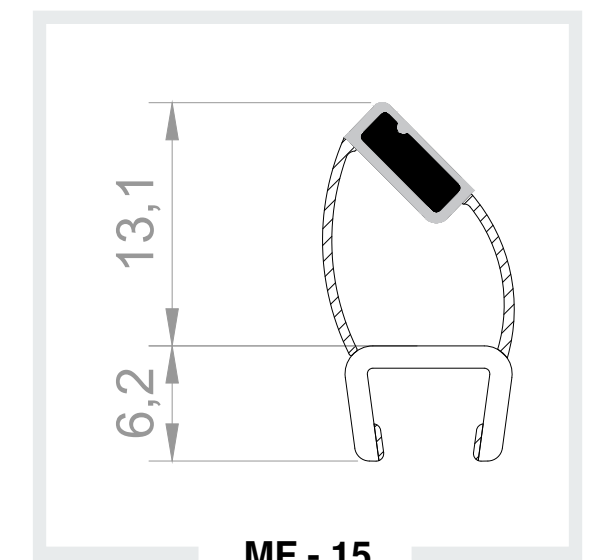
MF - 13

Glass : 4 - 5 - 6



MF - 14

Glass : 4 - 5 - 6



MF - 15

Glass : 5 - 6

COLORS



RIGID PVC



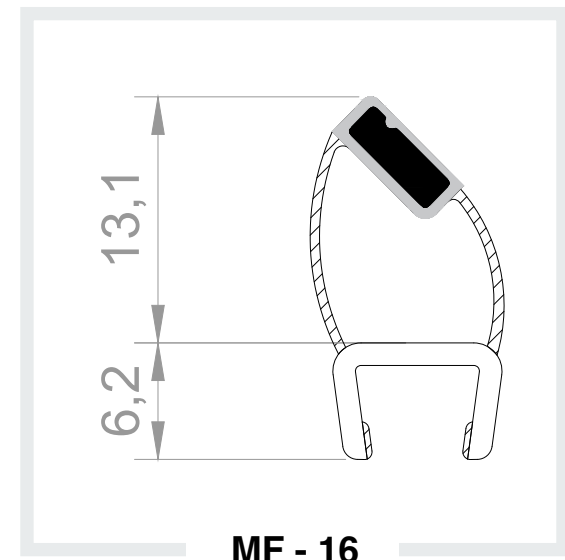
SOFT PVC



MAGNET

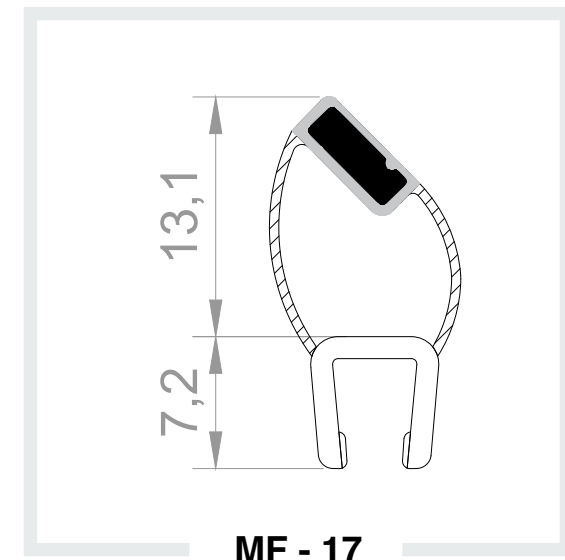


COATING



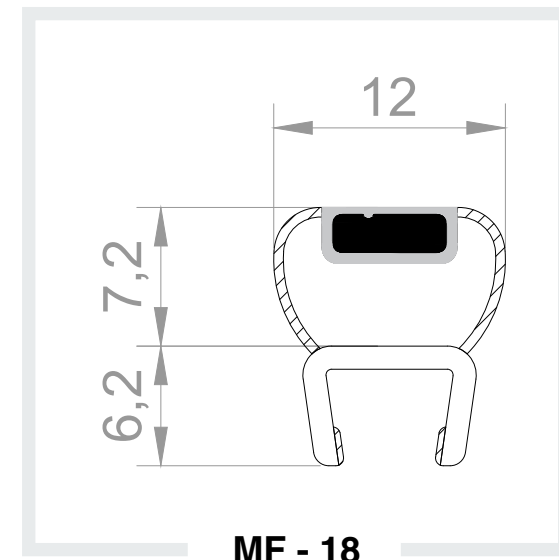
MF - 16

Glass : 5 - 6



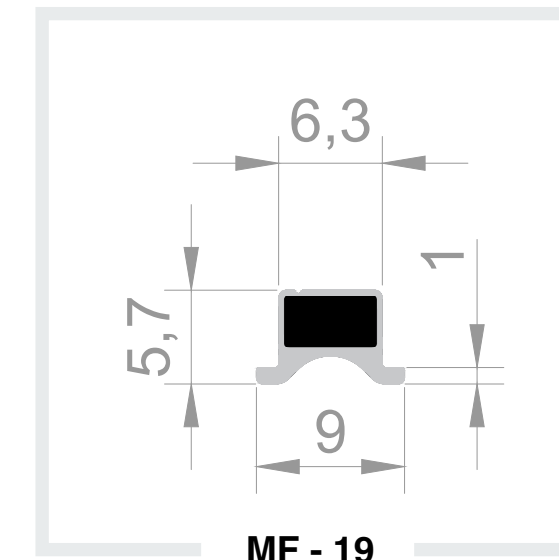
MF - 17

Glass : 4



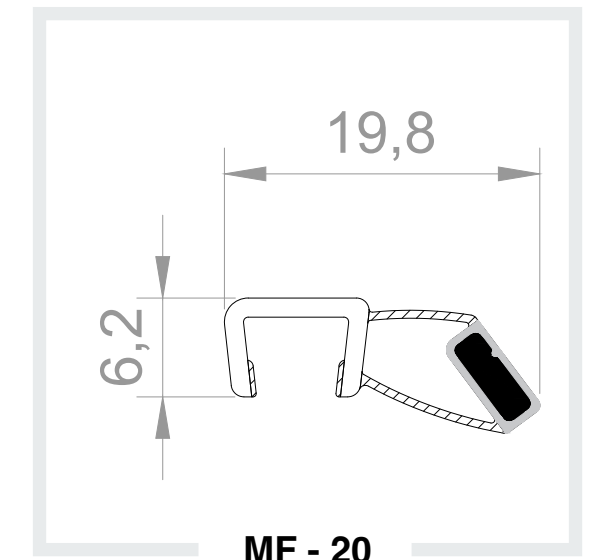
MF - 18

Glass : 5 - 6



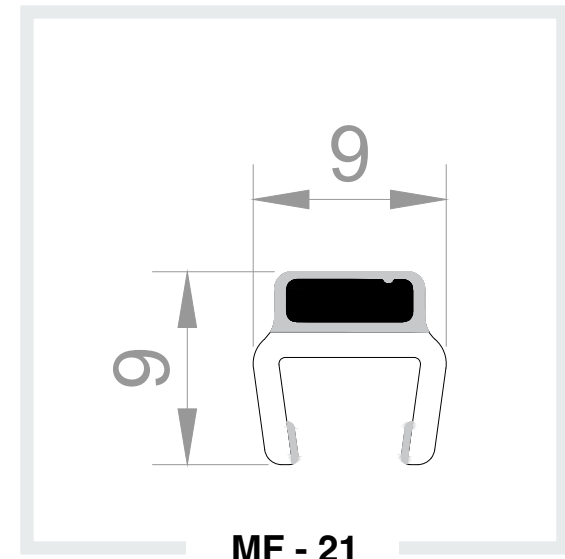
MF - 19

Glass :



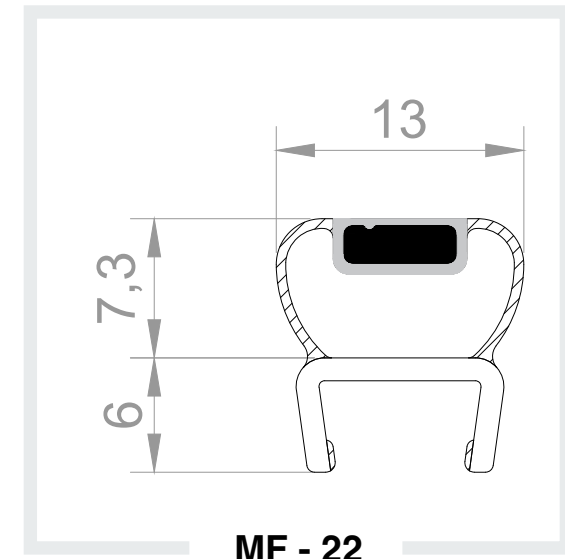
MF - 20

Glass : 5 - 6



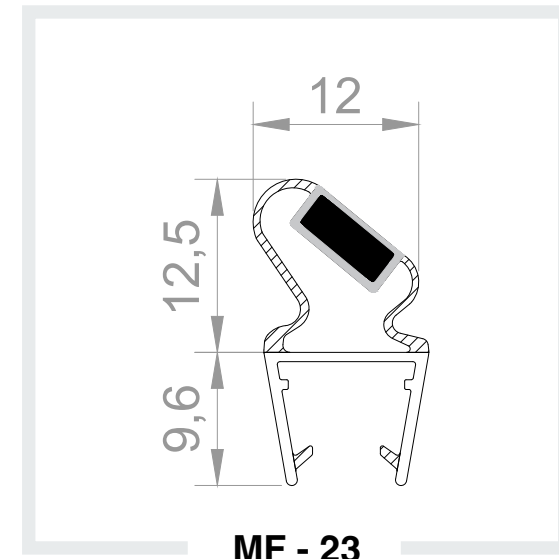
MF - 21

Glass : 5 - 6



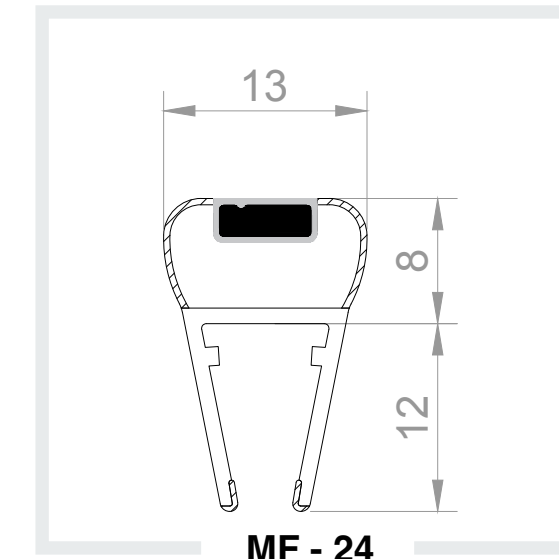
MF - 22

Glass : 8



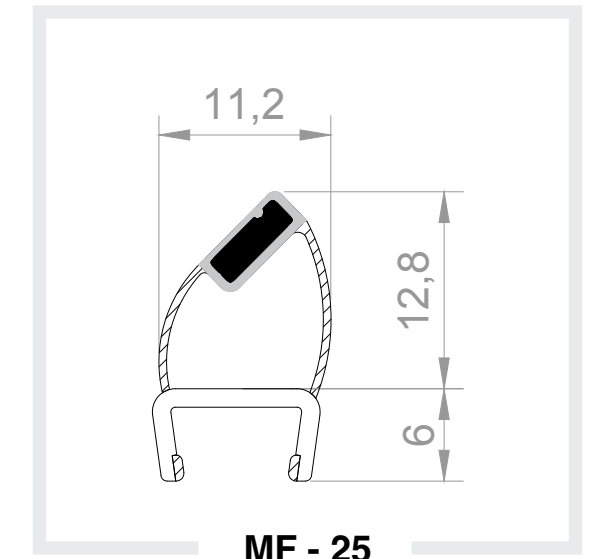
MF - 23

Glass : 8 - 10



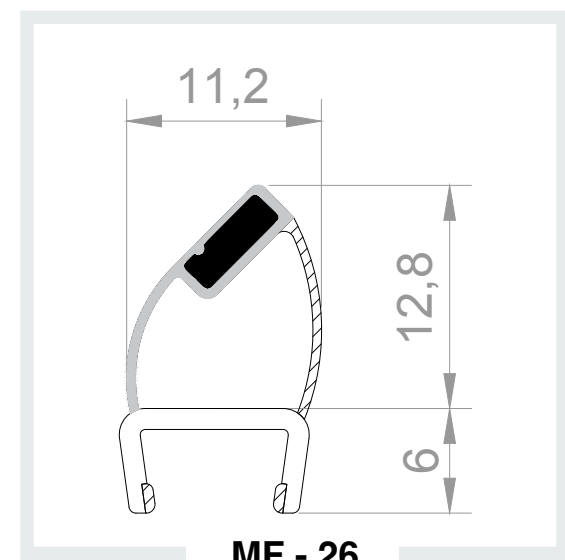
MF - 24

Glass : 4 - 5 - 6



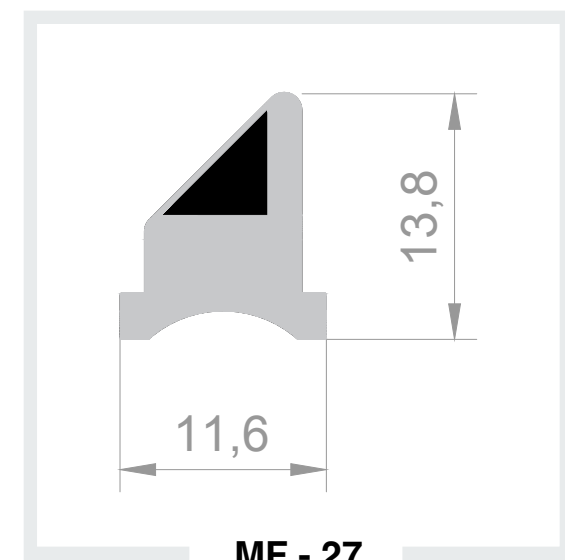
MF - 25

Glass : 8



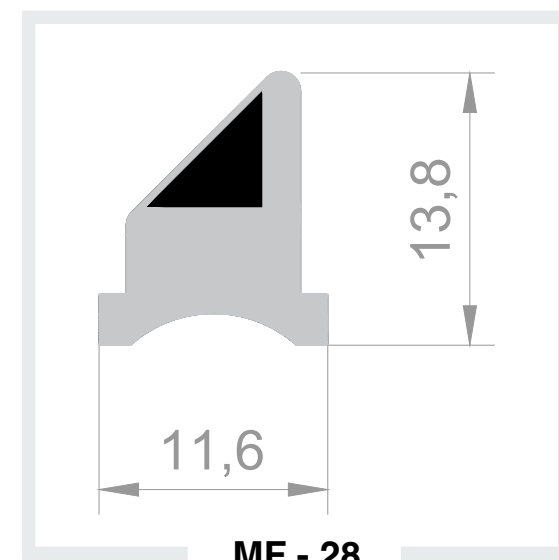
MF - 26

Glass : 8



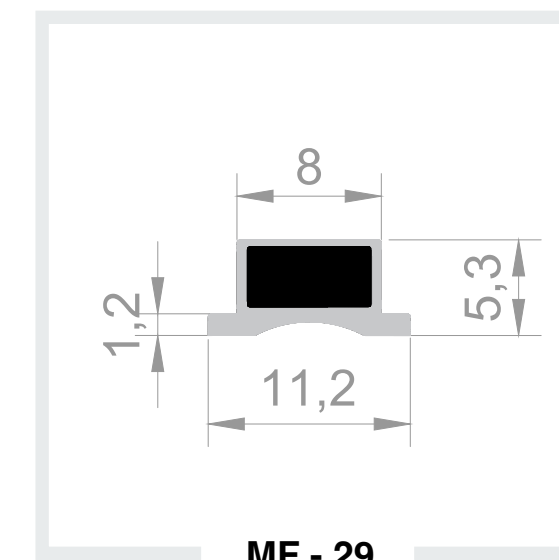
MF - 27

Glass :



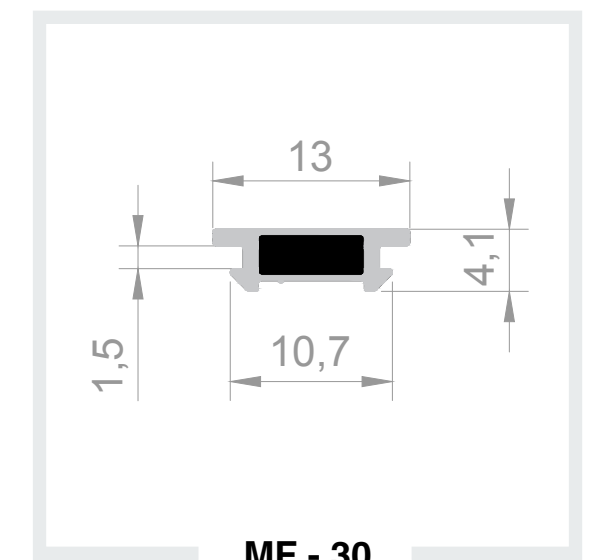
MF - 28

Glass :



MF - 29

Glass :



MF - 30

Glass :

COLORS



RIGID PVC



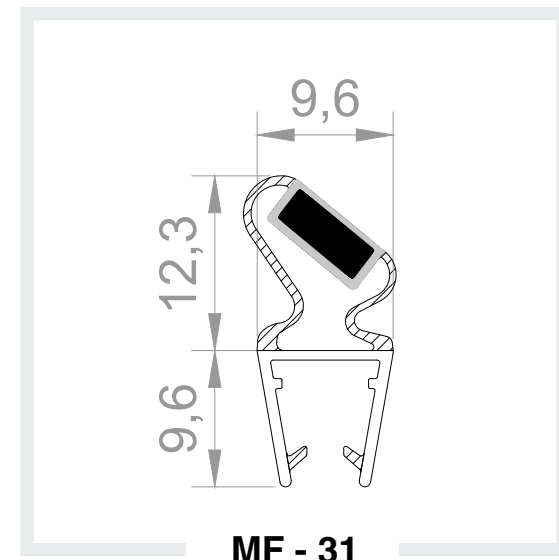
SOFT PVC



MAGNET

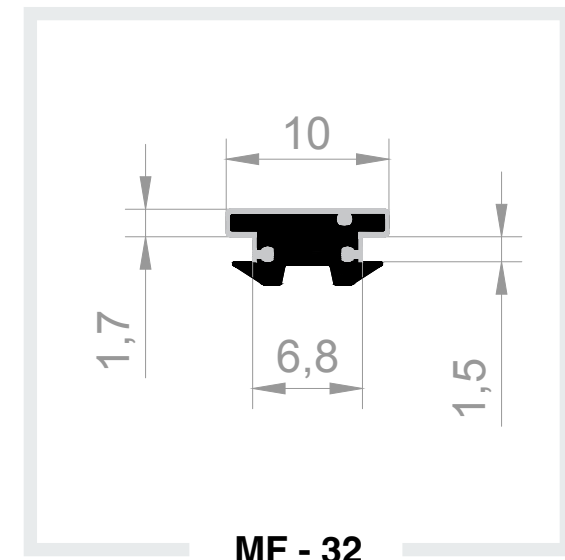


COATING



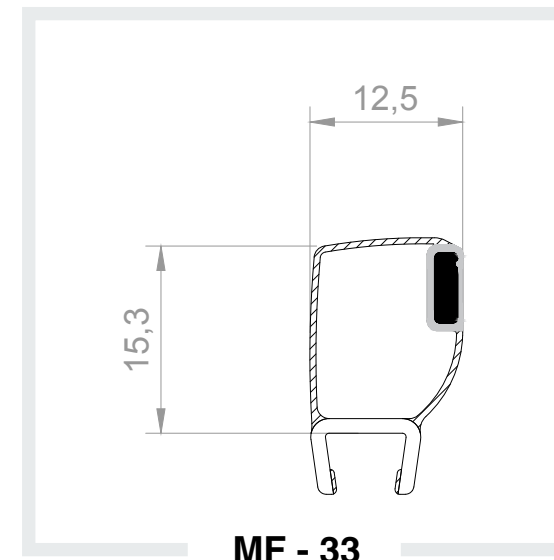
MF - 31

Glass : 5 - 6 - 8



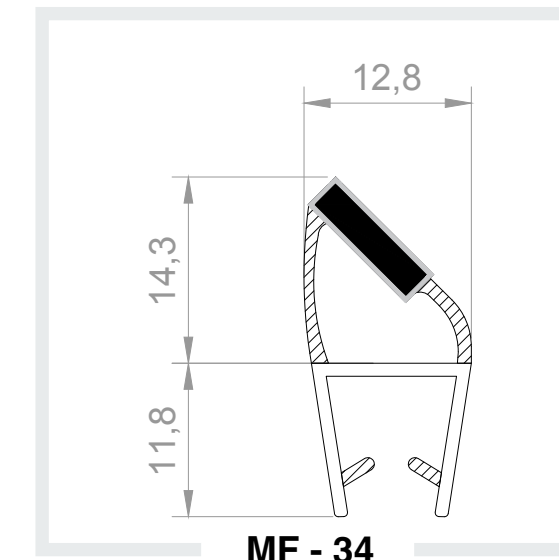
MF - 32

Glass :



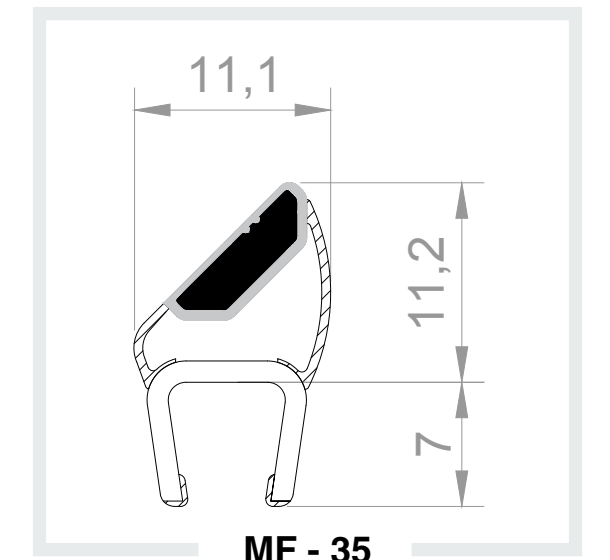
MF - 33

Glass : 5 - 6



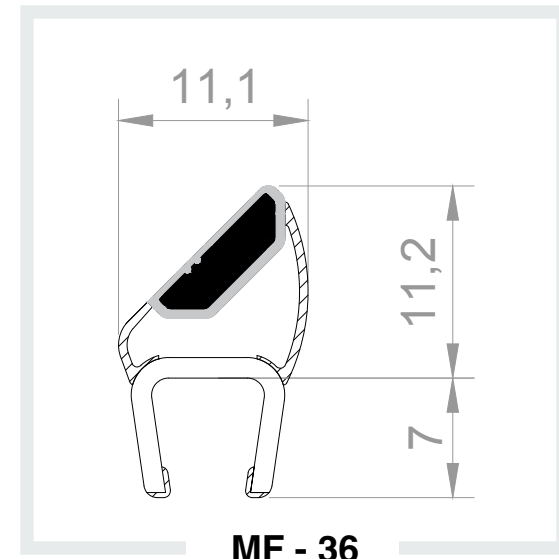
MF - 34

Glass : 8 - 10



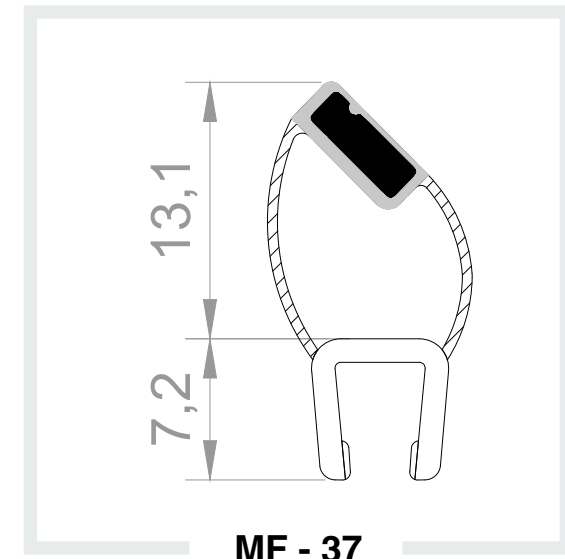
MF - 35

Glass : 5 - 6



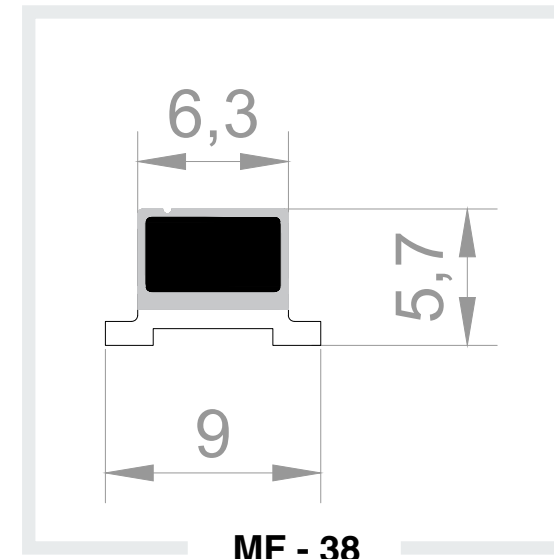
MF - 36

Glass : 5 - 6



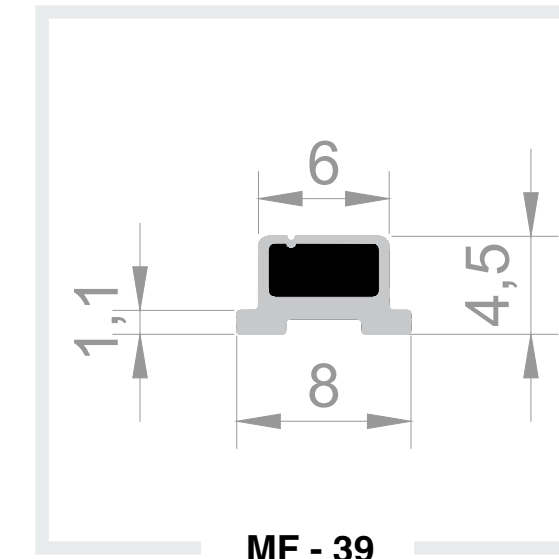
MF - 37

Glass : 4



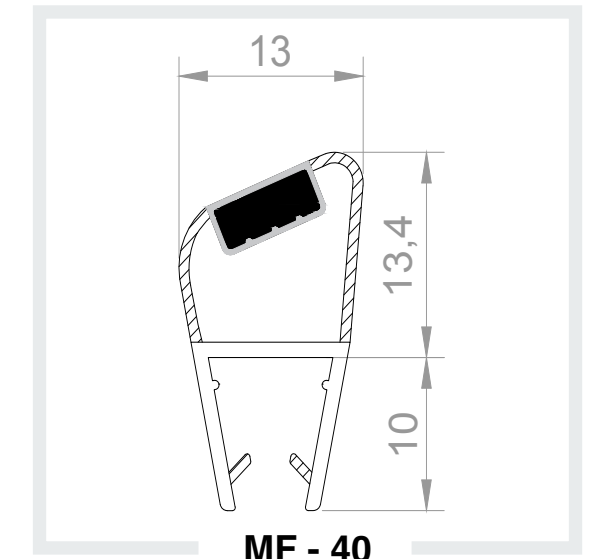
MF - 38

Glass :



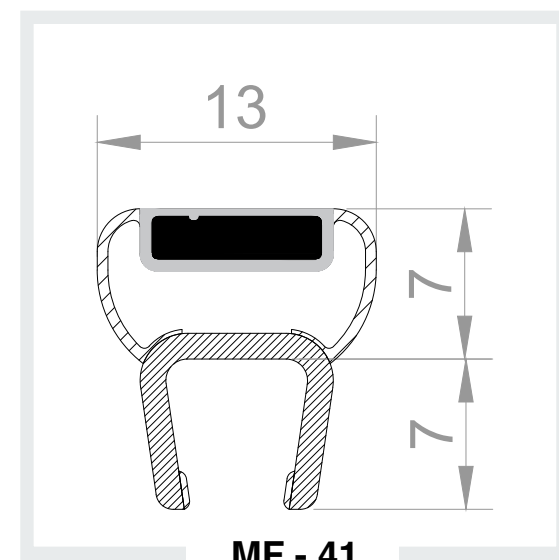
MF - 39

Glass :



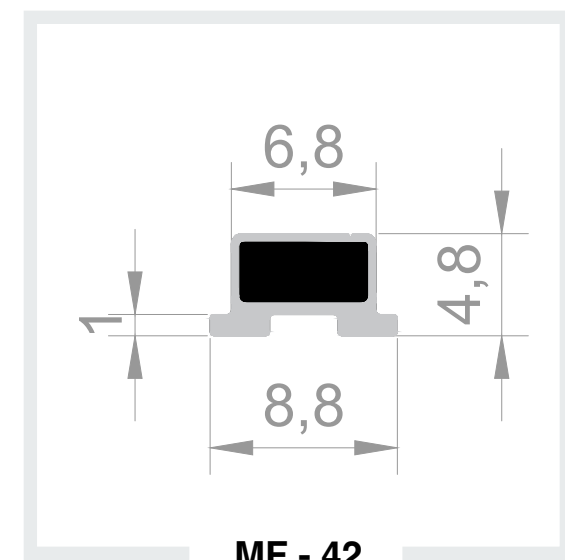
MF - 40

Glass : 6 - 8



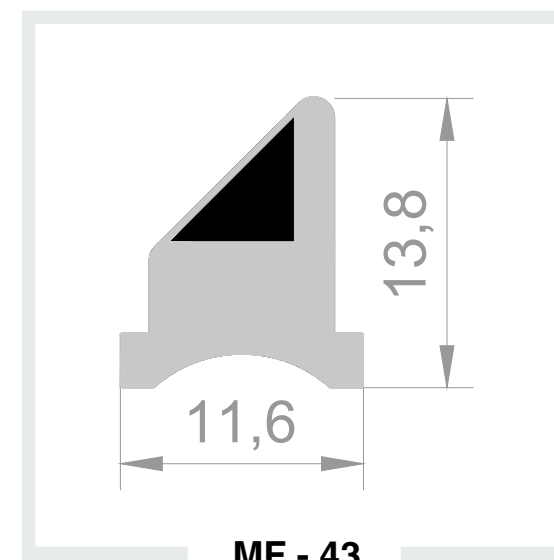
MF - 41

Glass :



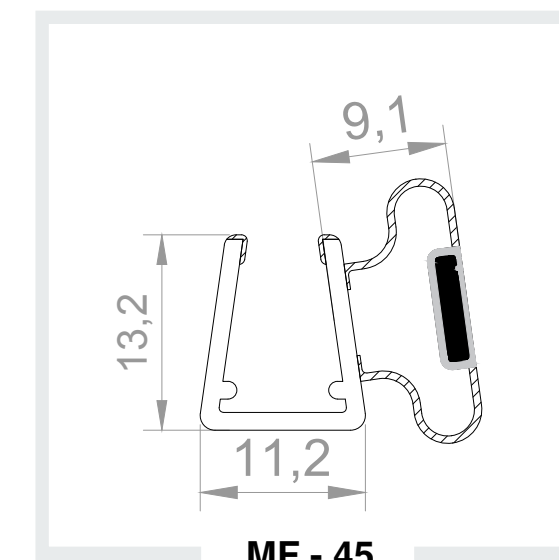
MF - 42

Glass :



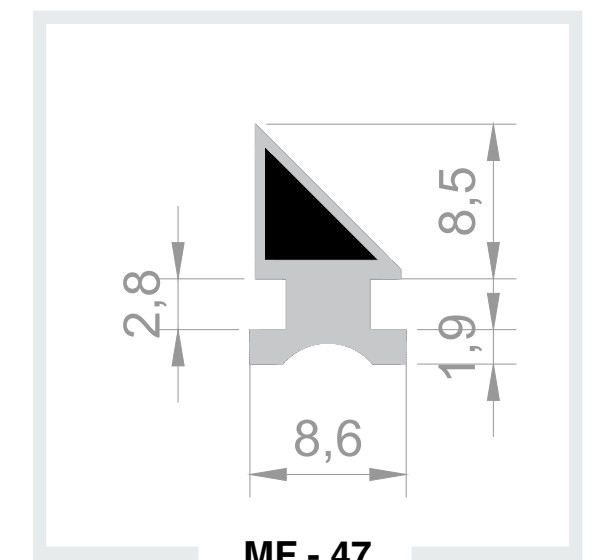
MF - 43

Glass :



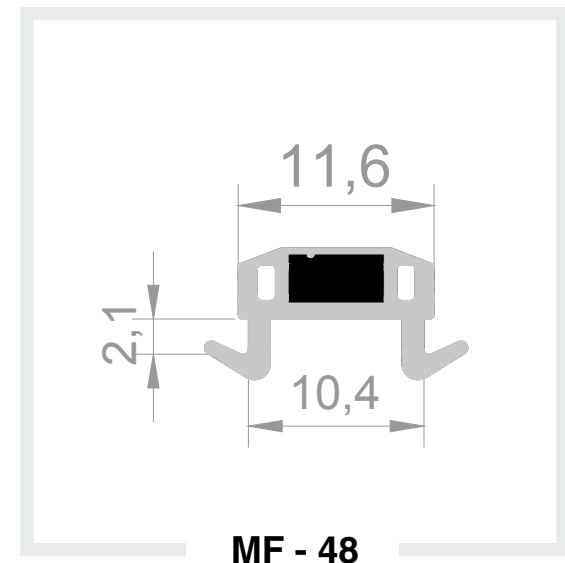
MF - 45

Glass :



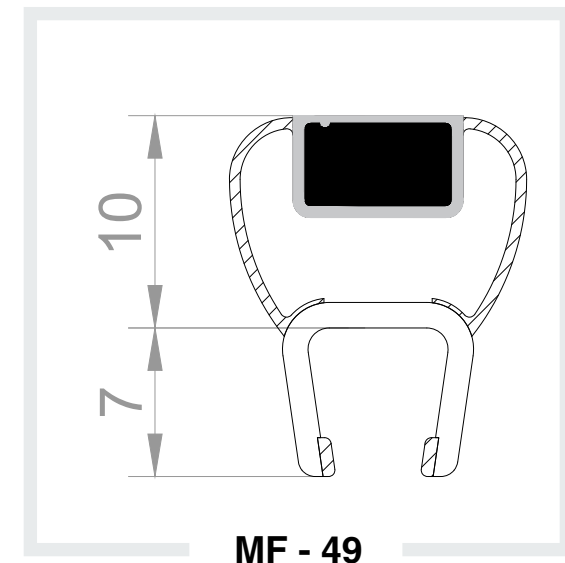
MF - 47

Glass :



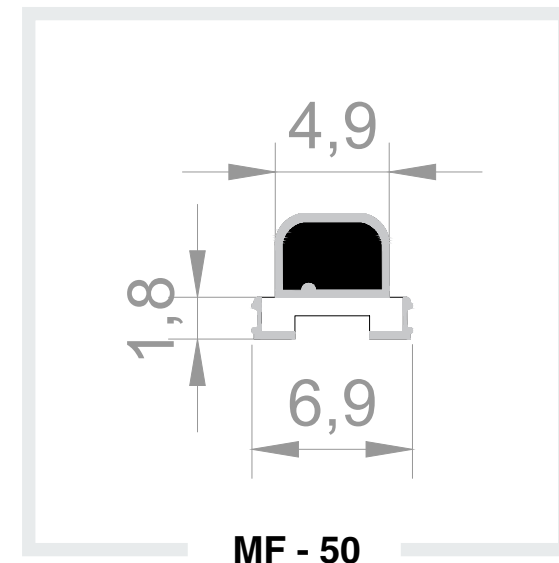
MF - 48

Glass :



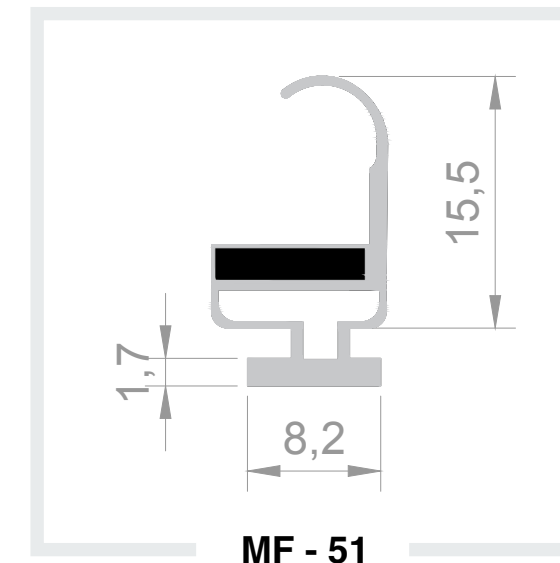
MF - 49

Glass :



MF - 50

Glass :



MF - 51

Glass :



MF - 52

Glass :

COLORS



RIGID PVC



SOFT PVC



MAGNET



COATING



MF - 53

Glass :



MF - 54

Glass :



MF - 55

Glass :



MF - 56

Glass :



MF - 57

Glass :



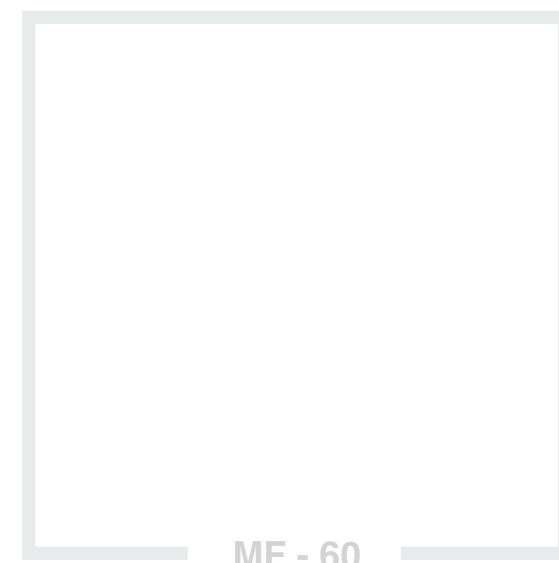
MF - 58

Glass :



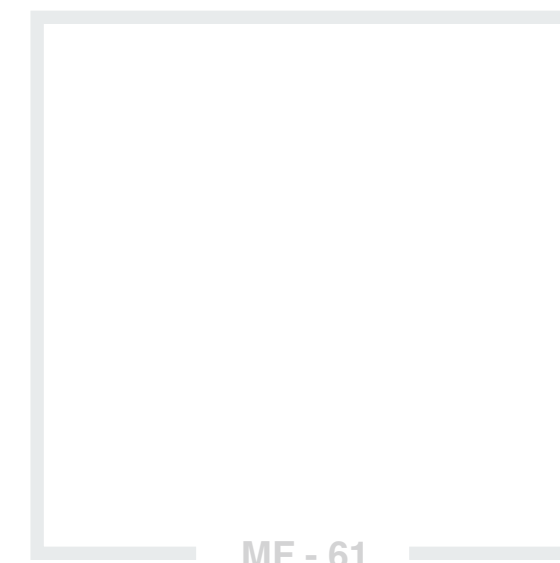
MF - 59

Glass :



MF - 60

Glass :



MF - 61

Glass :



MF - 62

Glass :



The New Norm:

We set a high bar that our biggest rival can't pass; Water.

SF

Sealing Group

Analytic approach to the waterproofing problem

Details

Sealing Group

The extruded plastic seals are an easy and effective way to ensure waterproofing in shower enclosures. Apart from standing the test of time over the last decades, it has proved itself as an affordable solution."

- UV Resistant,
- Antibacterial
- High Transparency
- Versatile and solution oriented molds
- Life expectancy: Minimum 40.000 uses.

Our analytic approach to this proven technique takes it a step further. Our usage of high quality, antibacterial materials and water tight design improves the water isolation. The smooth surface and high transparency will make a good looking shower enclosure a great one.

COLORS



RIGID PVC



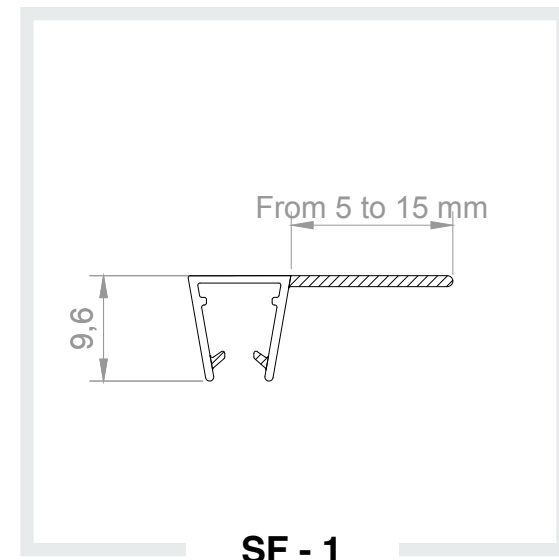
SOFT PVC



MAGNET

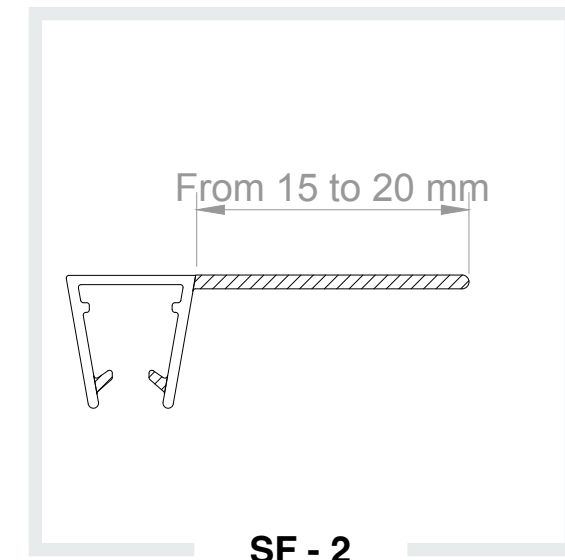


COATING



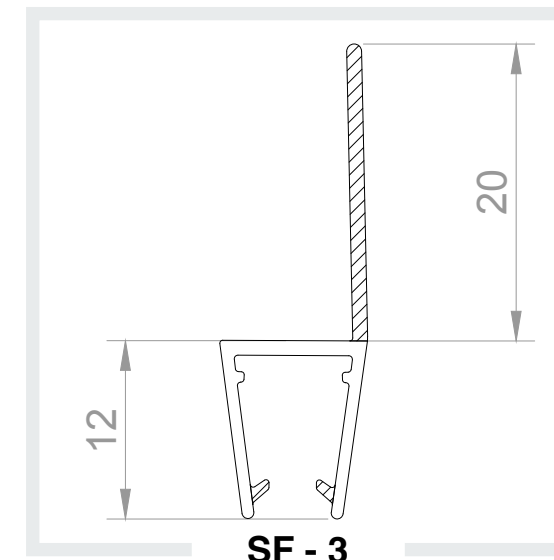
SF - 1

Glass : 4 - 5 - 6



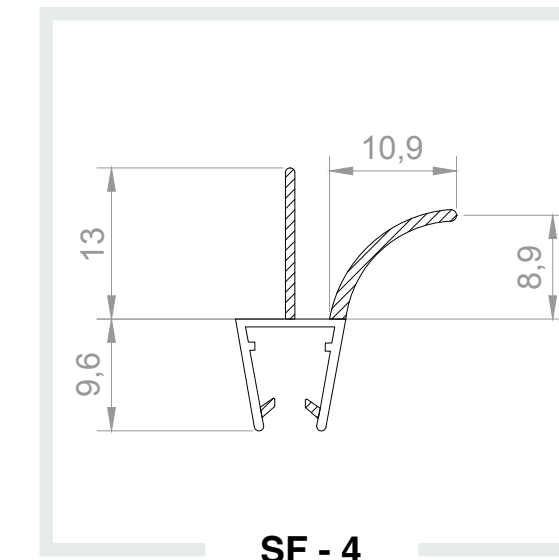
SF - 2

Glass : 4 - 5 - 6 - 8



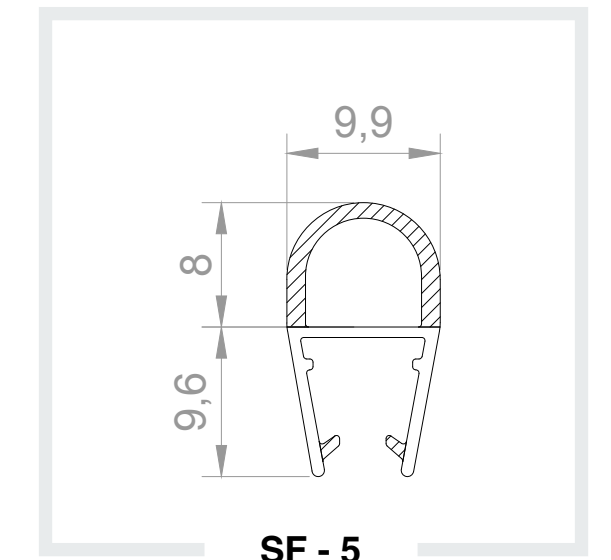
SF - 3

Glass : 4 - 5 - 6 - 8



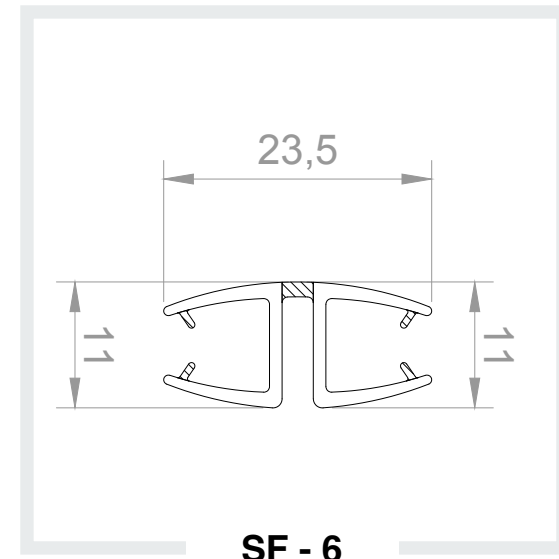
SF - 4

Glass : 4 - 5 - 6 - 8



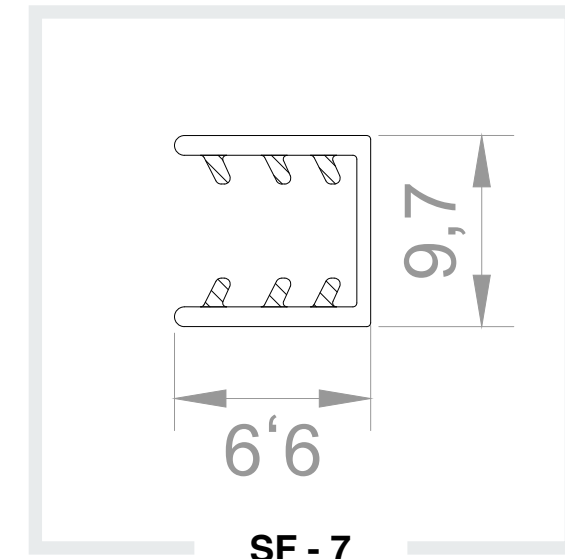
SF - 5

Glass : 4 - 5 - 6 - 8



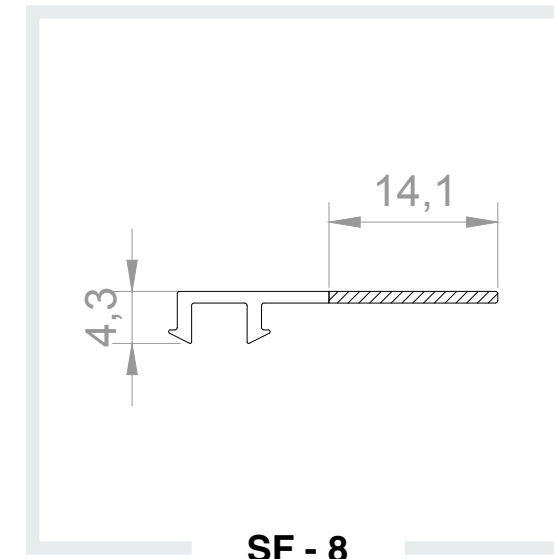
SF - 6

Glass : 5 - 6 - 8



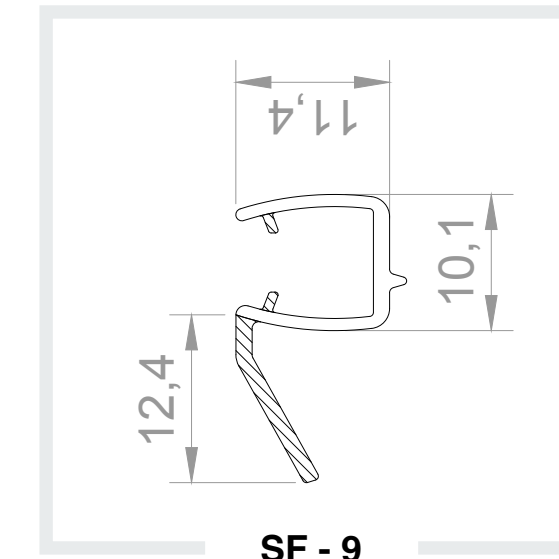
SF - 7

Glass : 6



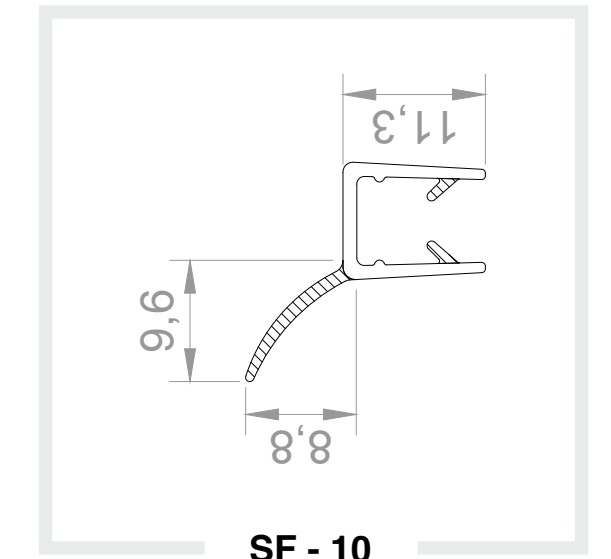
SF - 8

Glass :



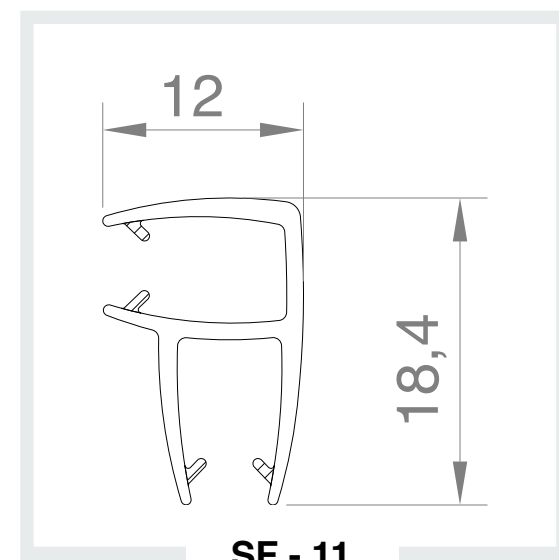
SF - 9

Glass : 4 - 5 - 6



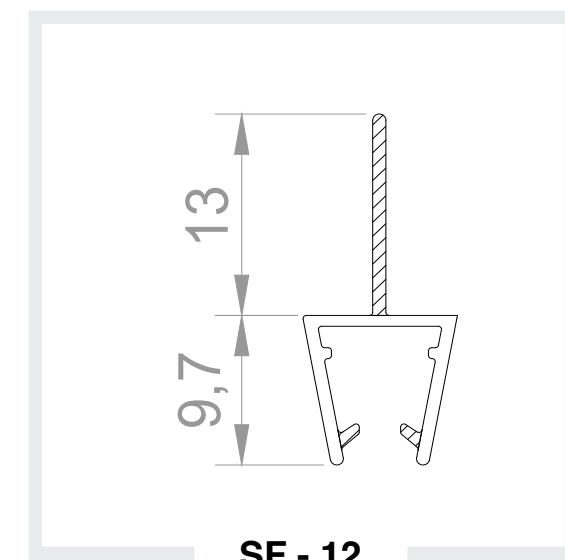
SF - 10

Glass : 4 - 5 - 6 - 8



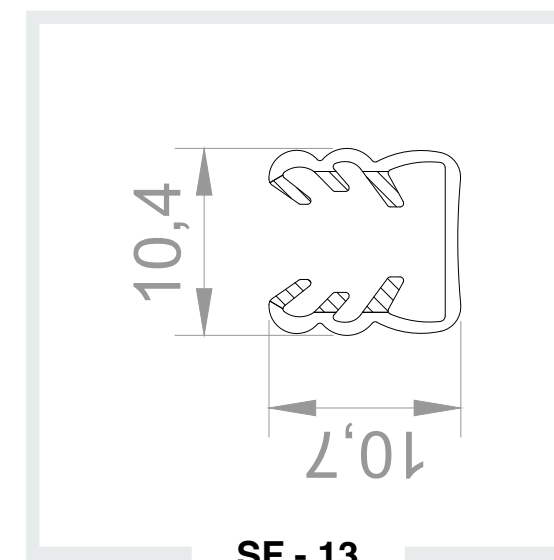
SF - 11

Glass : 5 - 6



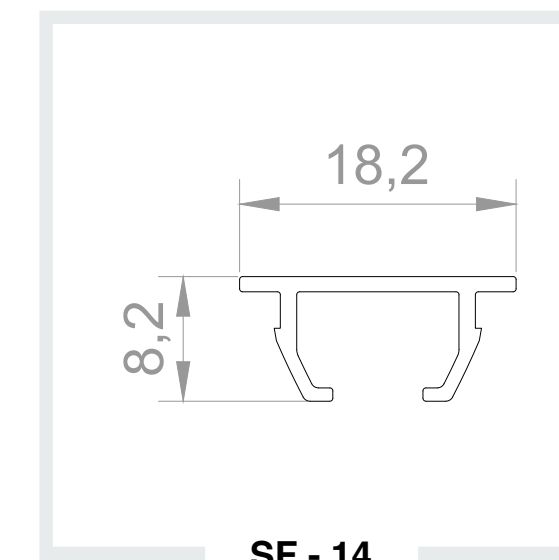
SF - 12

Glass : 4 - 5 - 6 - 8



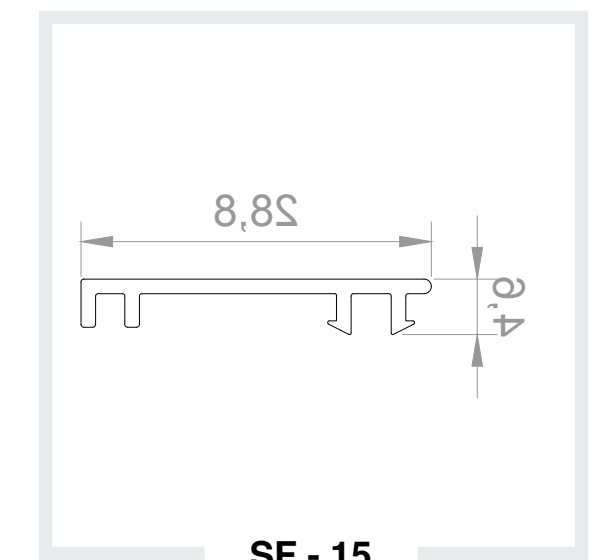
SF - 13

Glass : 6



SF - 14

Glass :



SF - 15

Glass :

COLORS



RIGID PVC



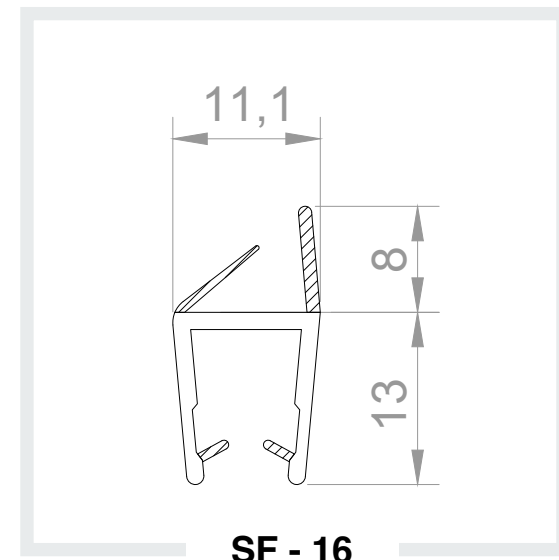
SOFT PVC



MAGNET

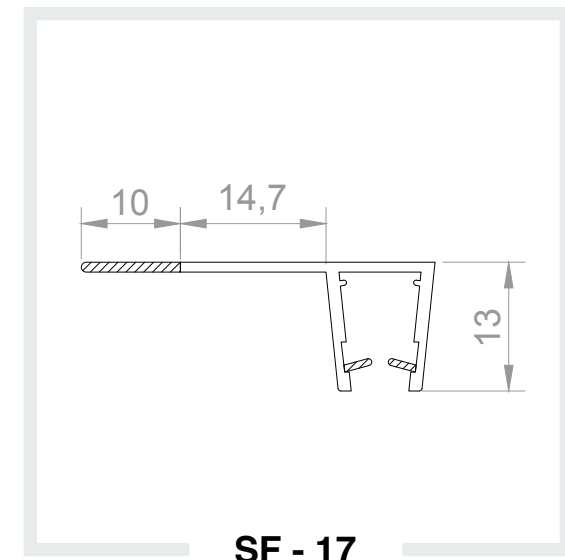


COATING



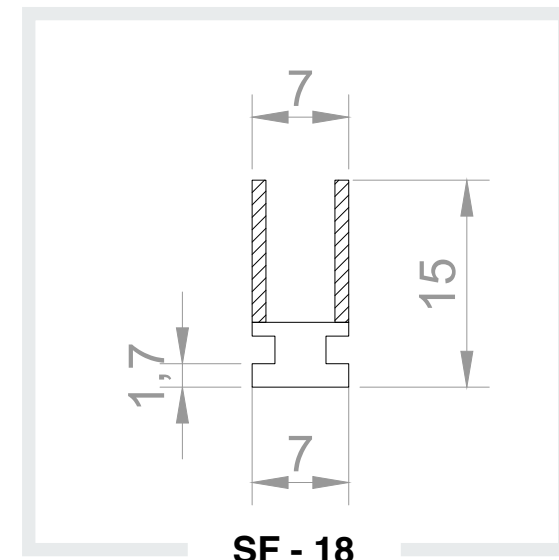
SF - 16

Glass : 4 - 5 - 6



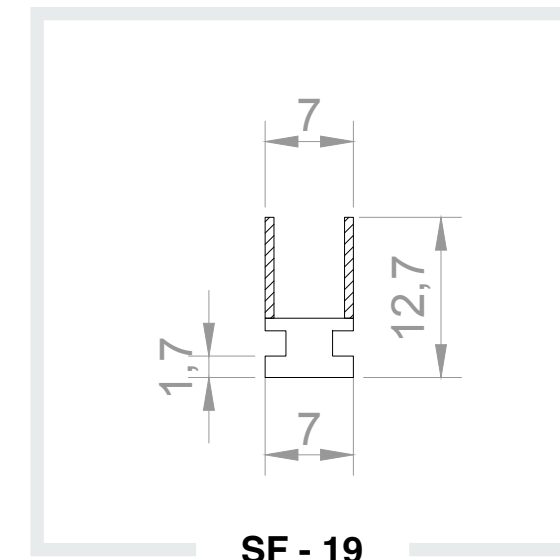
SF - 17

Glass : 4 - 5 - 6



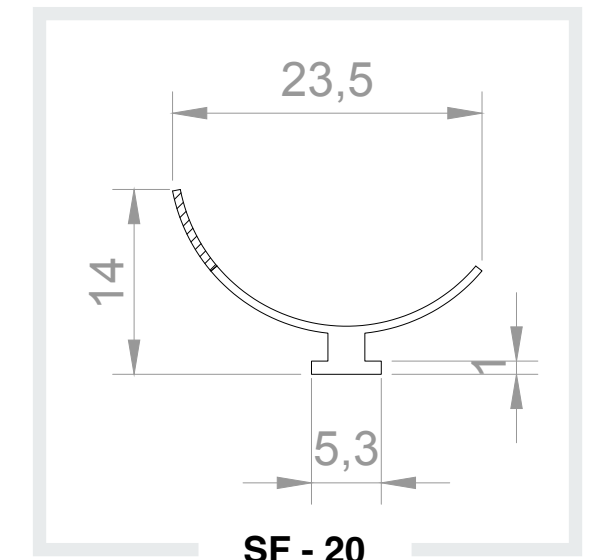
SF - 18

Glass :



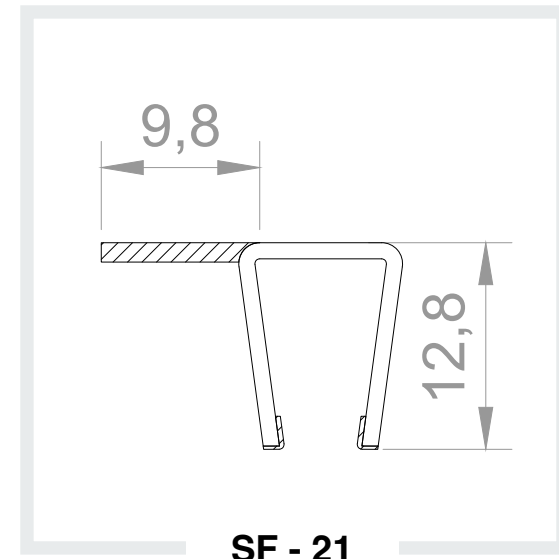
SF - 19

Glass :



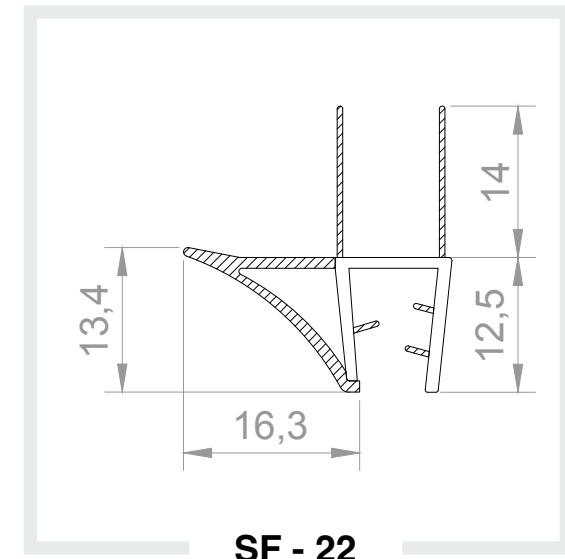
SF - 20

Glass :



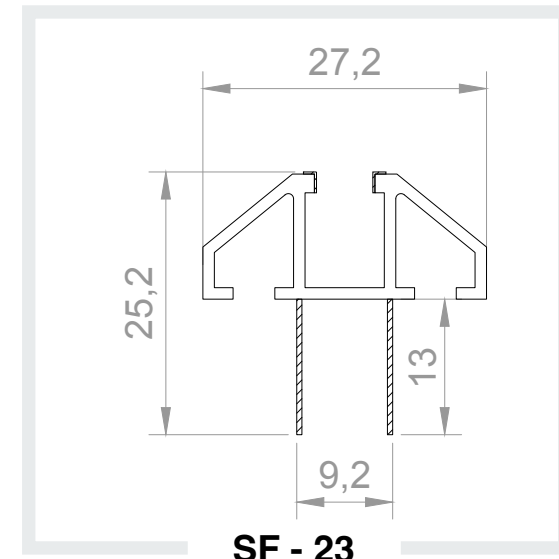
SF - 21

Glass : 5 - 6 - 8



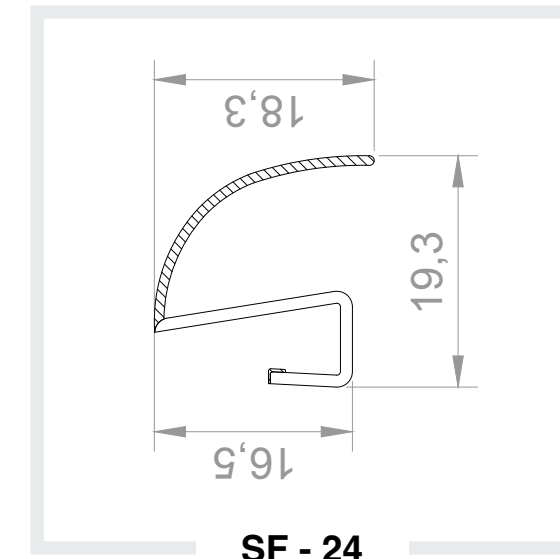
SF - 22

Glass : 6 - 8



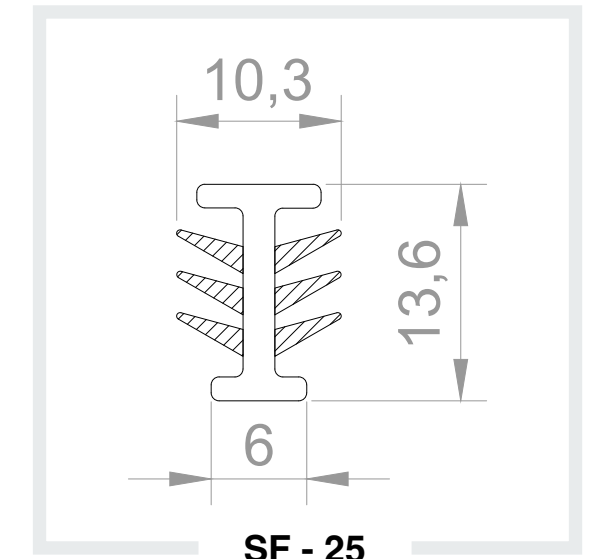
SF - 23

Glass : 5 - 6



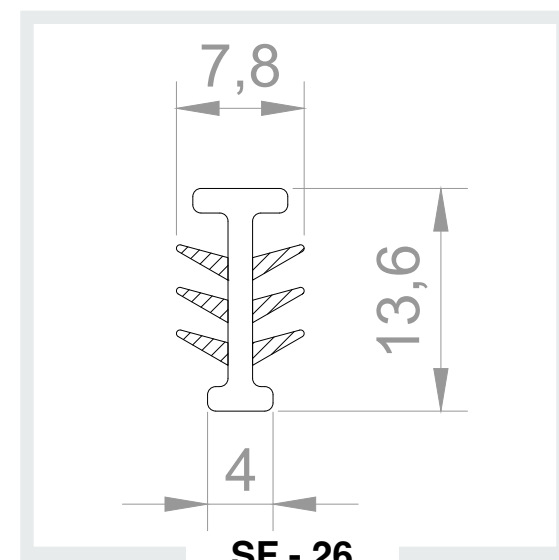
SF - 24

Glass : 6



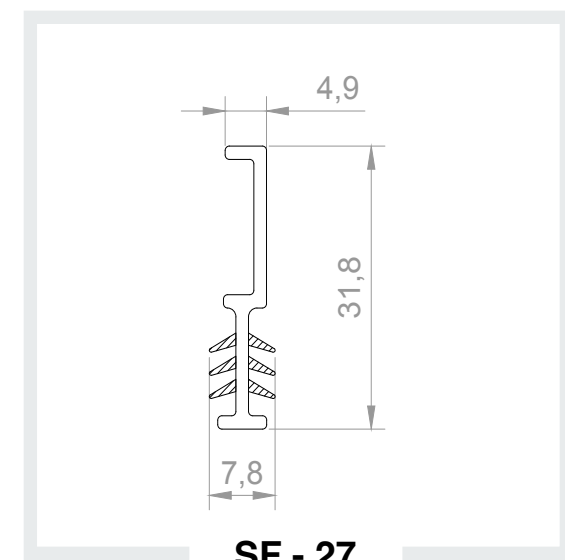
SF - 25

Glass :



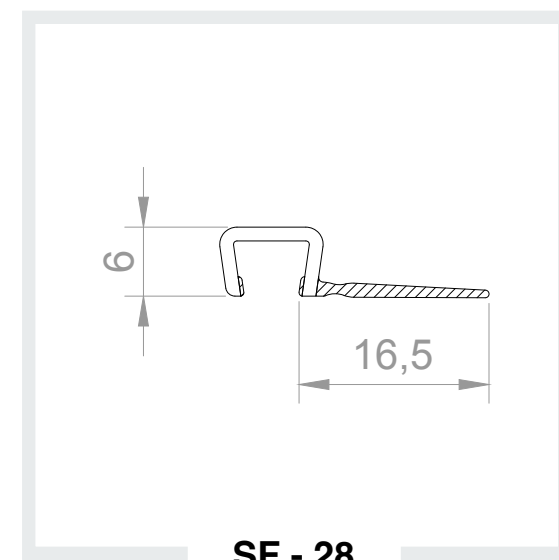
SF - 26

Glass :



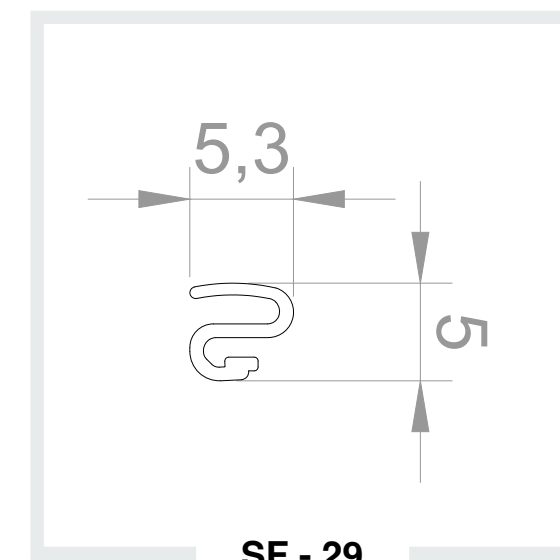
SF - 27

Glass :



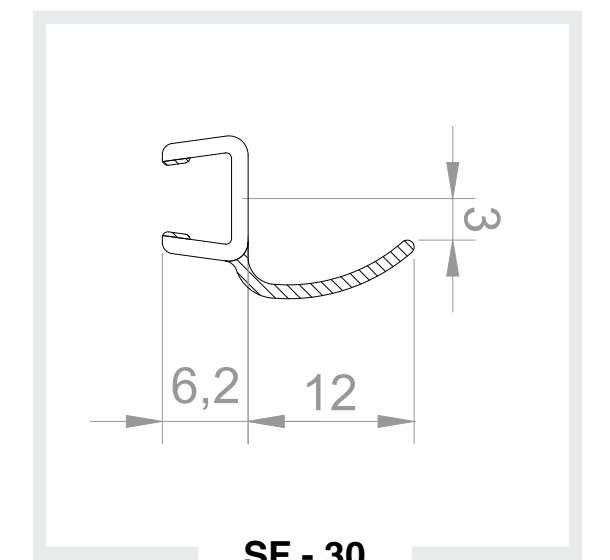
SF - 28

Glass : 5 - 6



SF - 29

Glass :



SF - 30

Glass : 5 - 6

COLORS



RIGID PVC



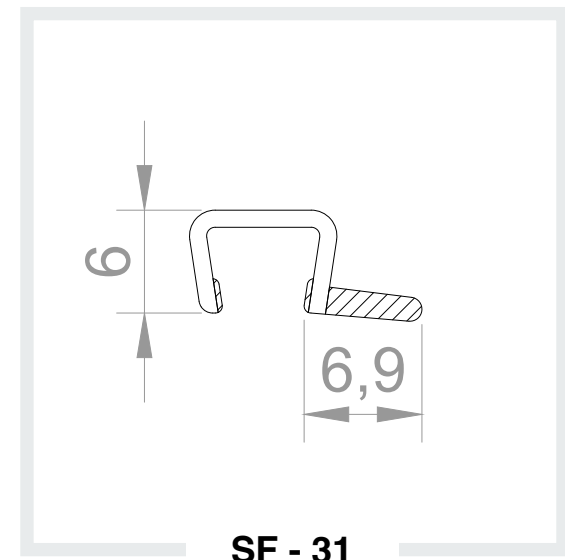
SOFT PVC



MAGNET

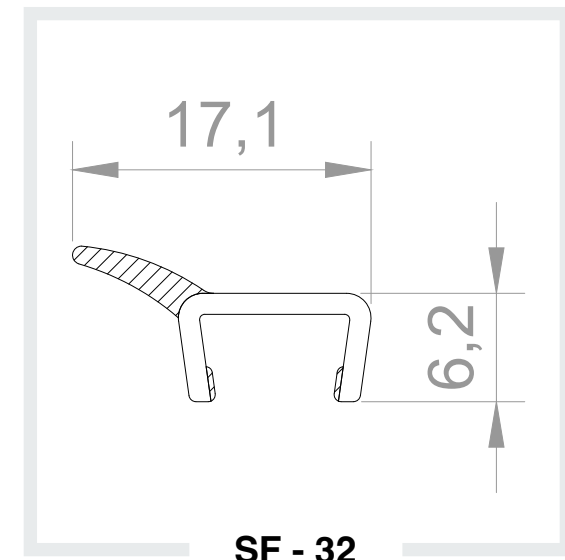


COATING



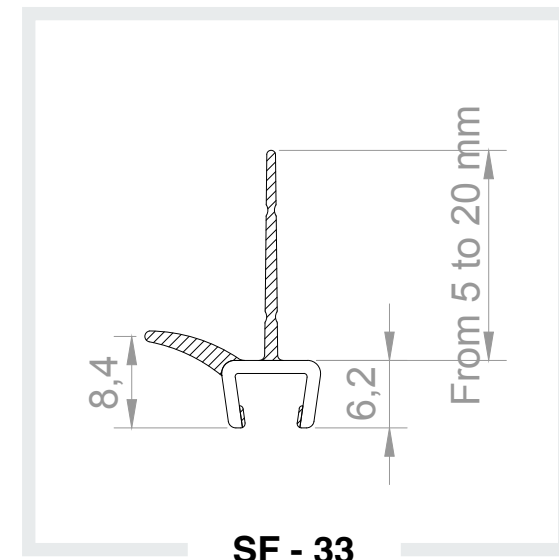
SF - 31

Glass : 5 - 6



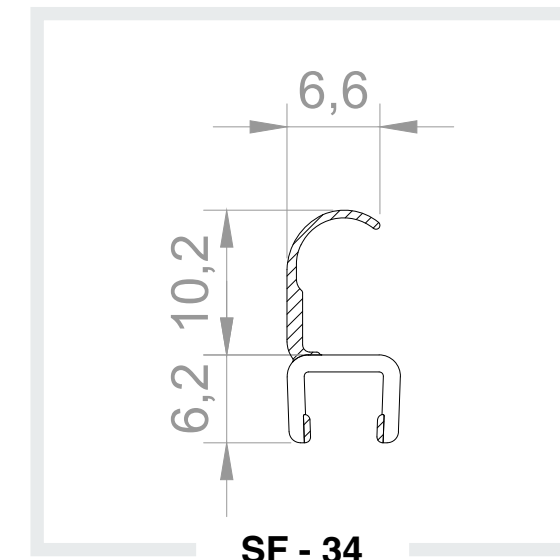
SF - 32

Glass : 5 - 6 - 8



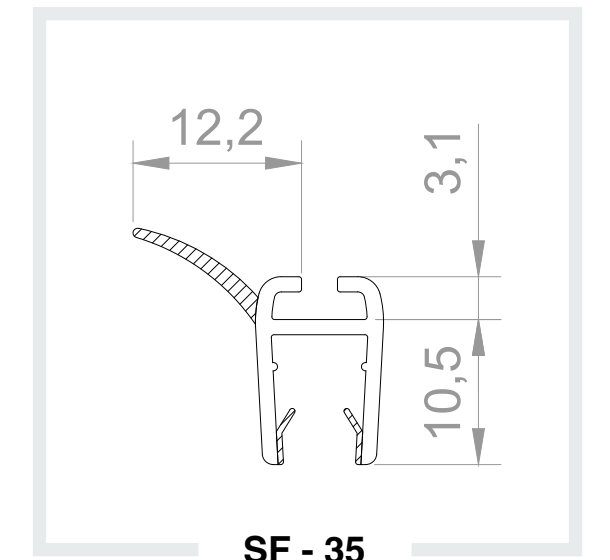
SF - 33

Glass : 5 - 6



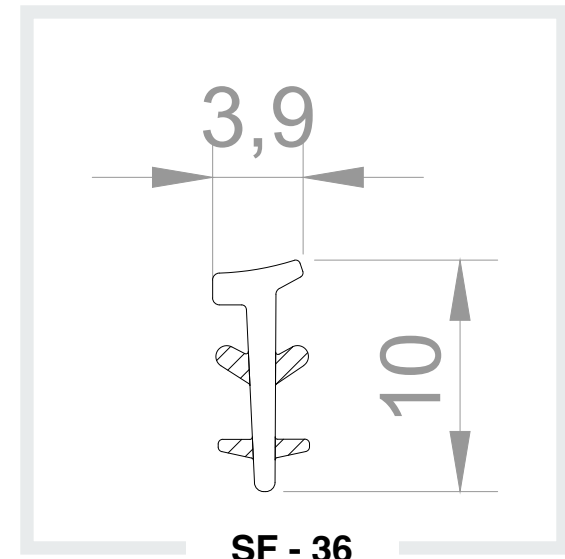
SF - 34

Glass : 5



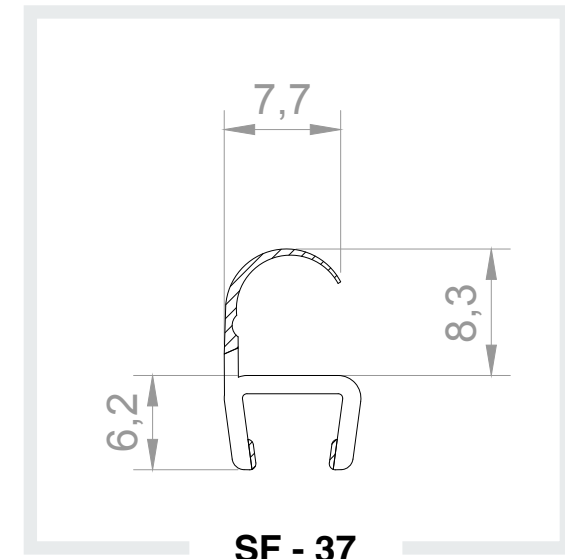
SF - 35

Glass : 5 - 6



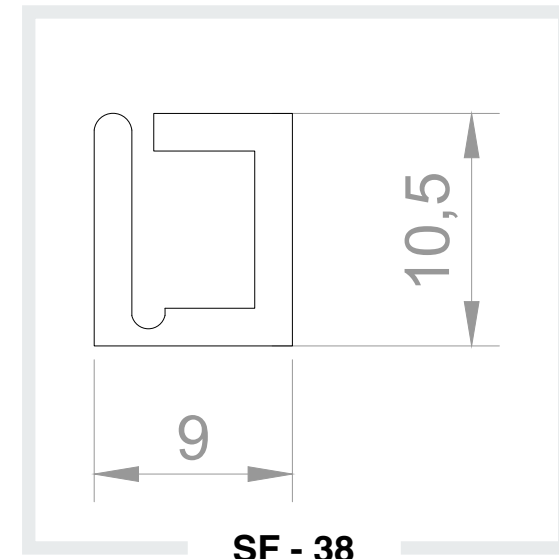
SF - 36

Glass :



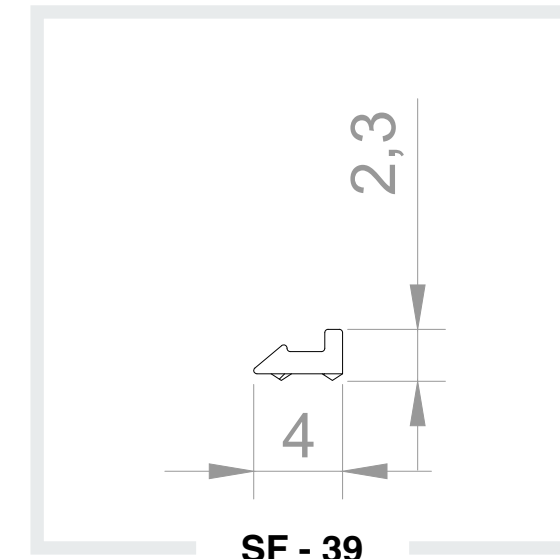
SF - 37

Glass : 5 - 6



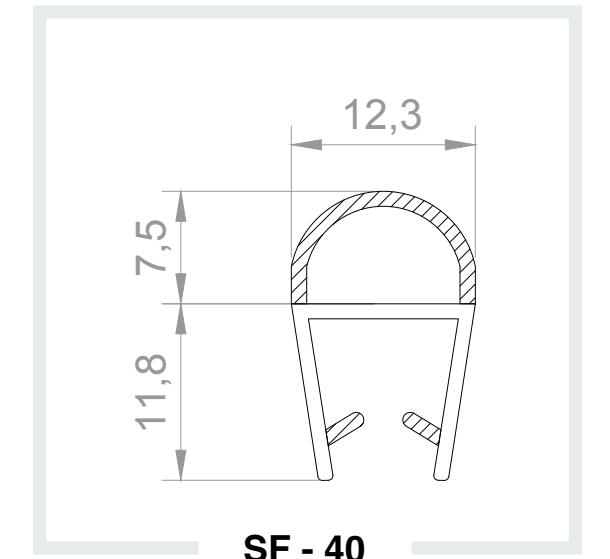
SF - 38

Glass :



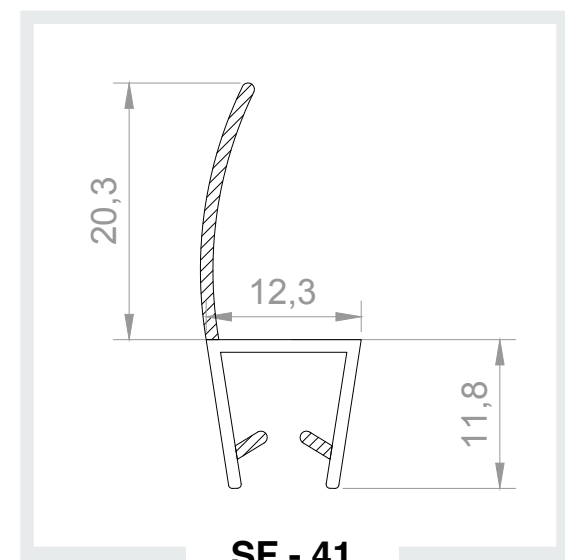
SF - 39

Glass :



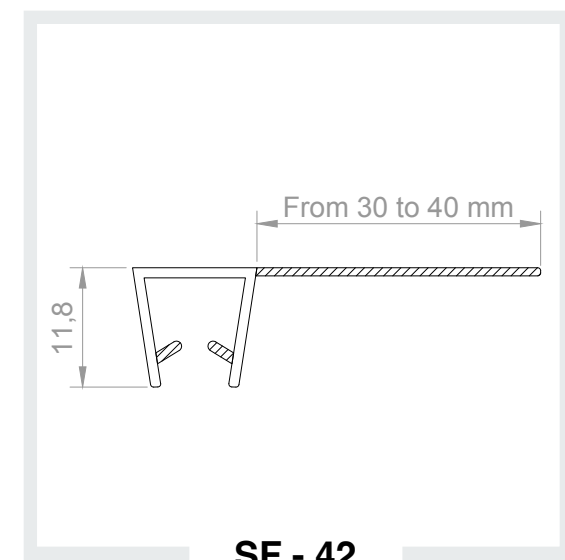
SF - 40

Glass : 8 - 10



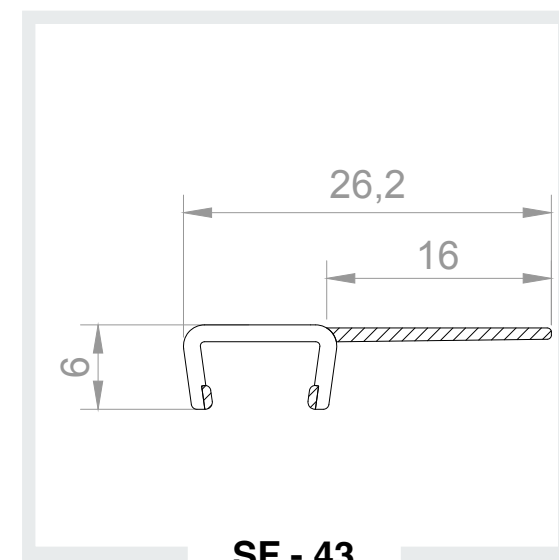
SF - 41

Glass : 8 - 10



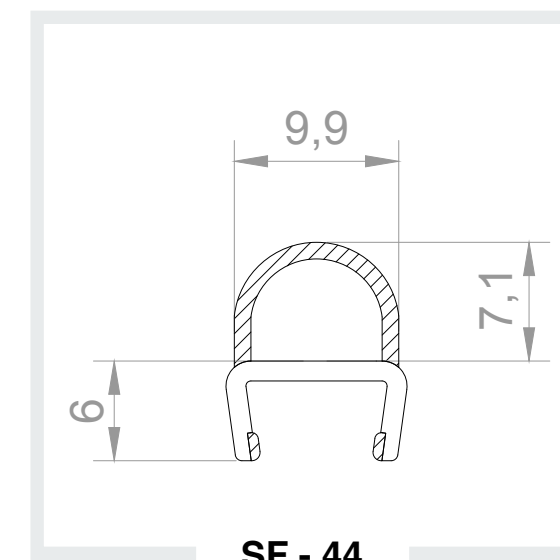
SF - 42

Glass : 8 - 10



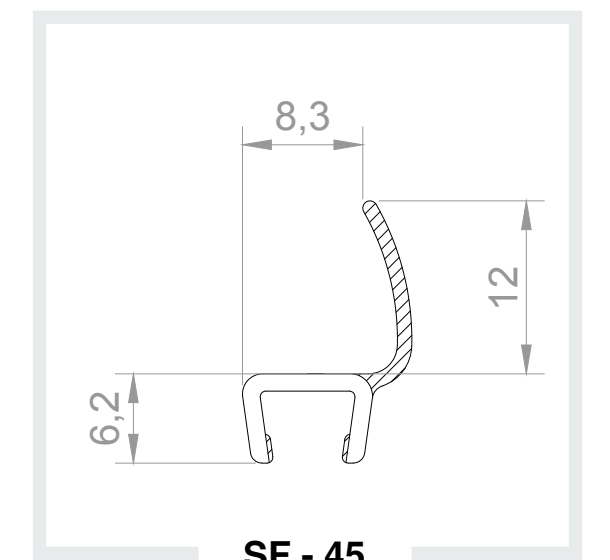
SF - 43

Glass : 8



SF - 44

Glass : 8



SF - 45

Glass : 5 - 6

COLORS



RIGID PVC



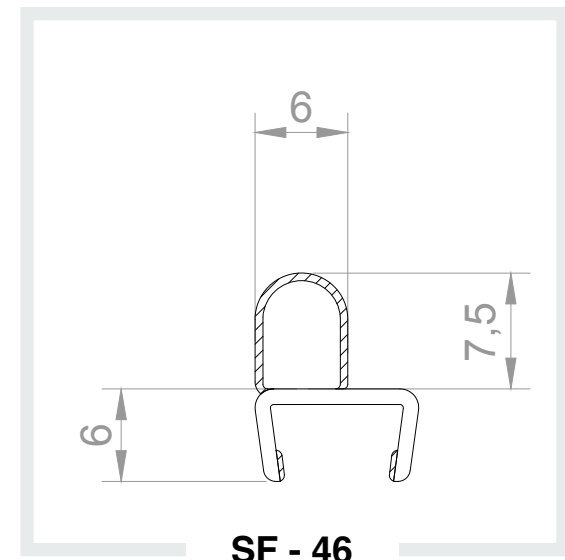
SOFT PVC



MAGNET

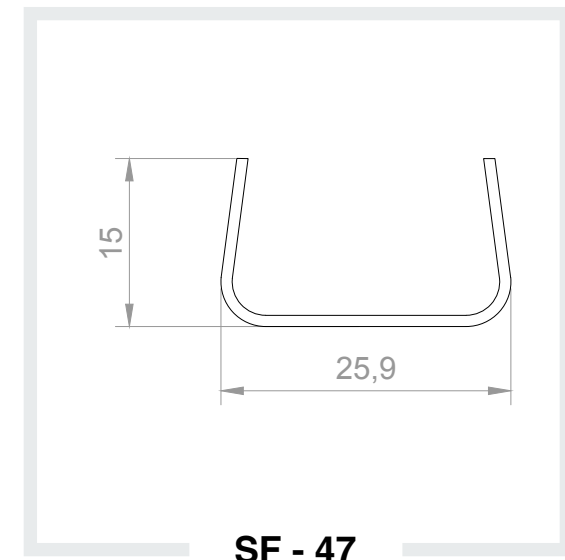


COATING



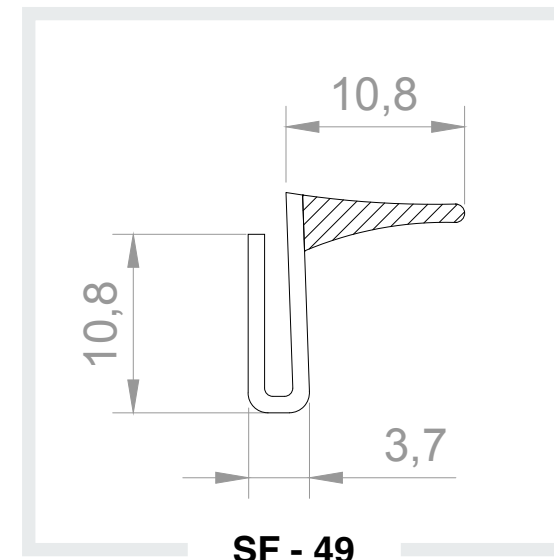
SF - 46

Glass : 8



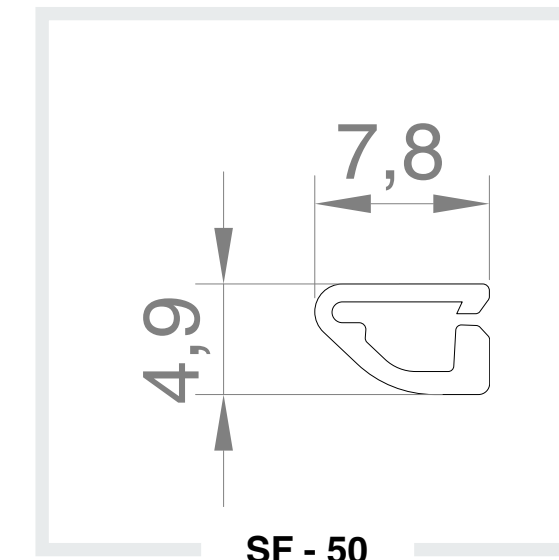
SF - 47

Glass :



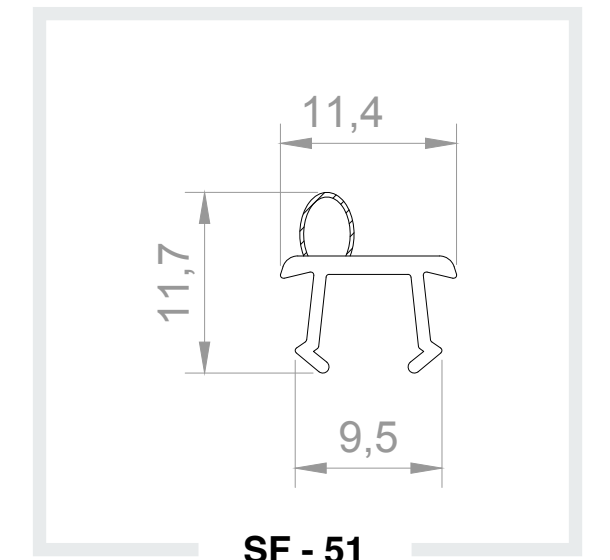
SF - 49

Glass :



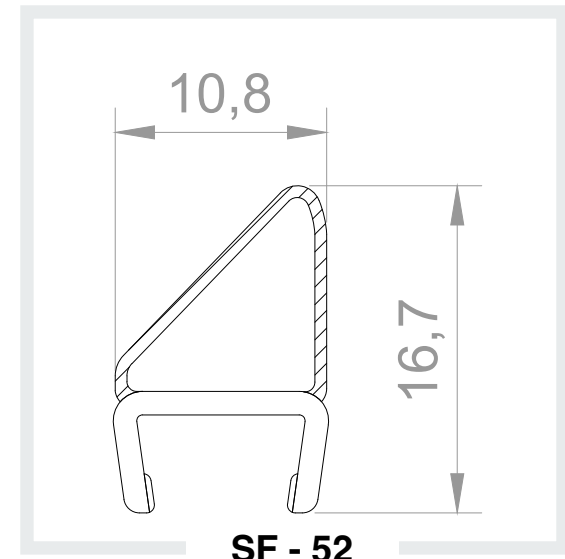
SF - 50

Glass :



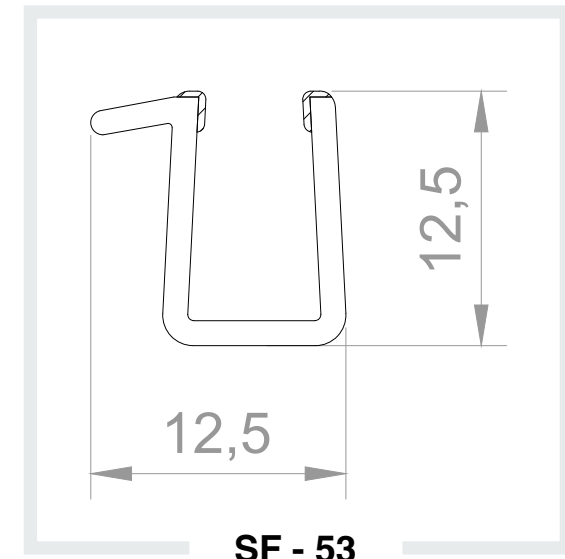
SF - 51

Glass :



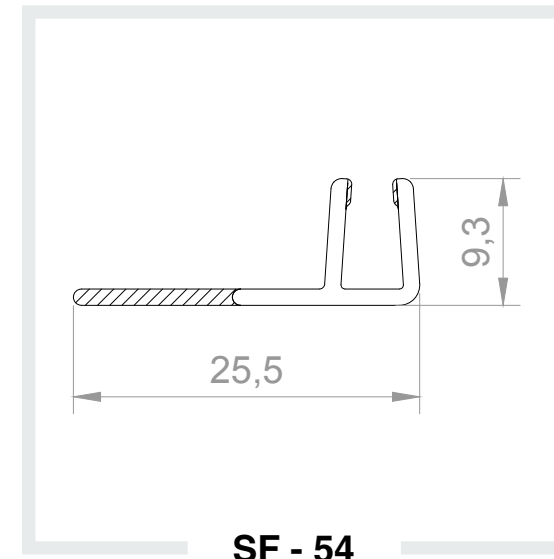
SF - 52

Glass : 8



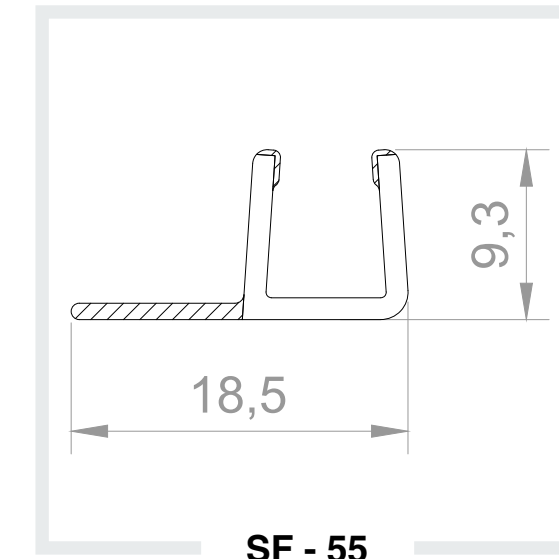
SF - 53

Glass : 6



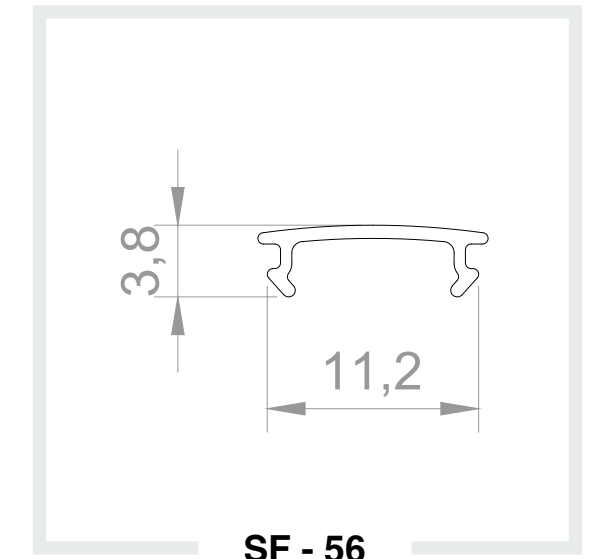
SF - 54

Glass : 4



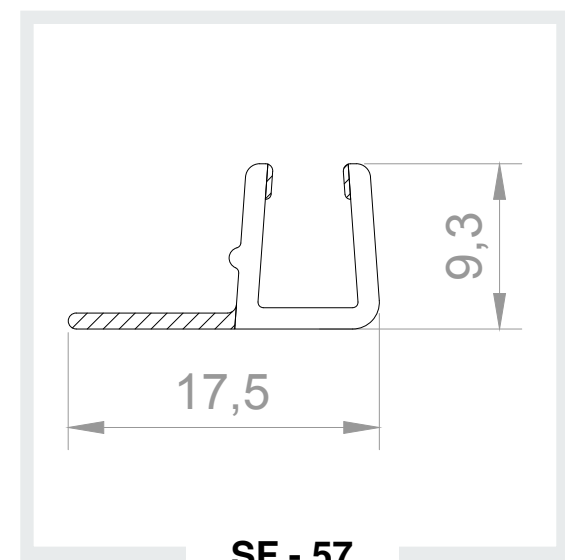
SF - 55

Glass : 5 - 6



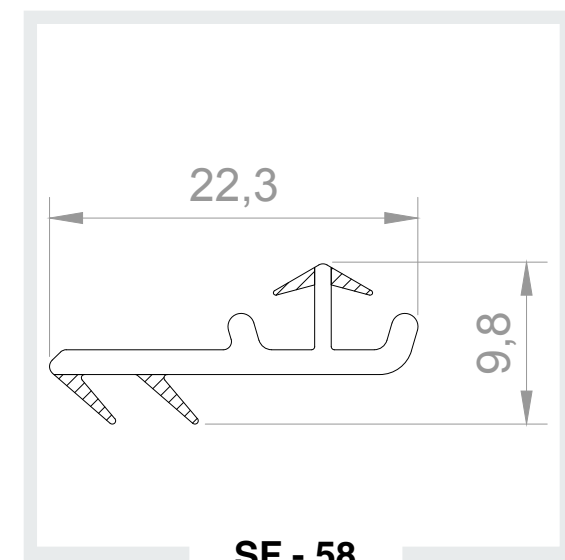
SF - 56

Glass :



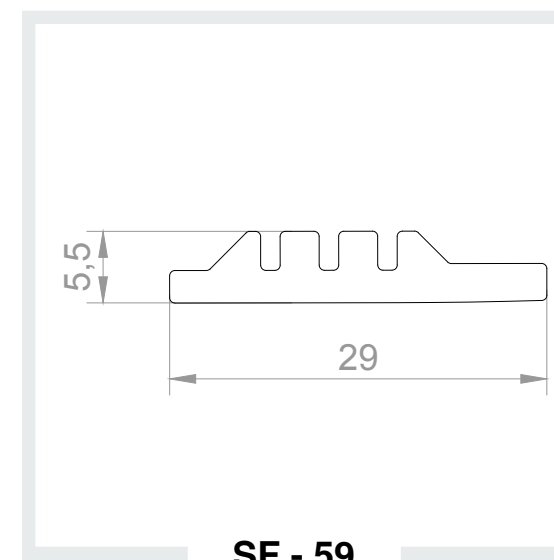
SF - 57

Glass : 5



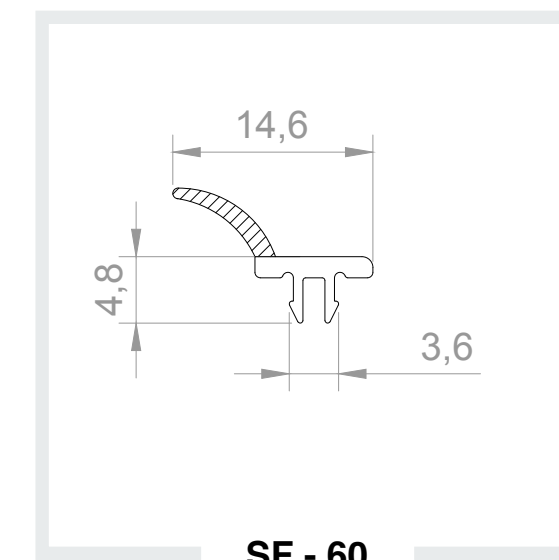
SF - 58

Glass :



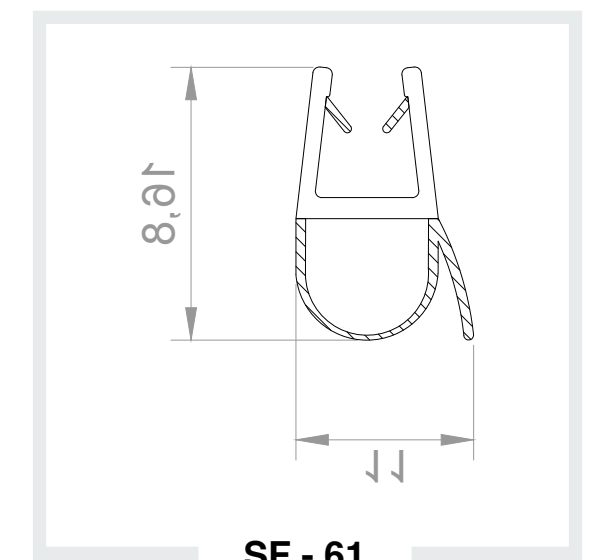
SF - 59

Glass :



SF - 60

Glass :



SF - 61

Glass : 5 - 6

COLORS



RIGID PVC



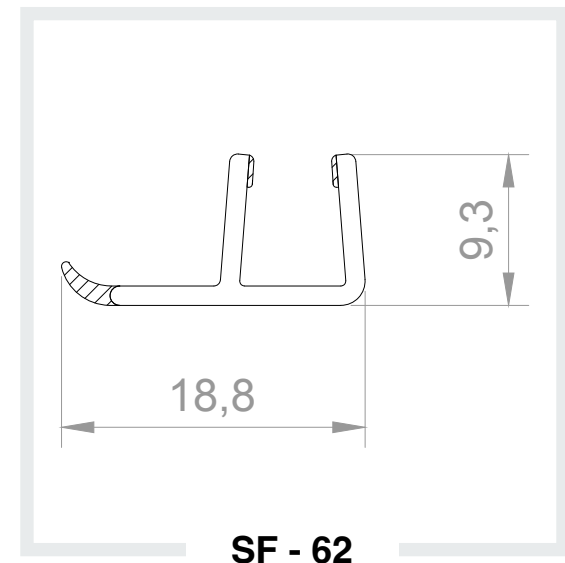
SOFT PVC



MAGNET

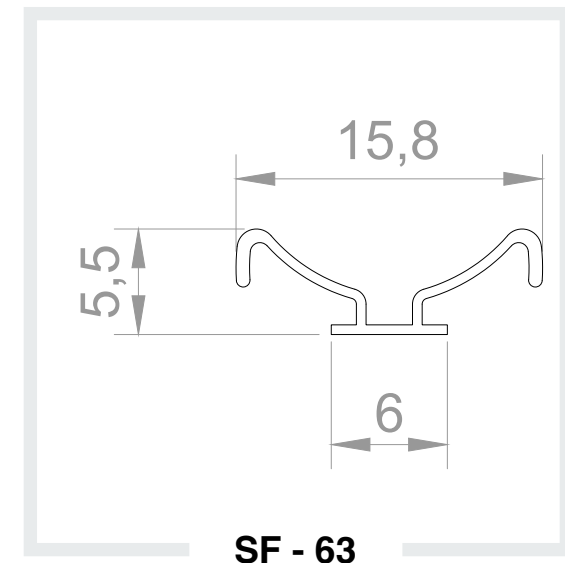


COATING



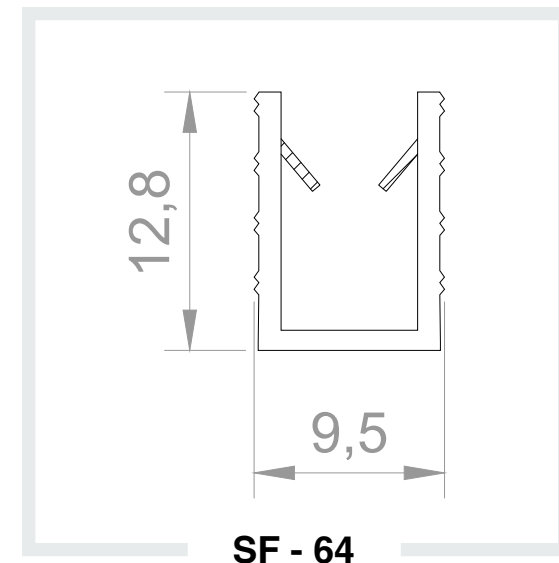
SF - 62

Glass : 5 - 6



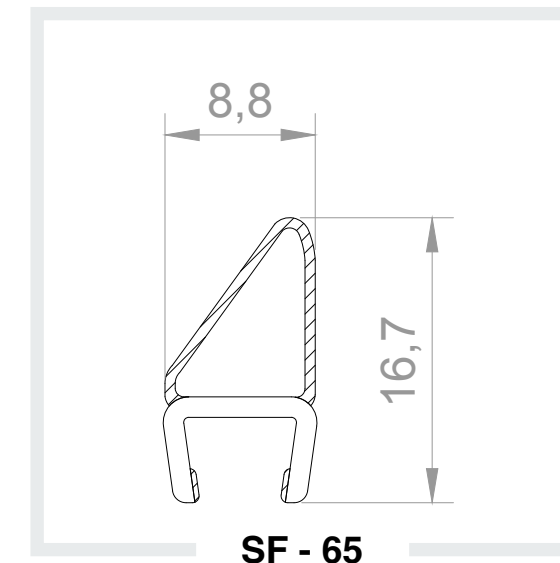
SF - 63

Glass :



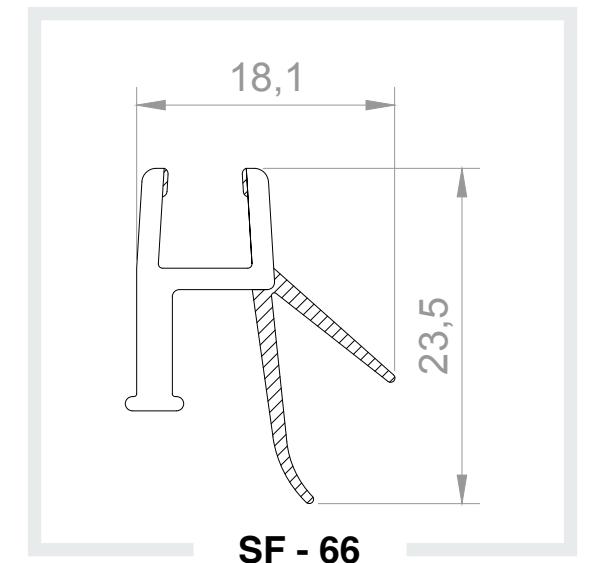
SF - 64

Glass : 6



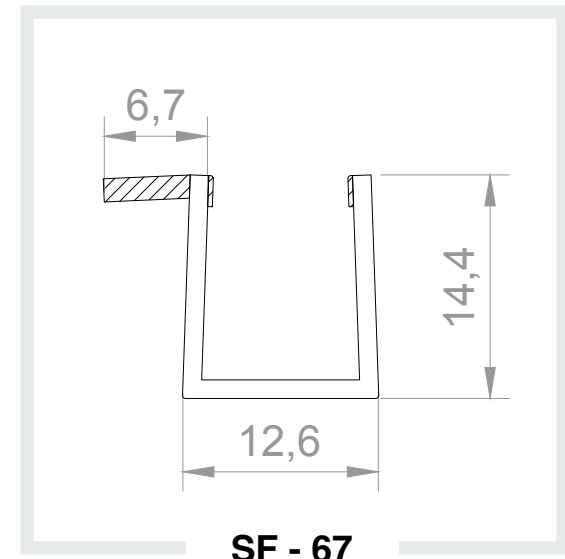
SF - 65

Glass :



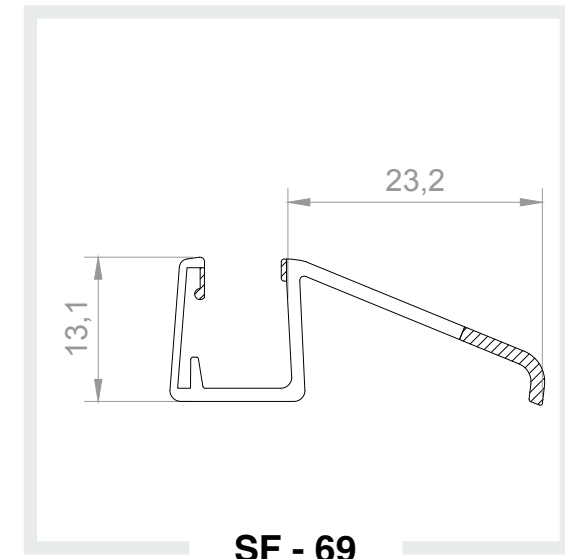
SF - 66

Glass : 6



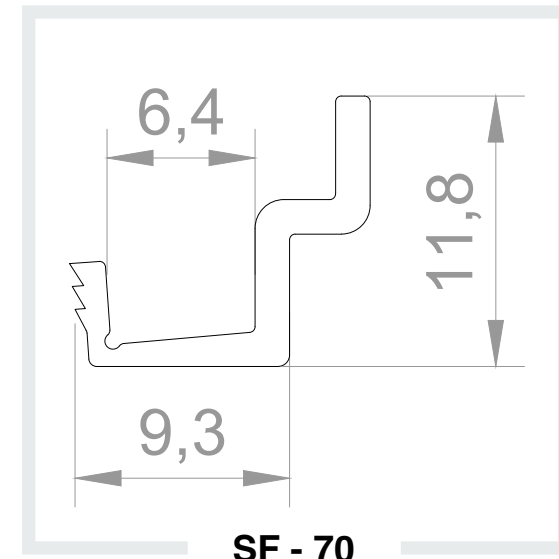
SF - 67

Glass : 10



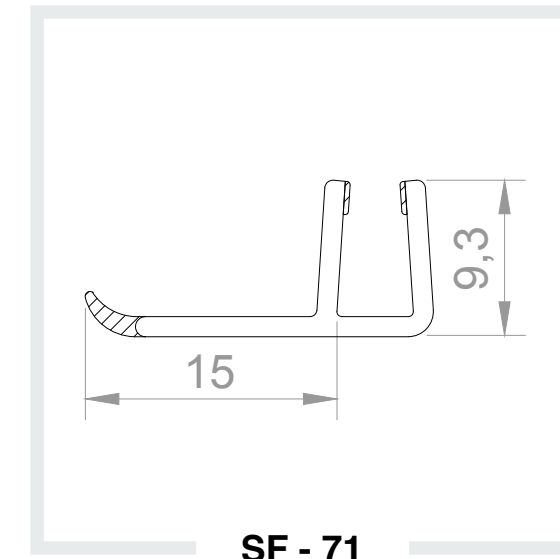
SF - 69

Glass : 8



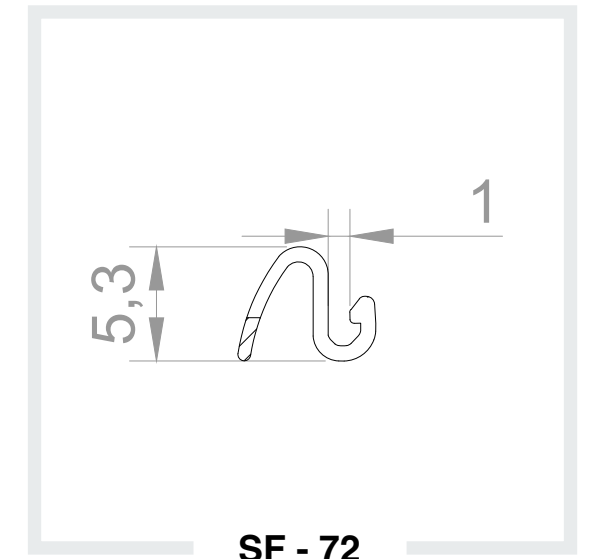
SF - 70

Glass : 5 - 6



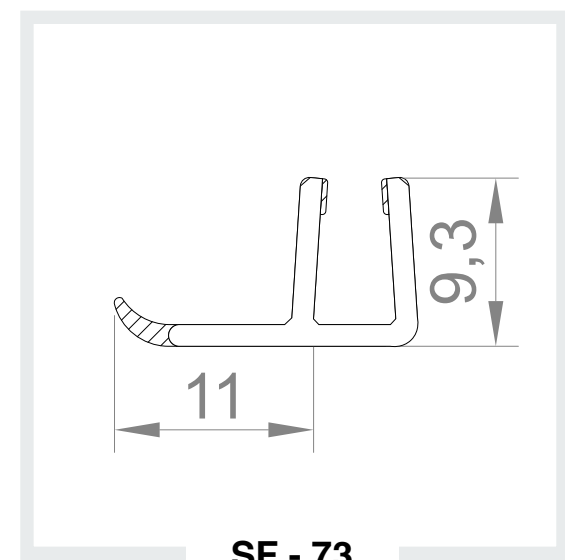
SF - 71

Glass : 4



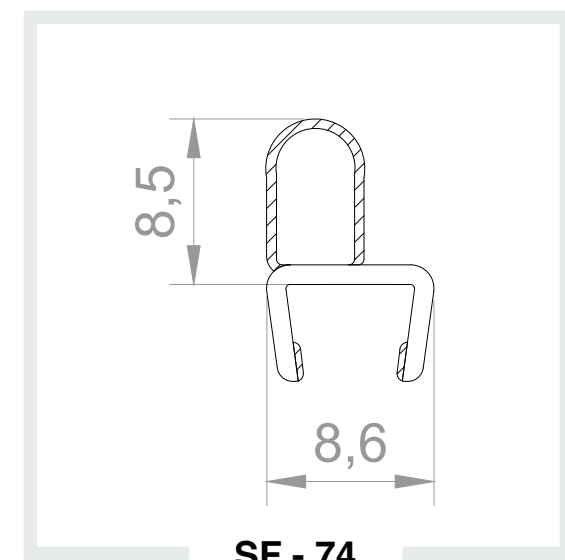
SF - 72

Glass :



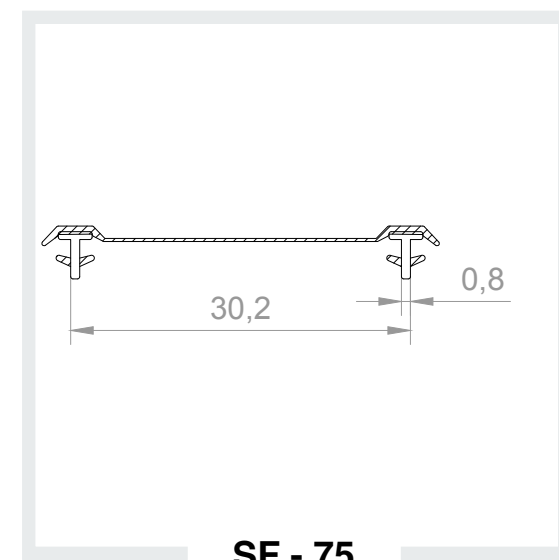
SF - 73

Glass :



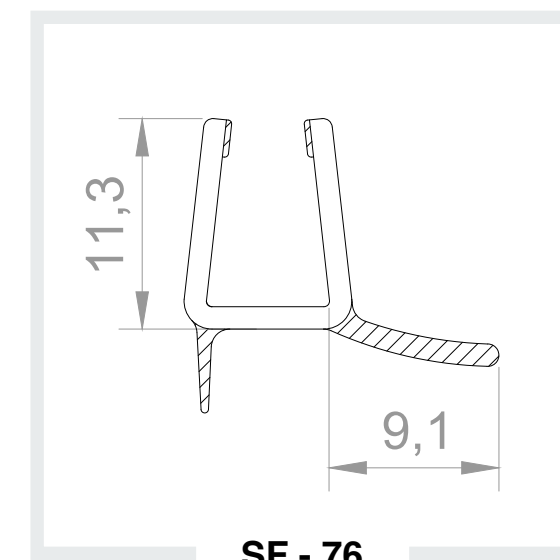
SF - 74

Glass :



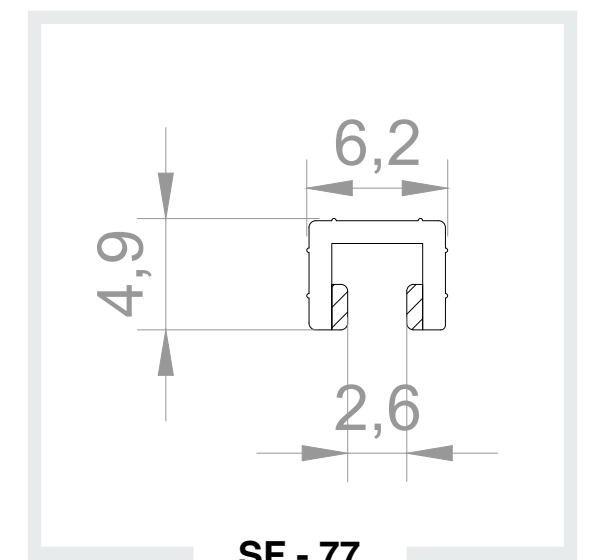
SF - 75

Glass :



SF - 76

Glass :



SF - 77

Glass :

COLORS



RIGID PVC



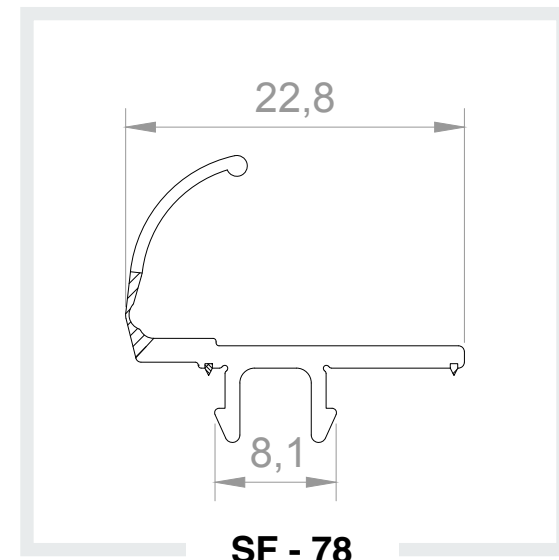
SOFT PVC



MAGNET

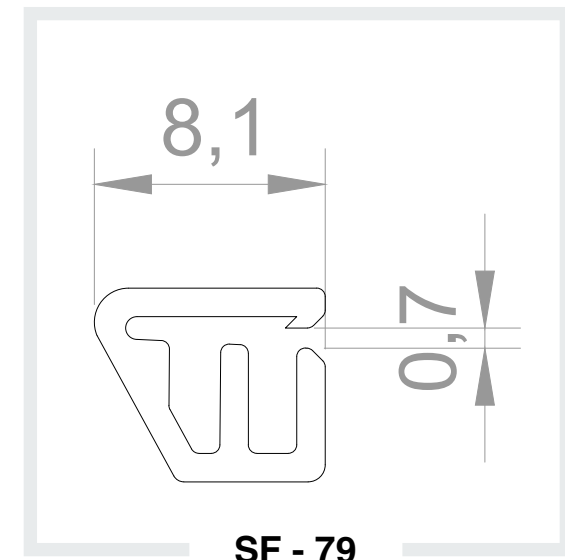


COATING



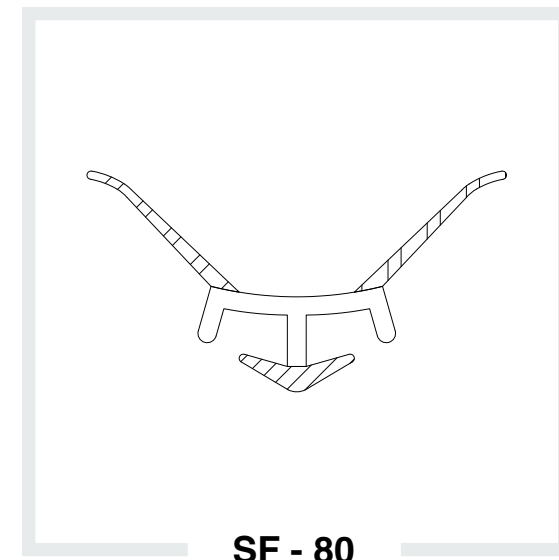
SF - 78

Glass :



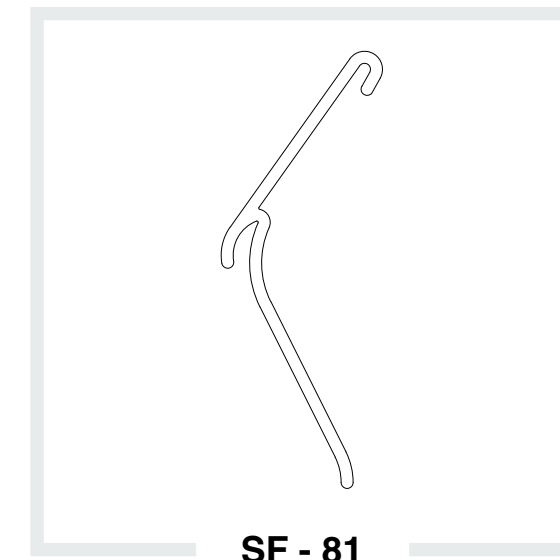
SF - 79

Glass :



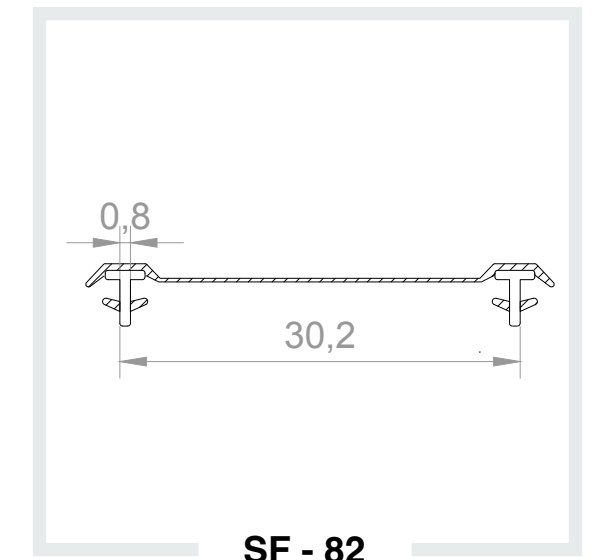
SF - 80

Glass :



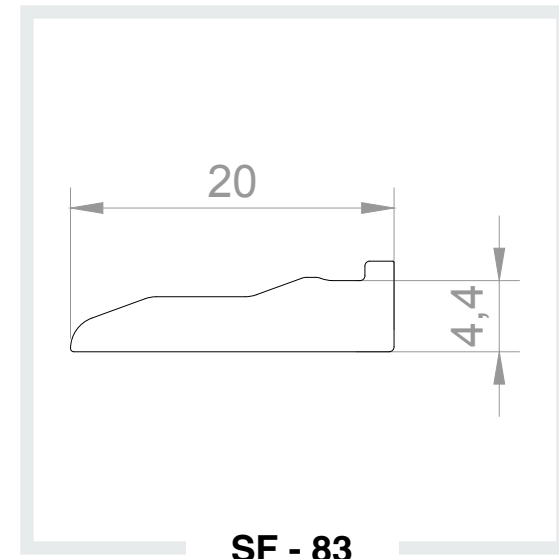
SF - 81

Glass :



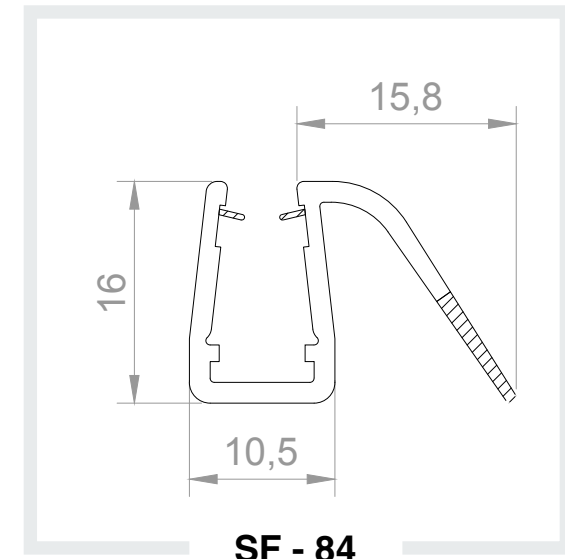
SF - 82

Glass :



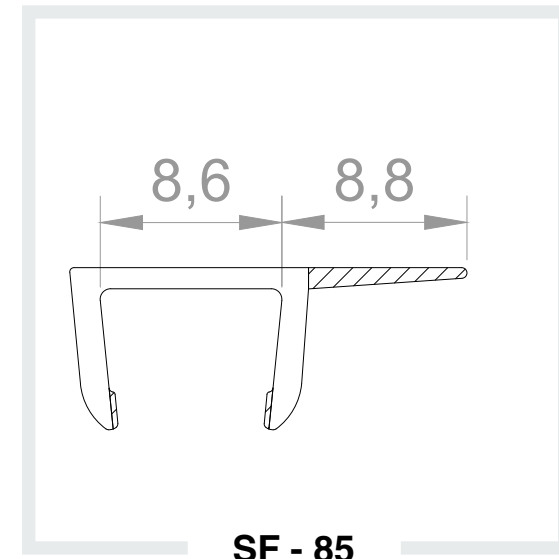
SF - 83

Glass :



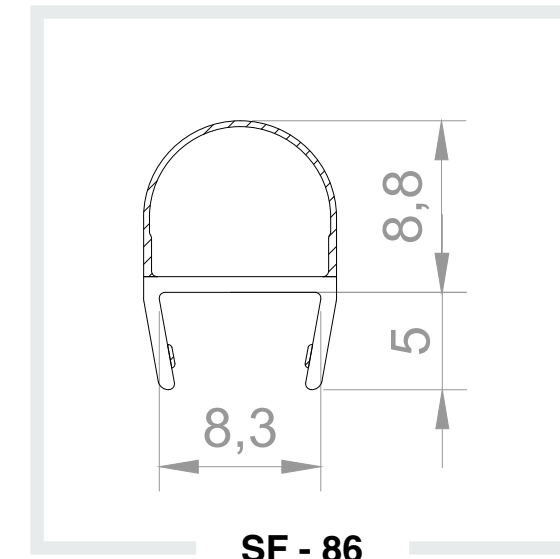
SF - 84

Glass :



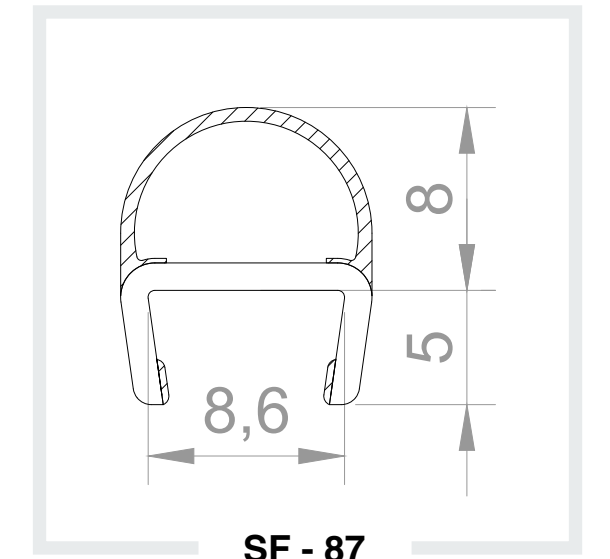
SF - 85

Glass :



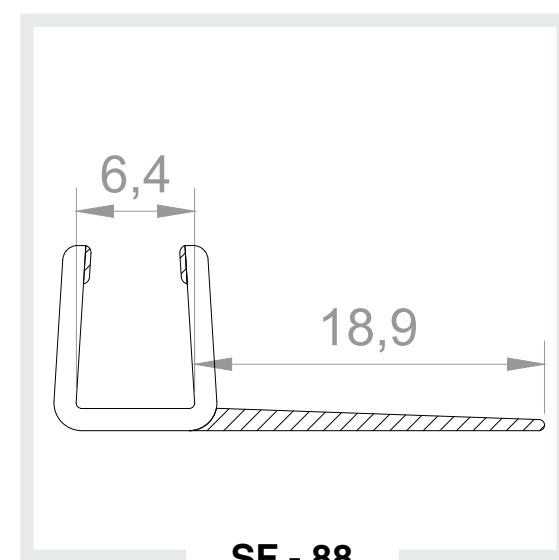
SF - 86

Glass :



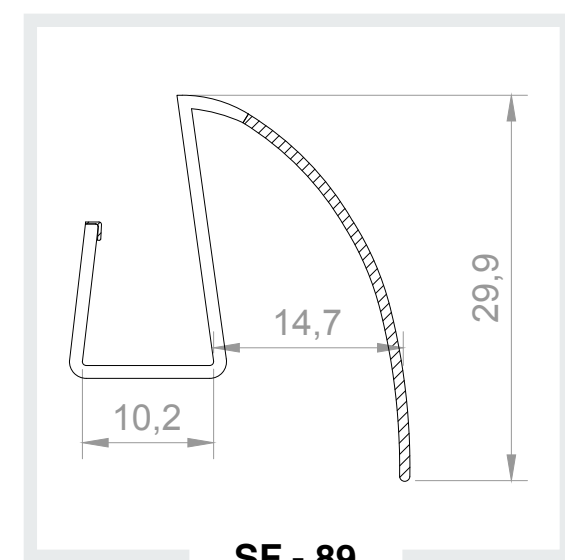
SF - 87

Glass :



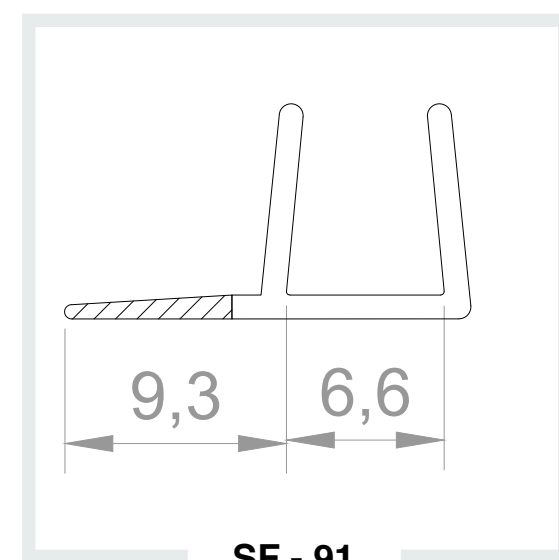
SF - 88

Glass :



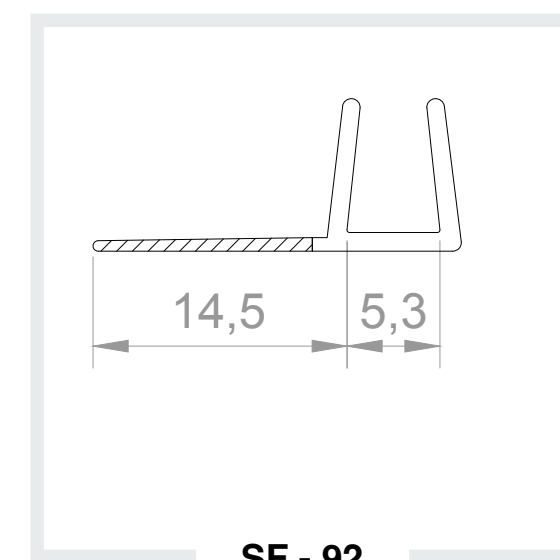
SF - 89

Glass :



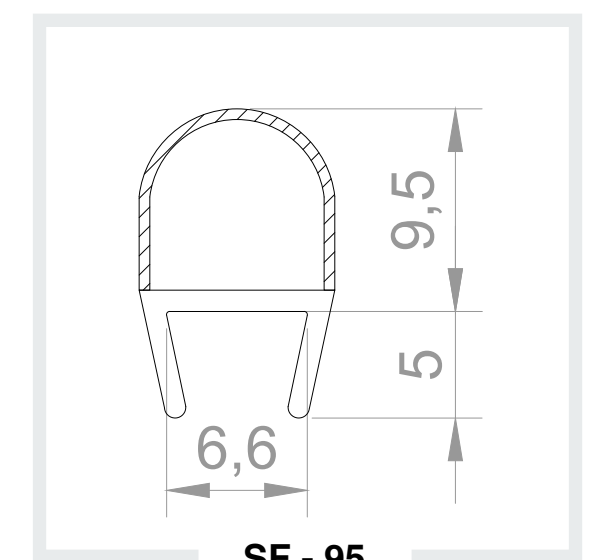
SF - 91

Glass :



SF - 92

Glass :



SF - 95

Glass :

COLORS



RIGID PVC



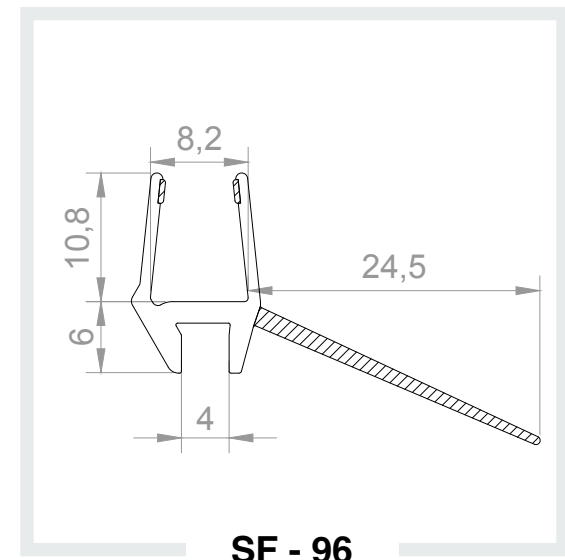
SOFT PVC



MAGNET

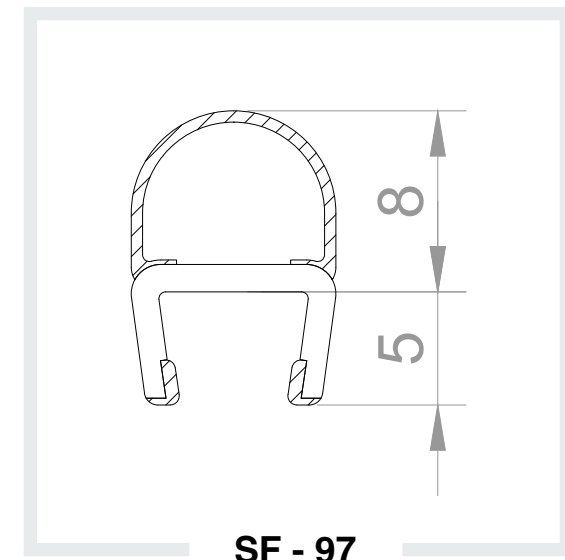


COATING



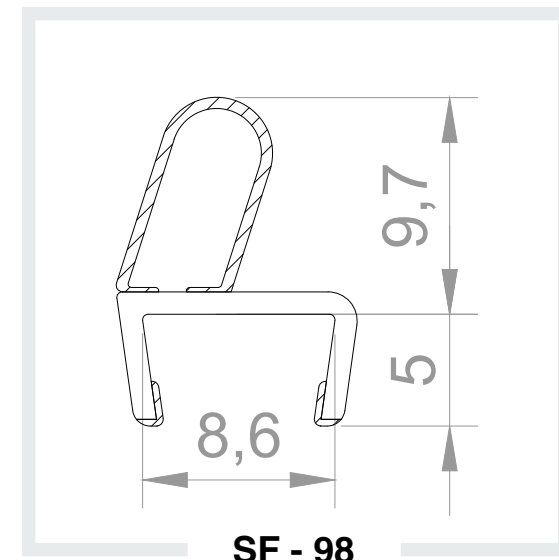
SF - 96

Glass :



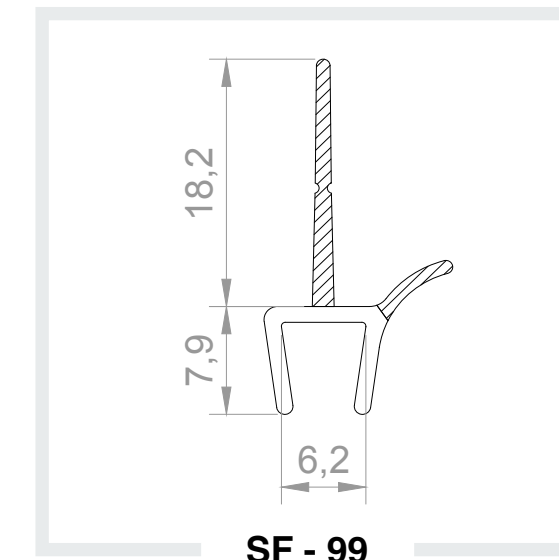
SF - 97

Glass :



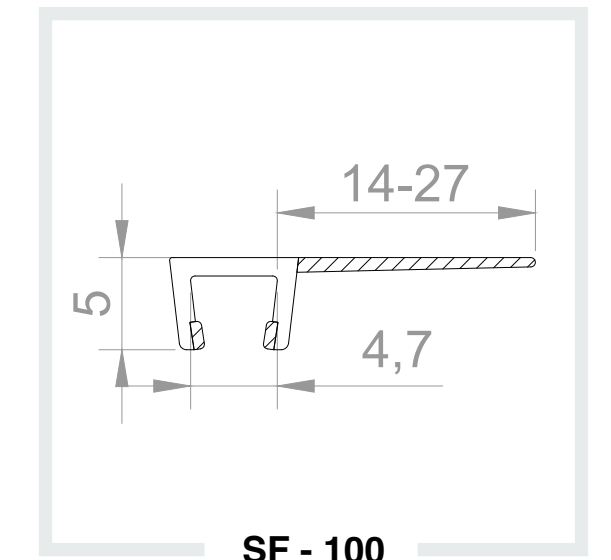
SF - 98

Glass :



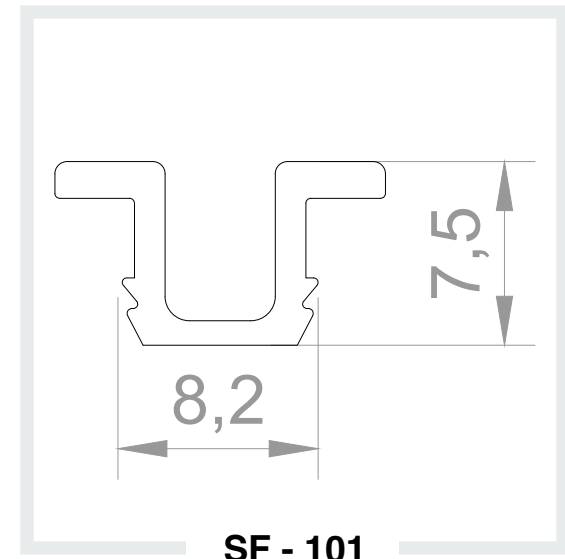
SF - 99

Glass :



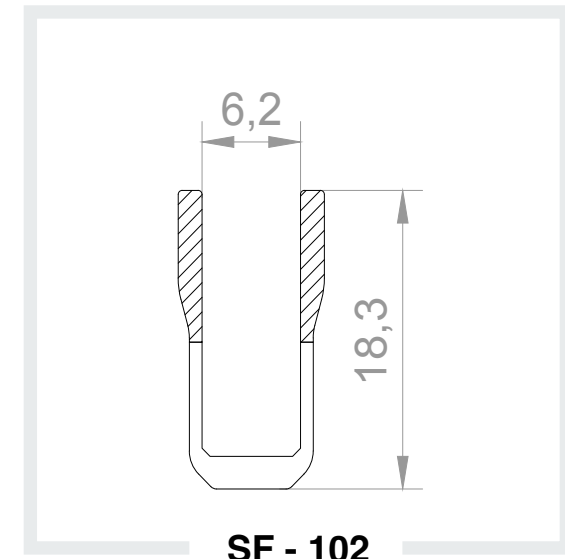
SF - 100

Glass :



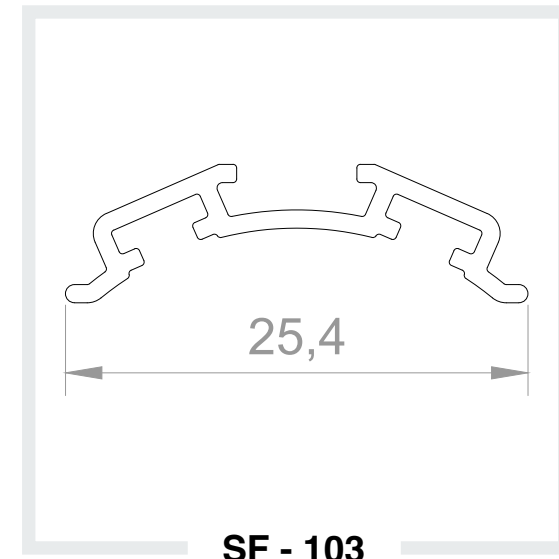
SF - 101

Glass :



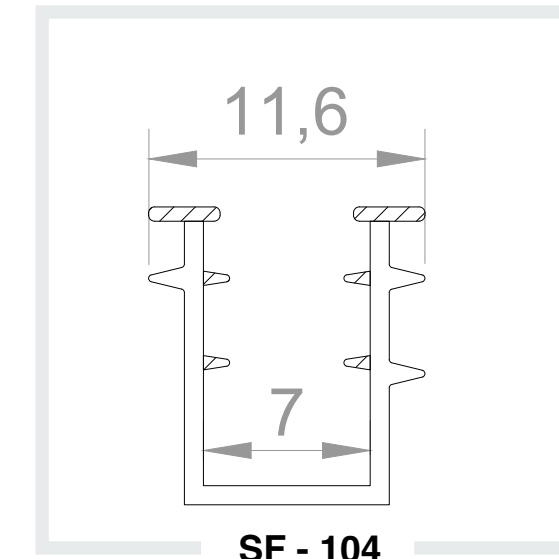
SF - 102

Glass :



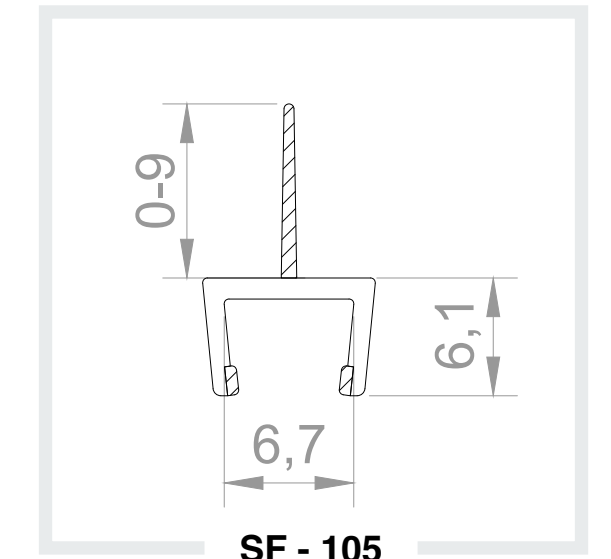
SF - 103

Glass :



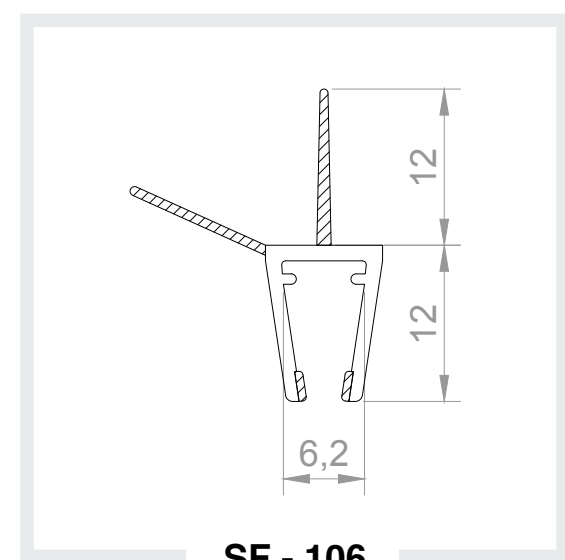
SF - 104

Glass :



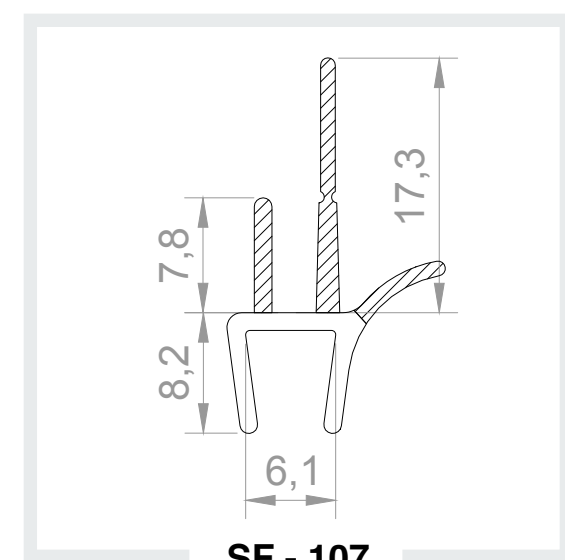
SF - 105

Glass :



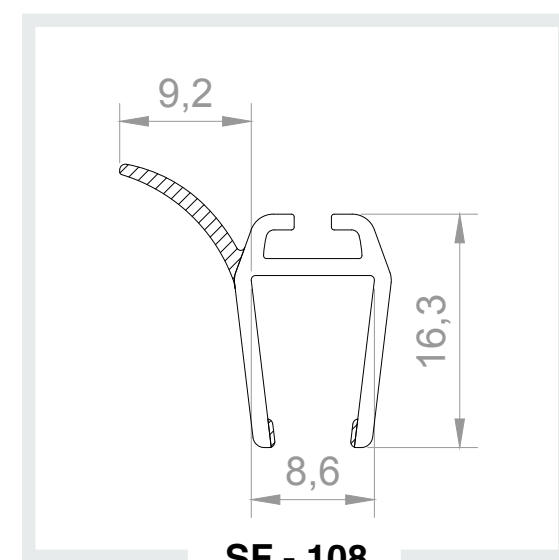
SF - 106

Glass :



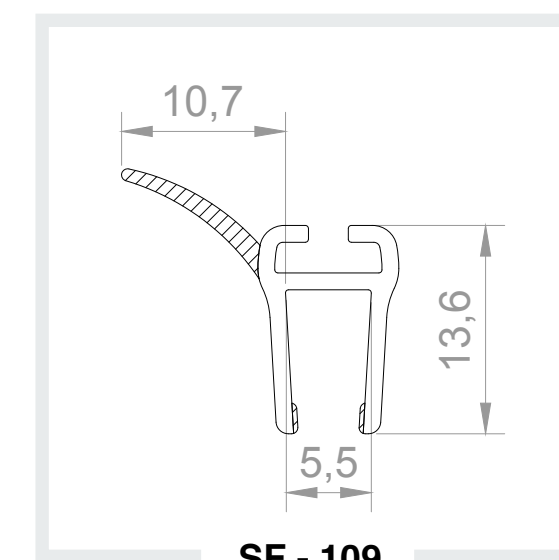
SF - 107

Glass :



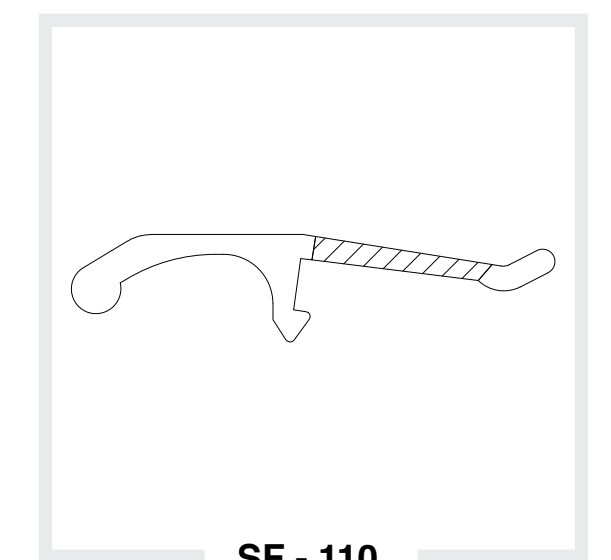
SF - 108

Glass :



SF - 109

Glass :



SF - 110

Glass :

COLORS



RIGID PVC



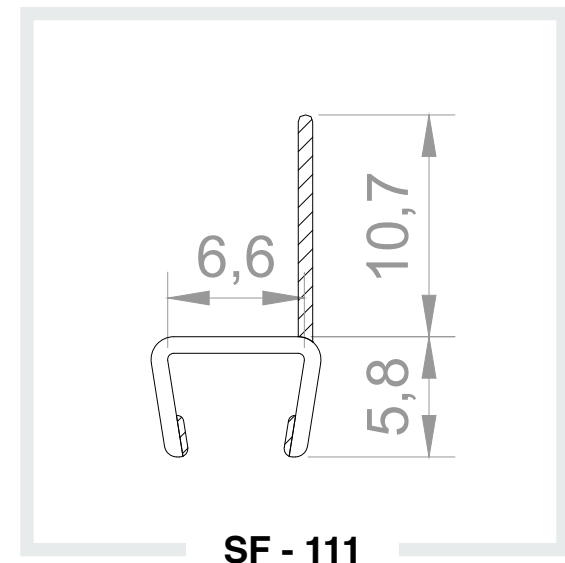
SOFT PVC



MAGNET

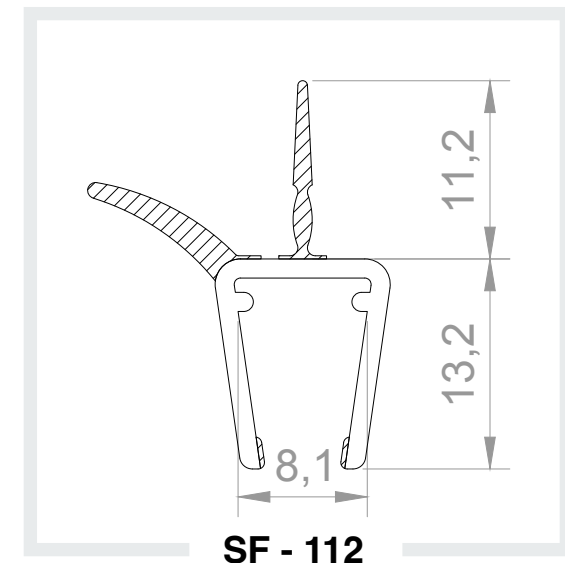


COATING



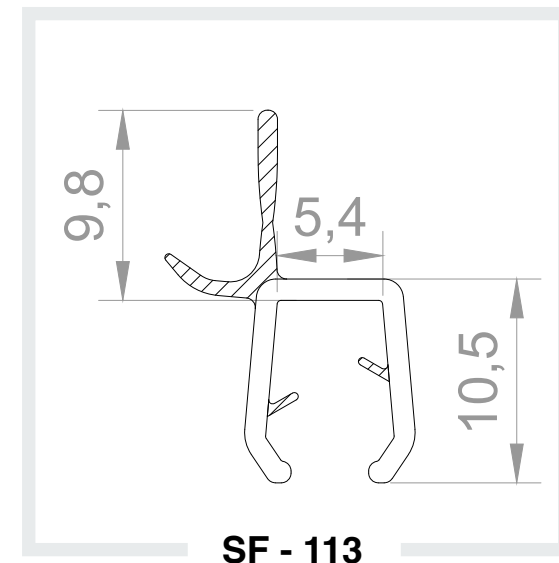
SF - 111

Glass :



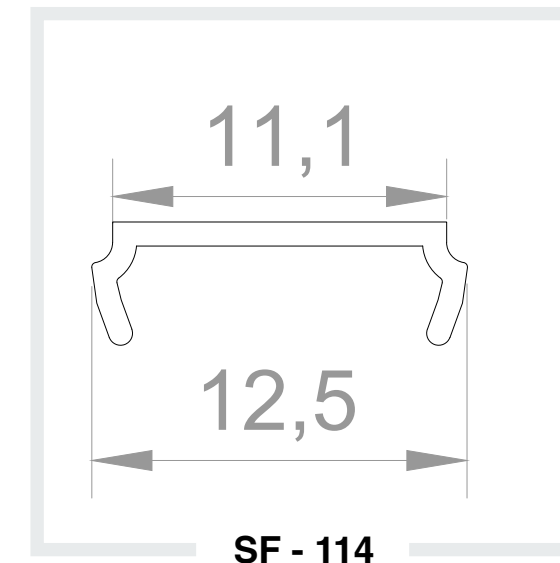
SF - 112

Glass :



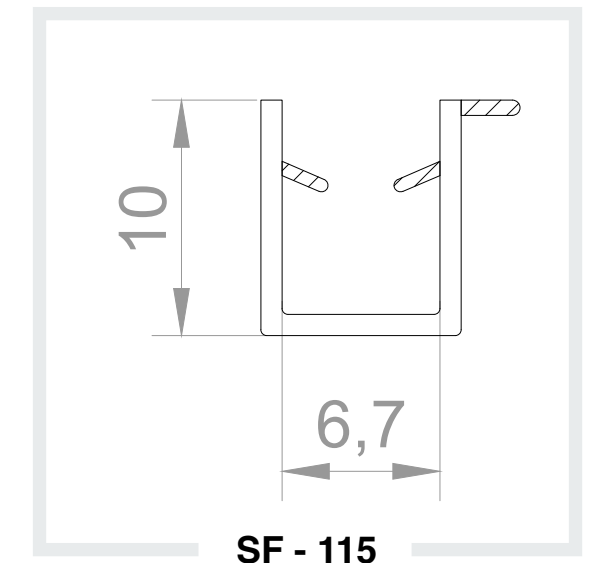
SF - 113

Glass :



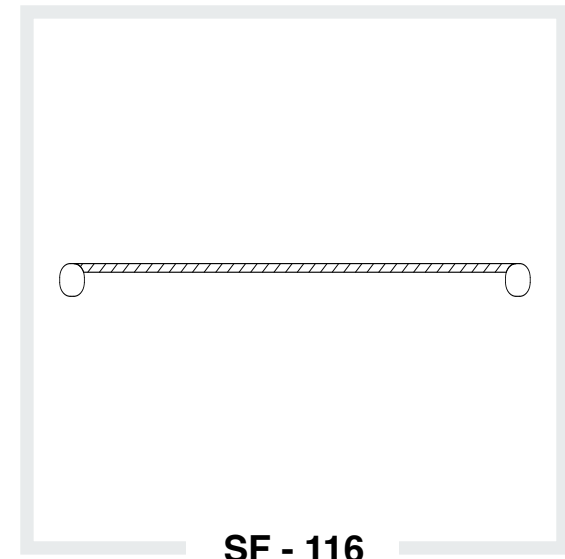
SF - 114

Glass :



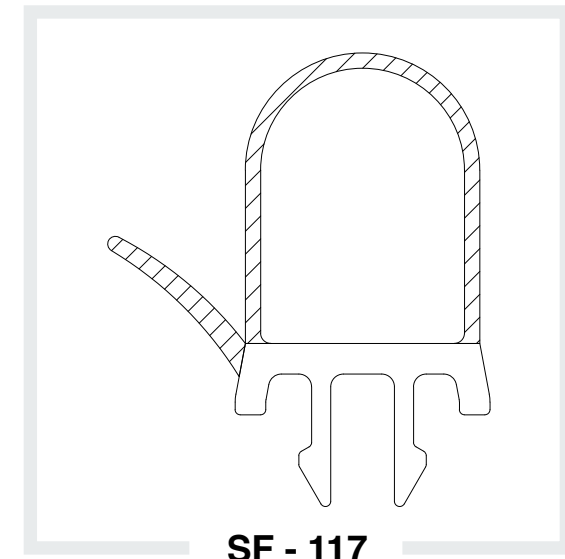
SF - 115

Glass :



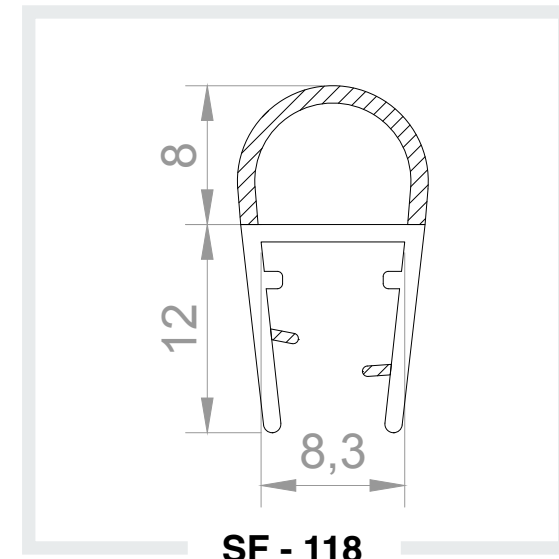
SF - 116

Glass :



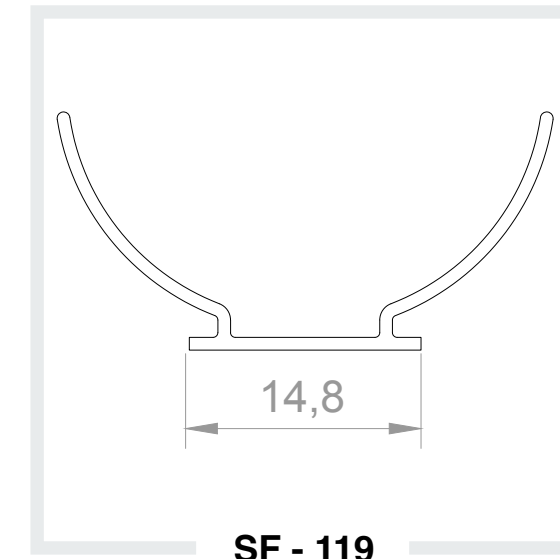
SF - 117

Glass :



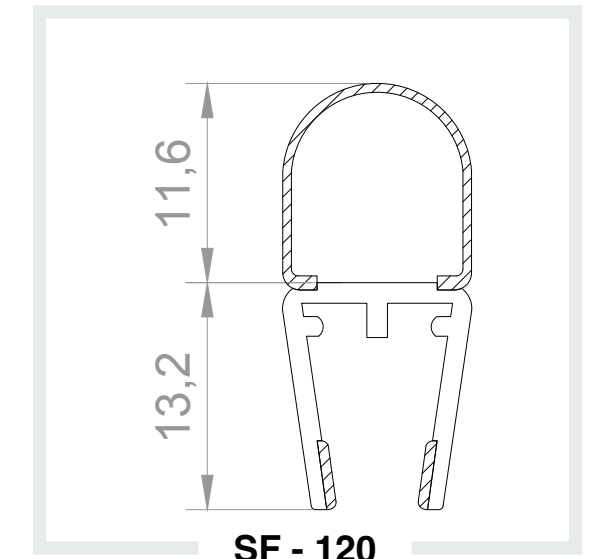
SF - 118

Glass :



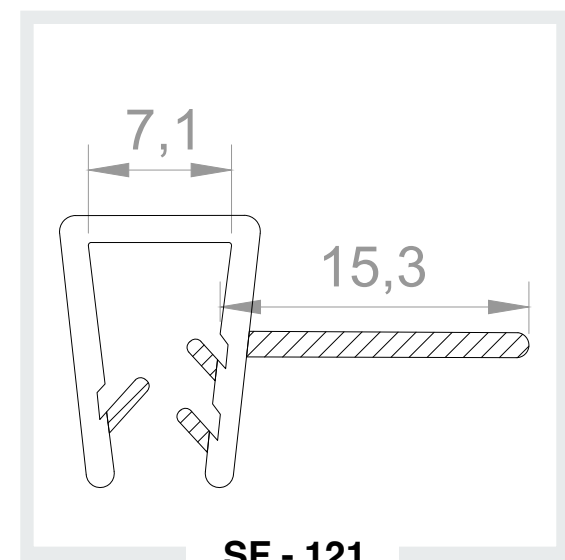
SF - 119

Glass :



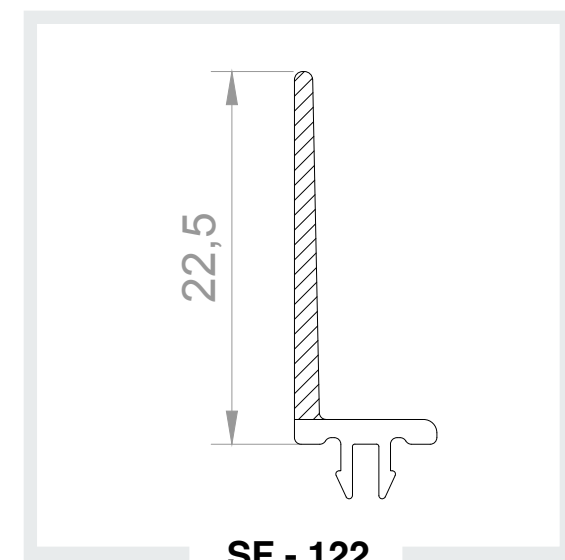
SF - 120

Glass :



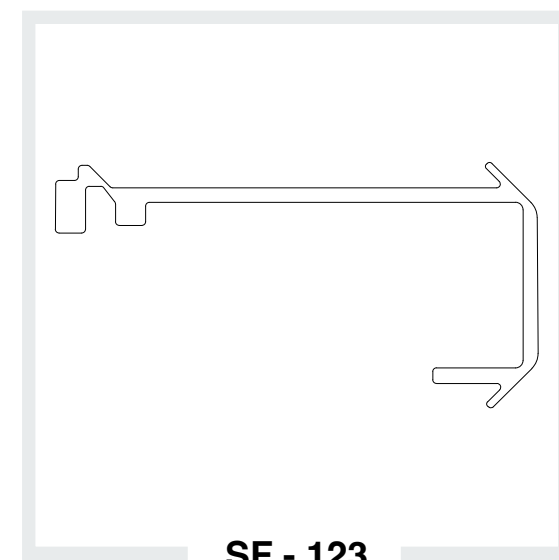
SF - 121

Glass :



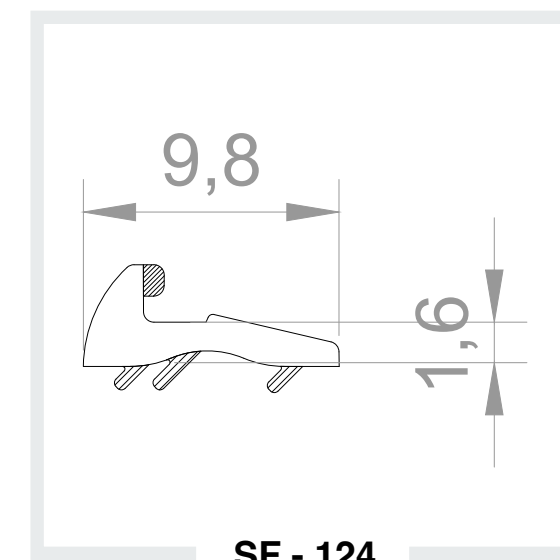
SF - 122

Glass :



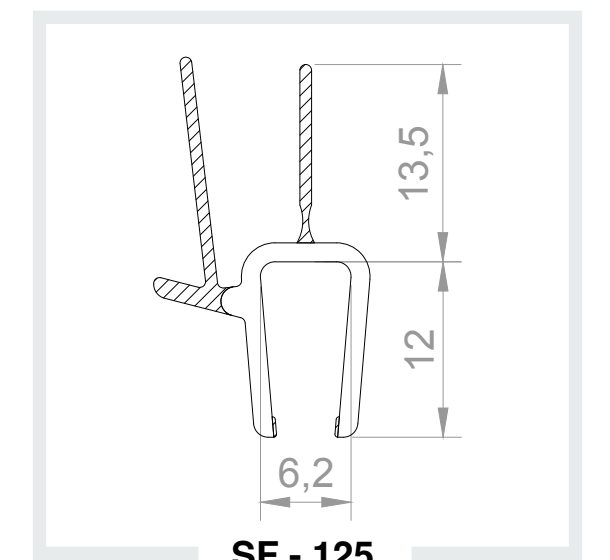
SF - 123

Glass :



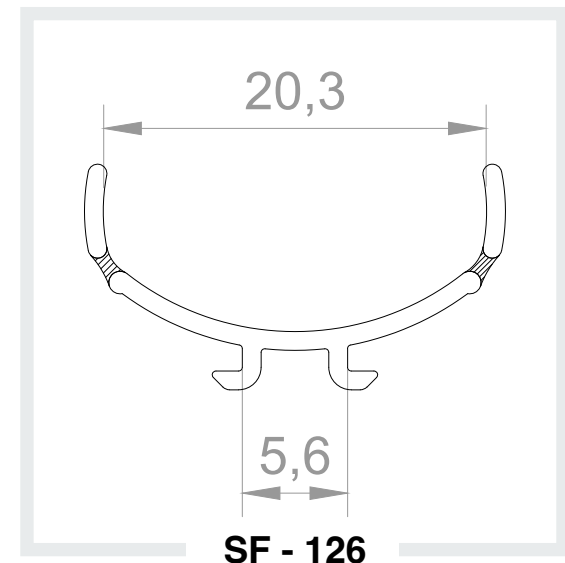
SF - 124

Glass :



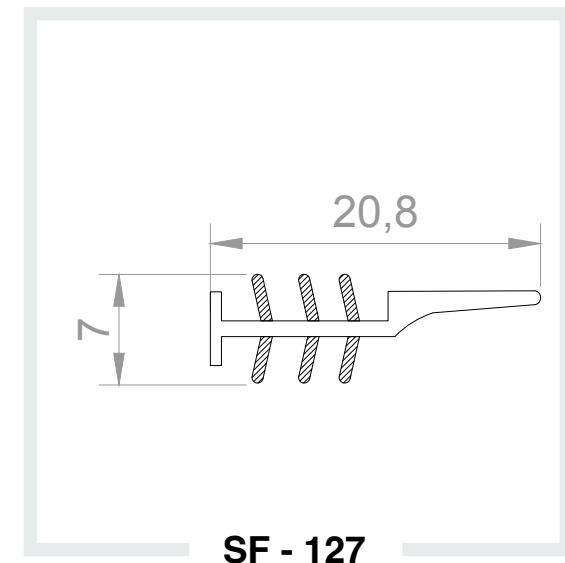
SF - 125

Glass :



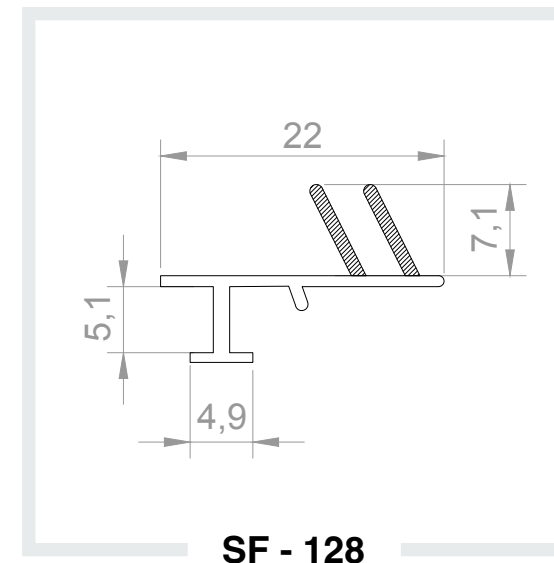
SF - 126

Glass :



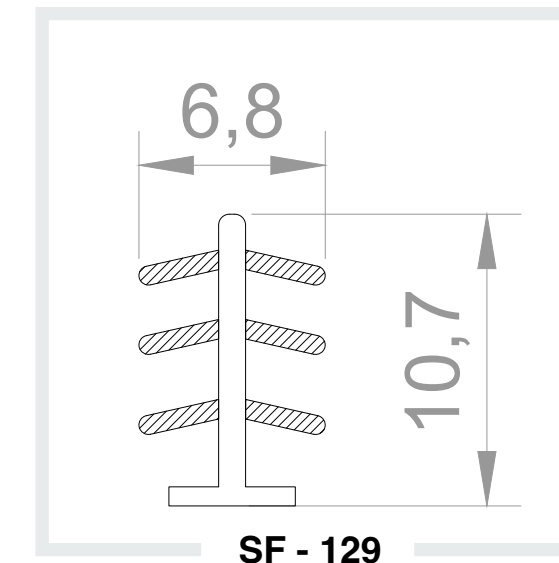
SF - 127

Glass :



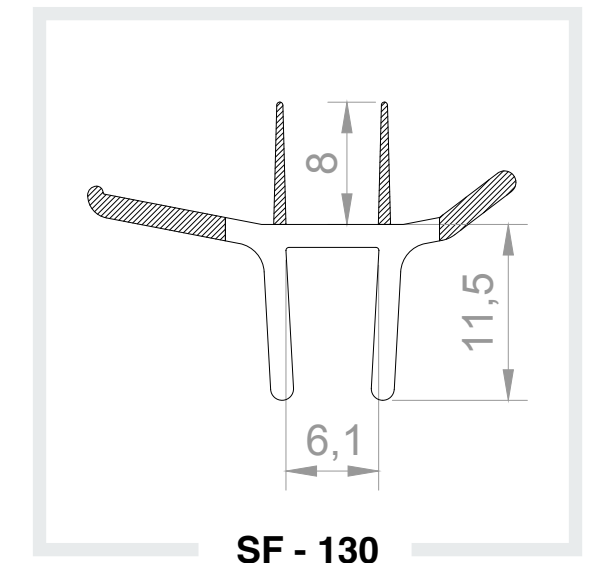
SF - 128

Glass :



SF - 129

Glass :



SF - 130

Glass :

COLORS



RIGID PVC



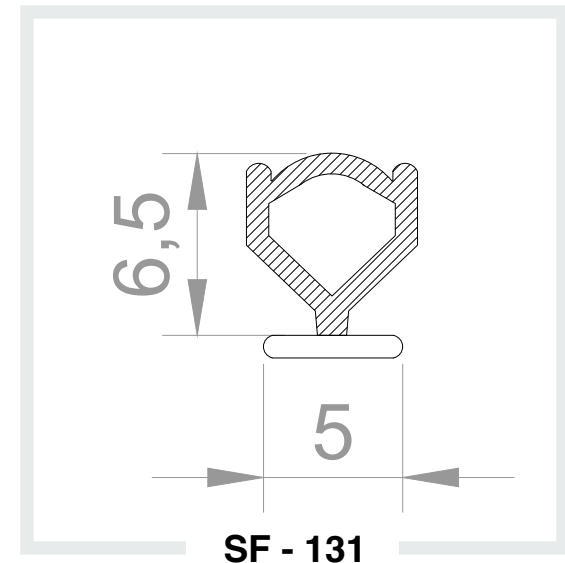
SOFT PVC



MAGNET



COATING



SF - 131

Glass :



SF - 132

Glass :



SF - 133

Glass :



SF - 134

Glass :



SF - 135

Glass :



SF - 136

Glass :



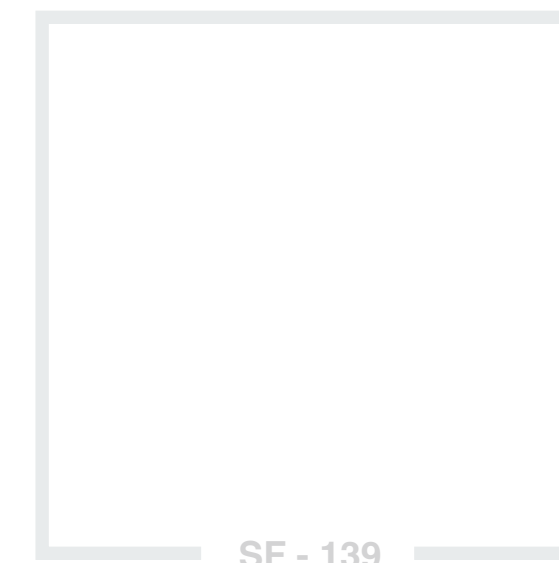
SF - 137

Glass :



SF - 138

Glass :



SF - 139

Glass :



SF - 140

Glass :



Magnetic Power:

Scrollable, friction resistant
and powerful

M

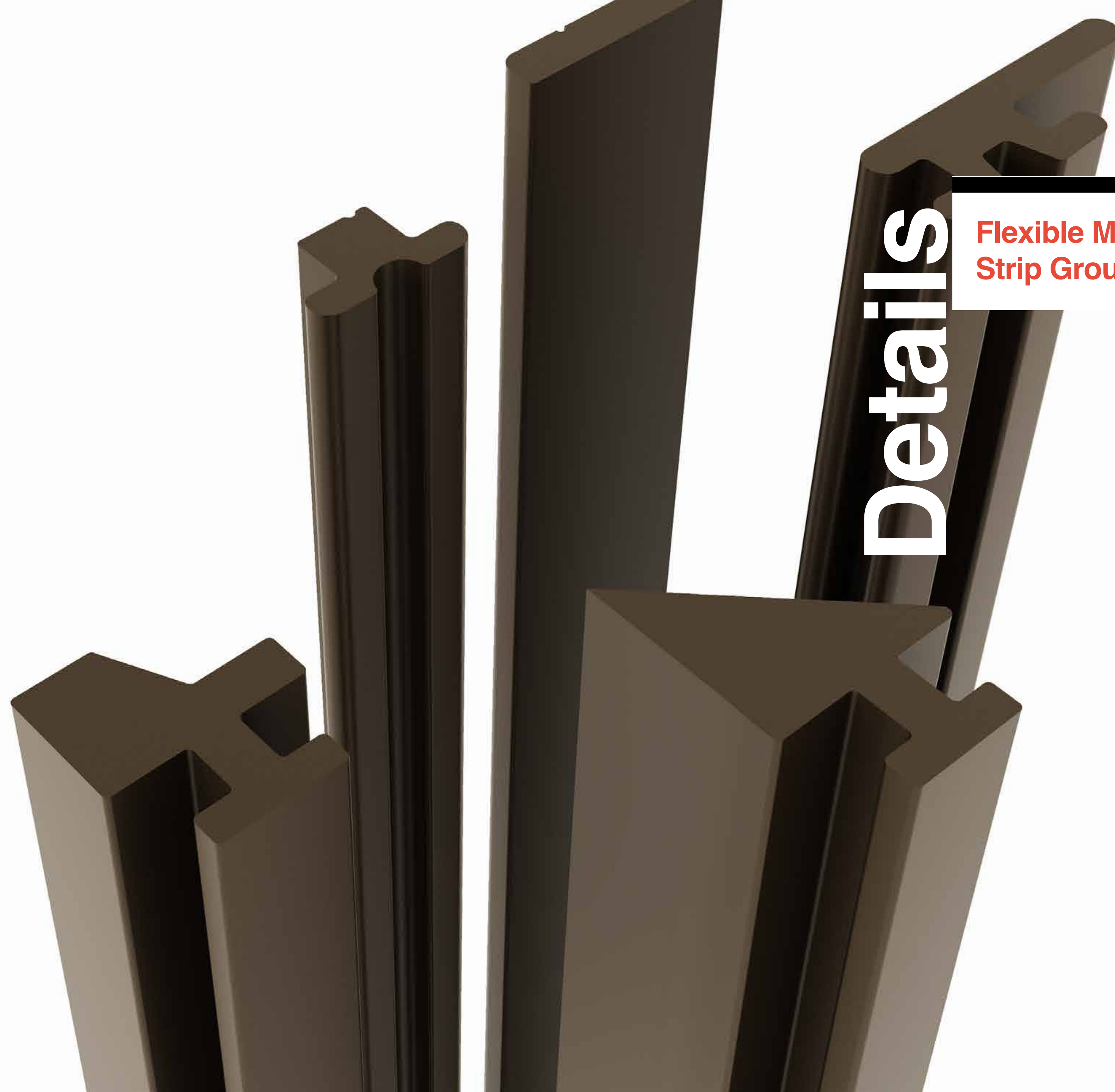
FLEXIBLE MAGNET SEAL STRIP GROUP

Windable

Breakage
resistant

Freedom of
Polarity

High Gauss



Details

**Flexible Magnet Seal
Strip Group**

COLORS



RIGID PVC



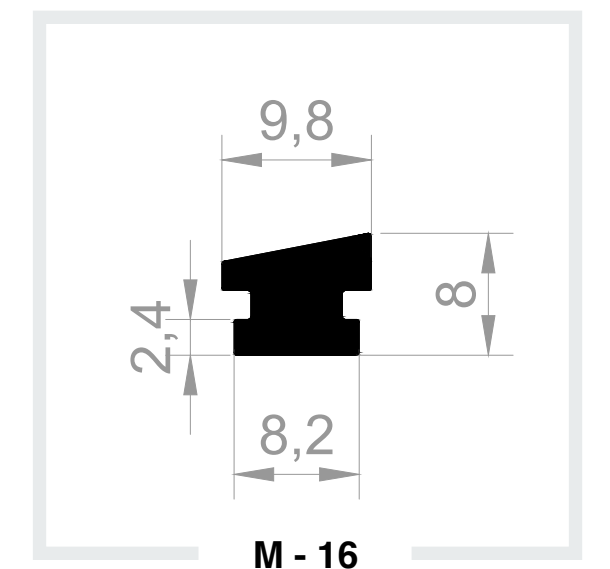
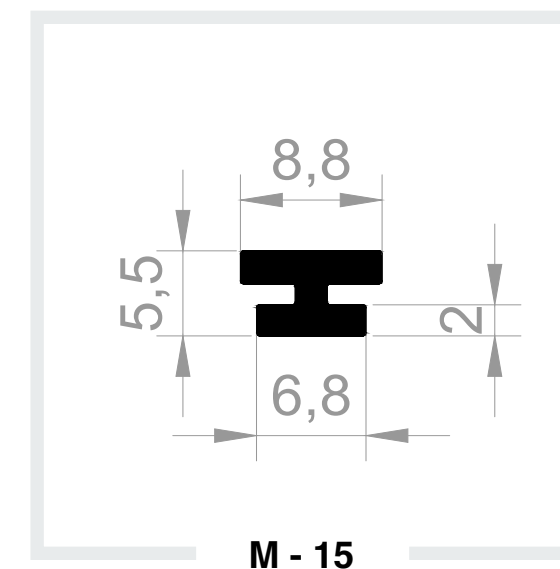
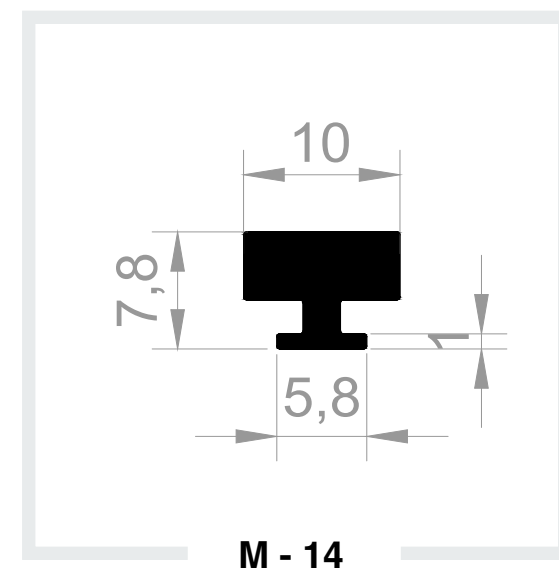
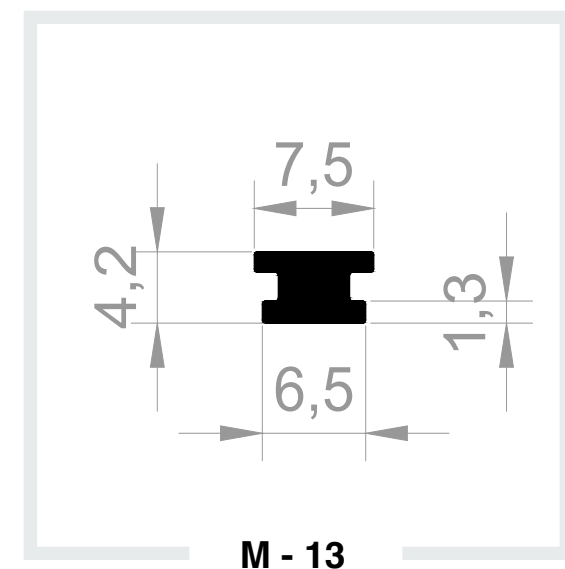
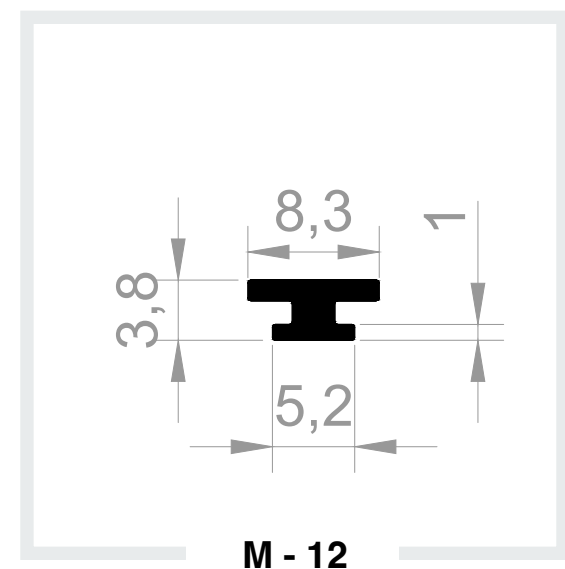
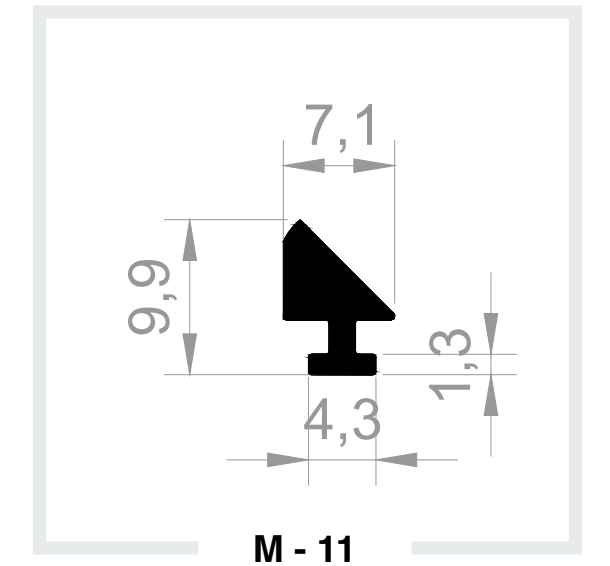
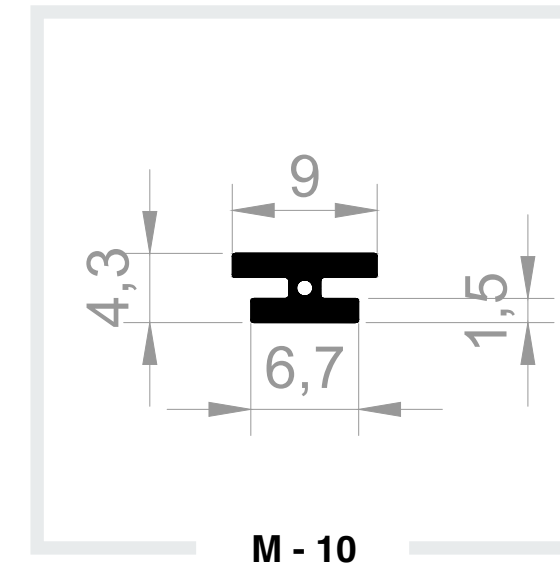
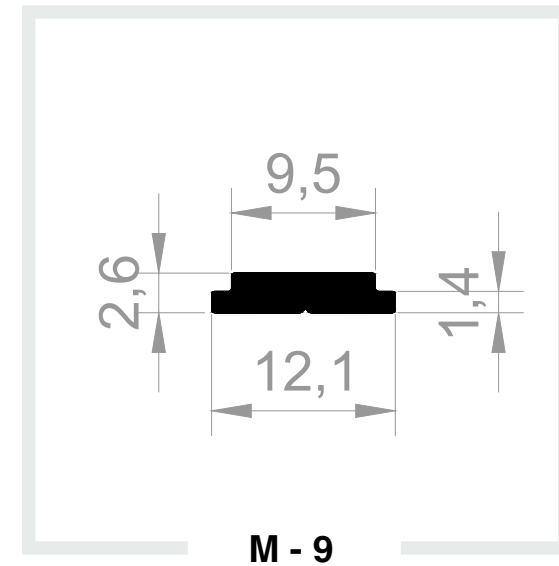
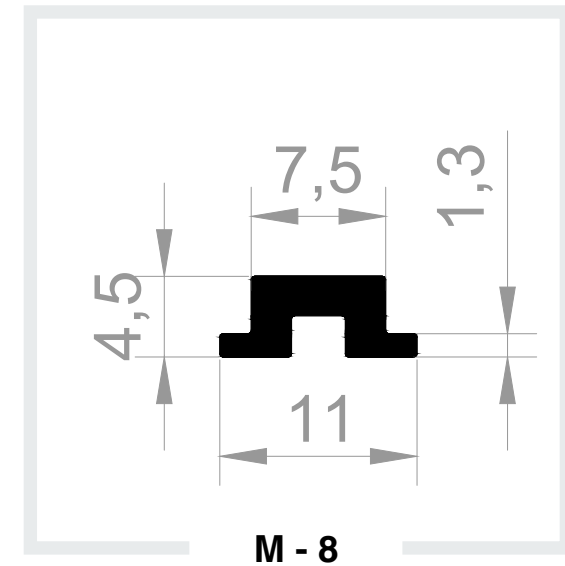
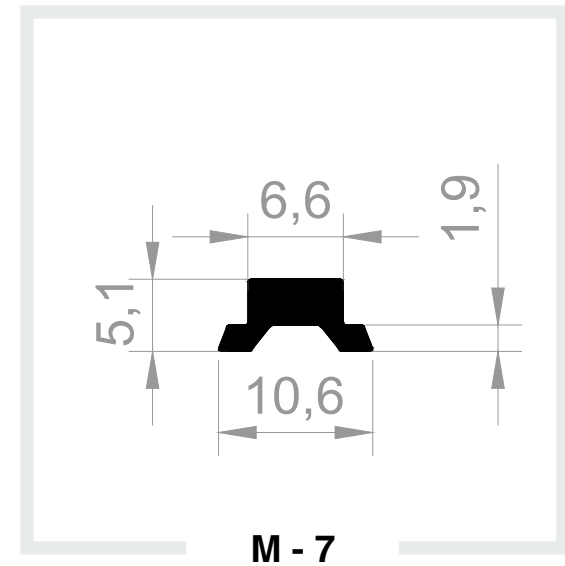
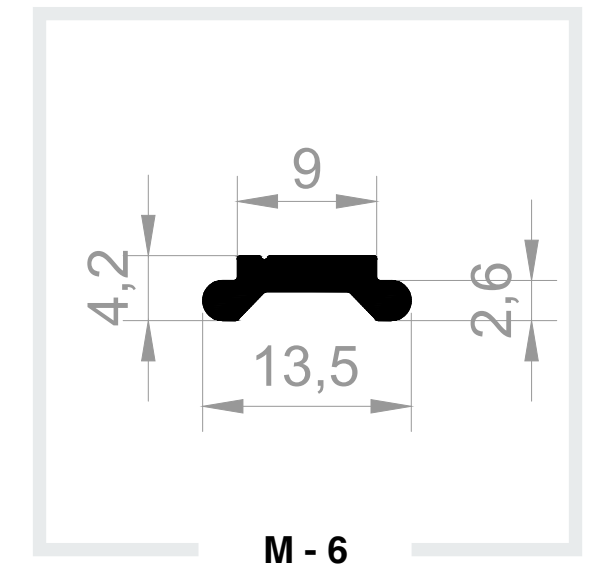
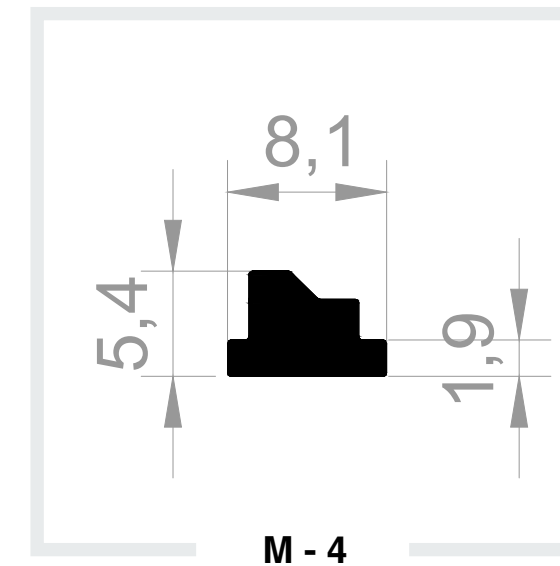
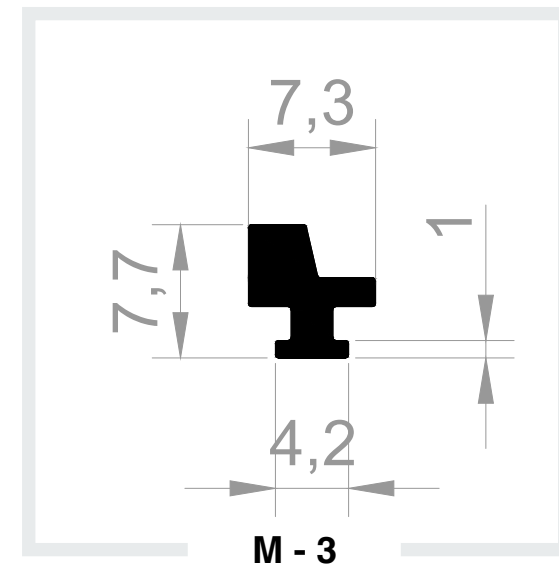
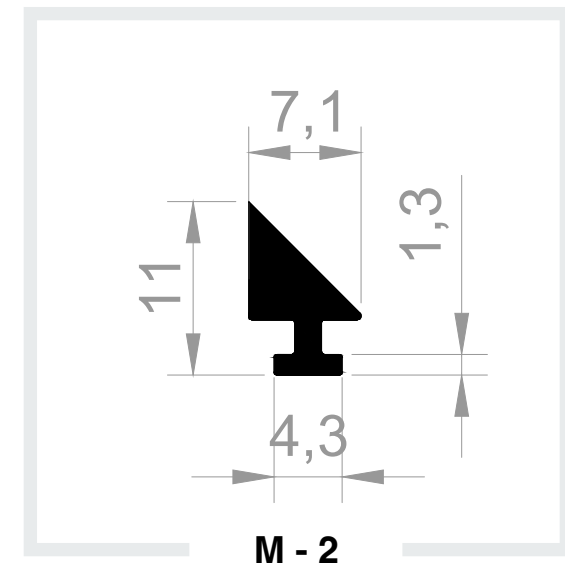
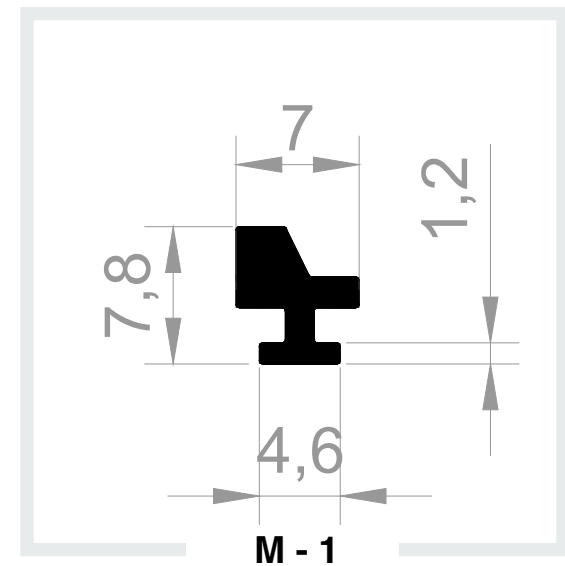
SOFT PVC



MAGNET



COATING



COLORS



RIGID PVC



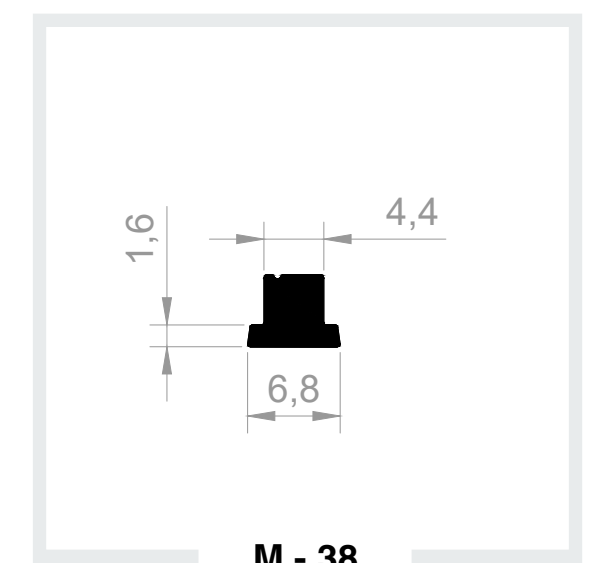
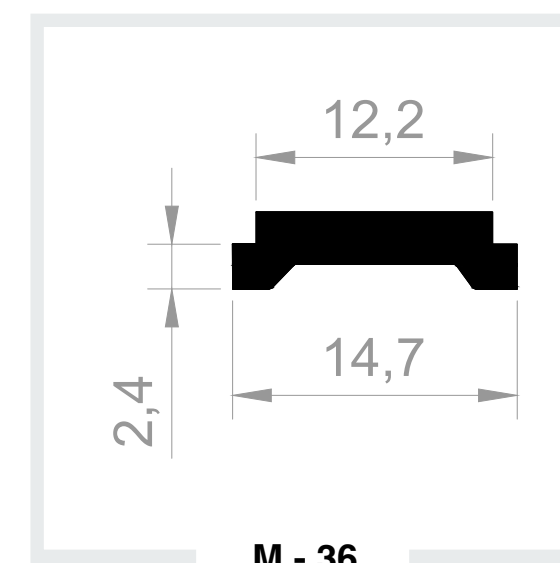
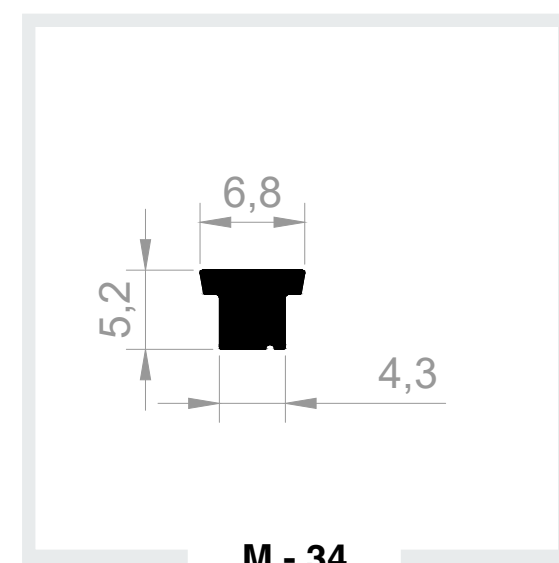
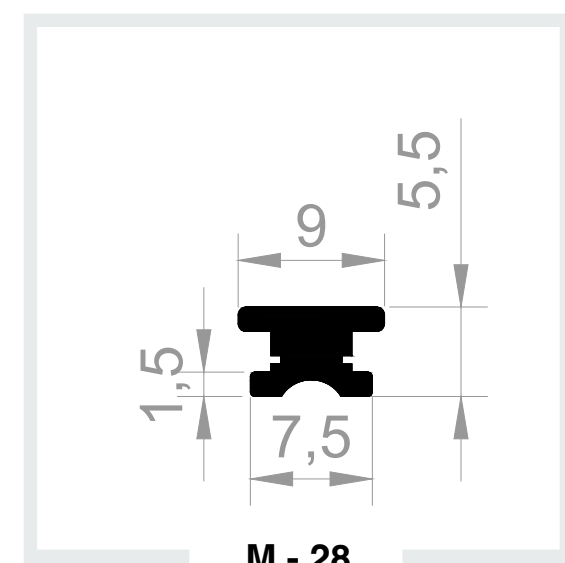
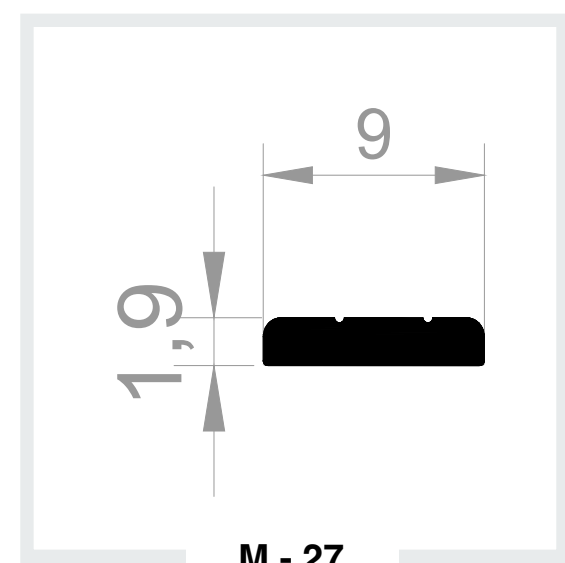
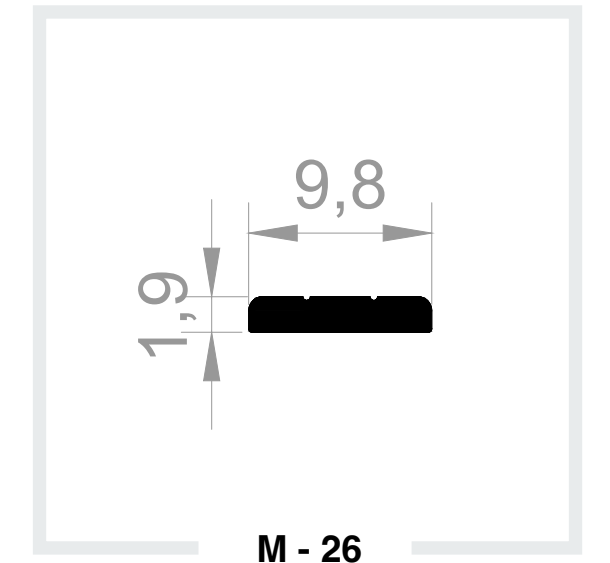
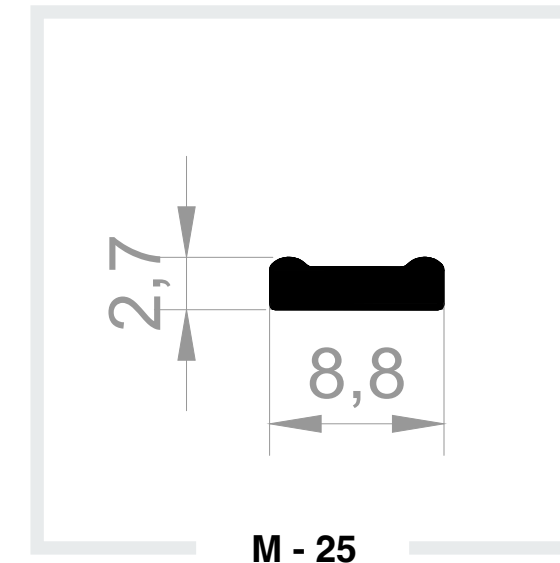
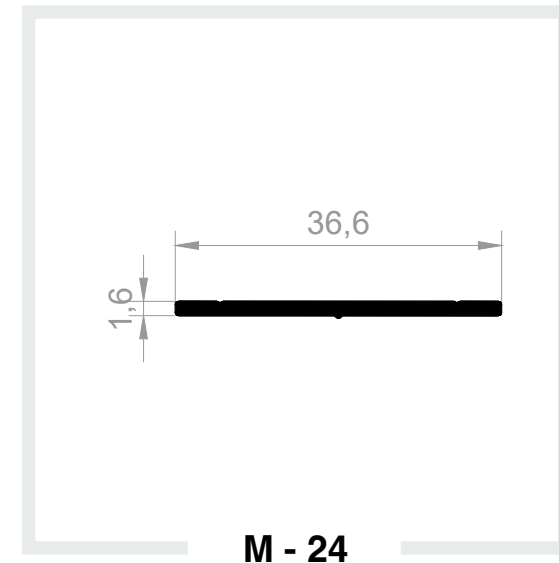
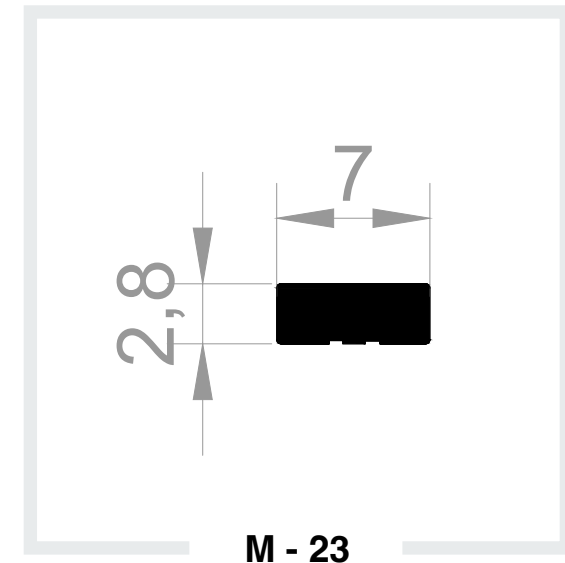
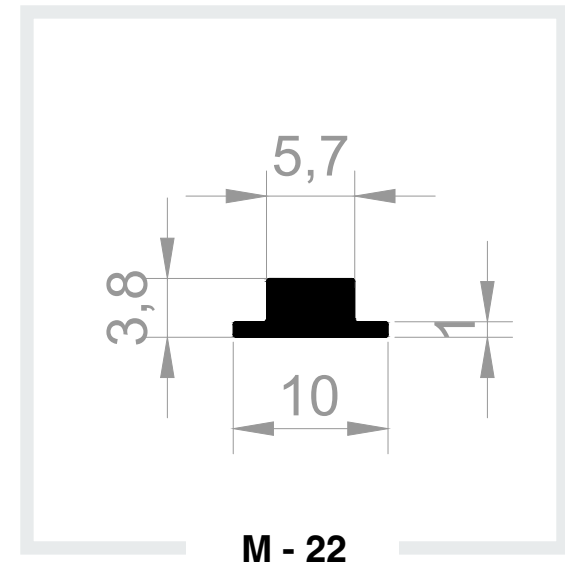
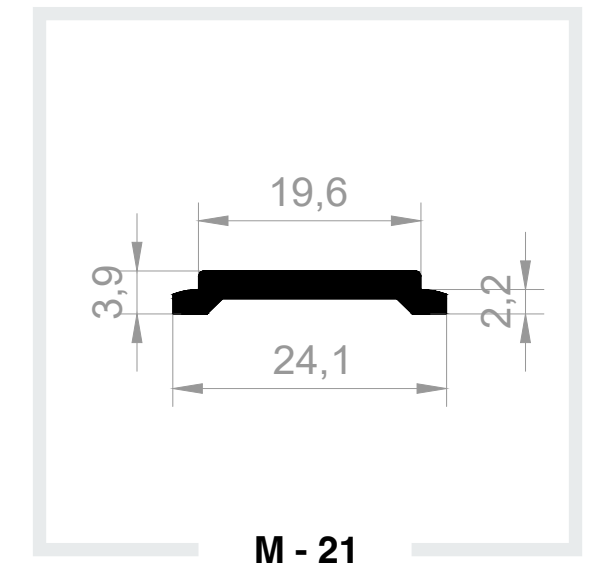
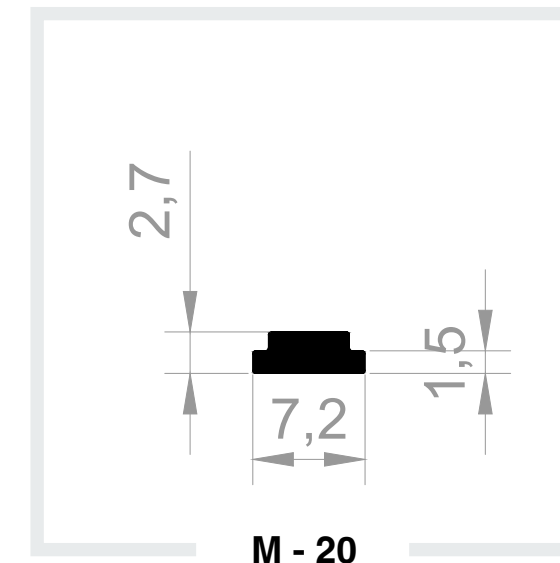
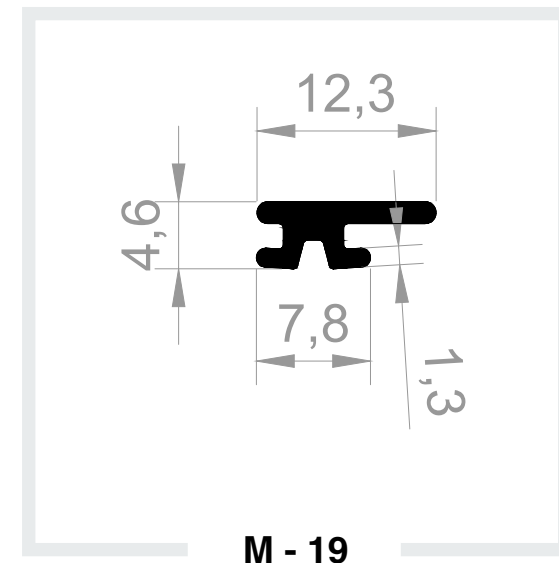
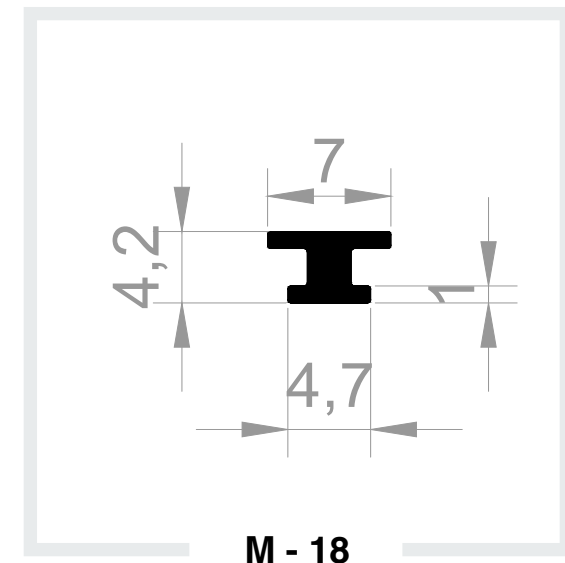
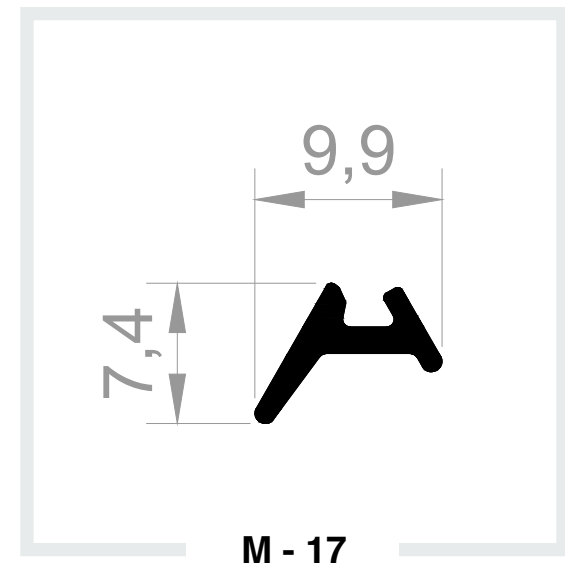
SOFT PVC



MAGNET



COATING



COLORS



RIGID PVC



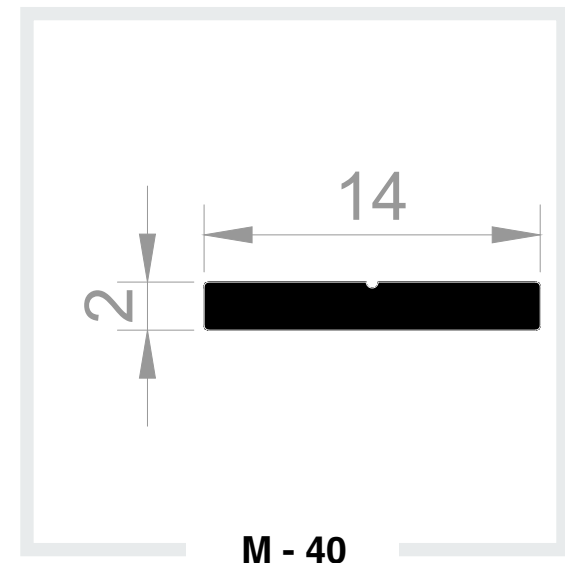
SOFT PVC



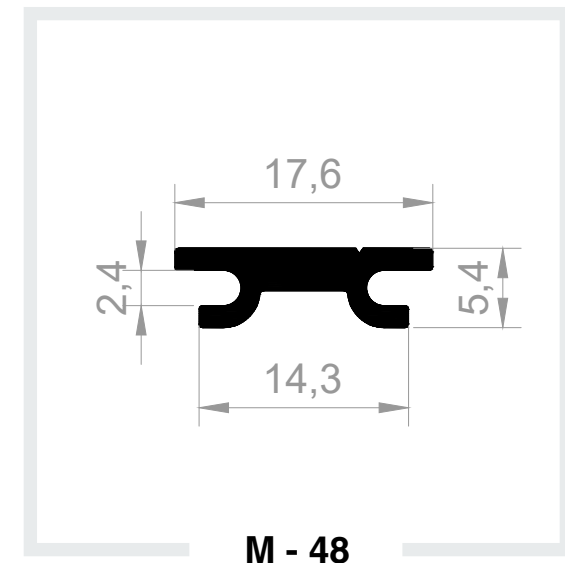
MAGNET



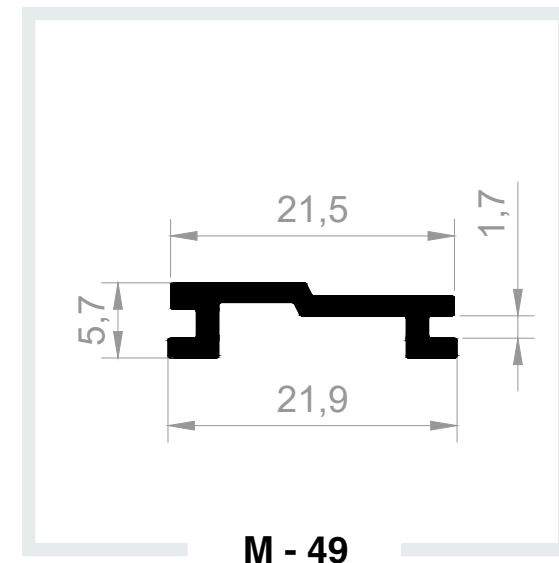
COATING



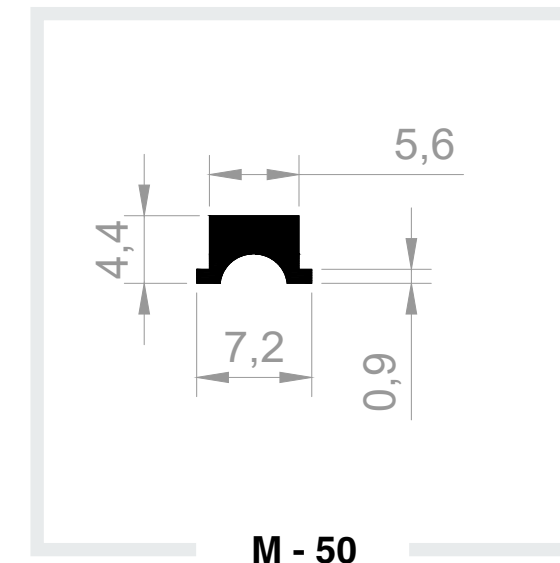
M - 40



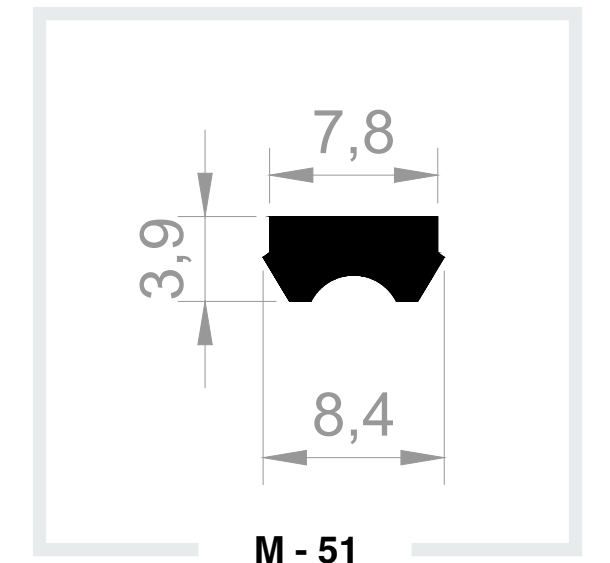
M - 48



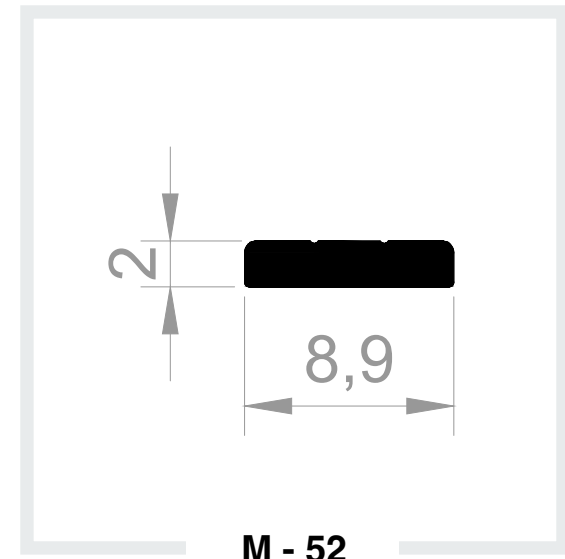
M - 49



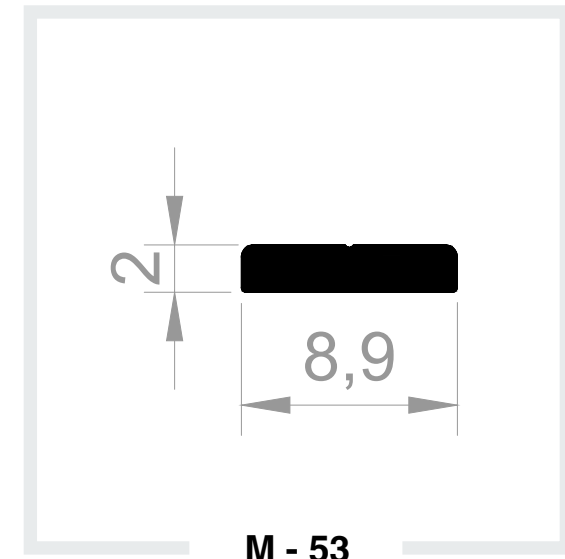
M - 50



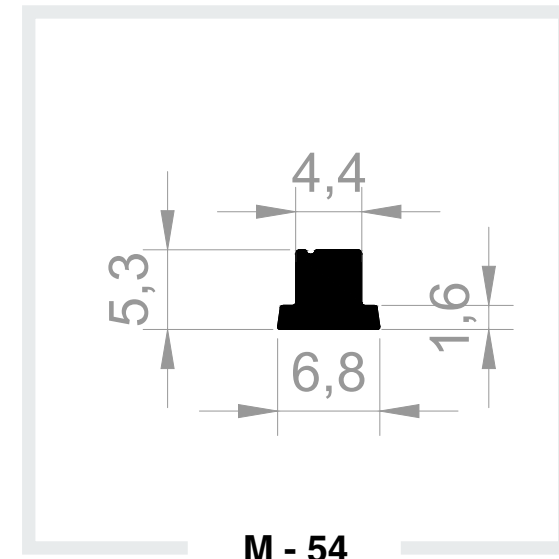
M - 51



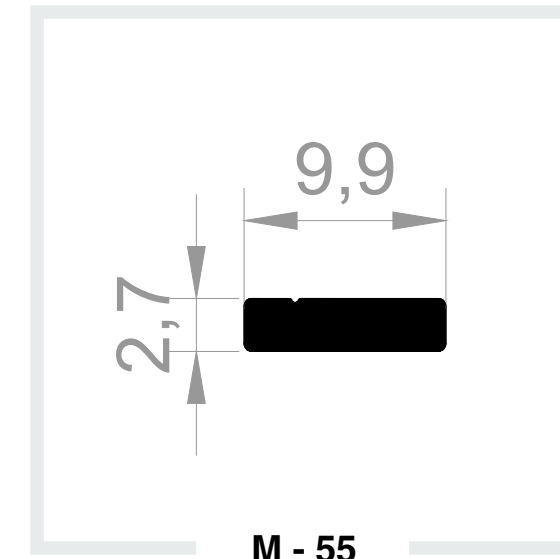
M - 52



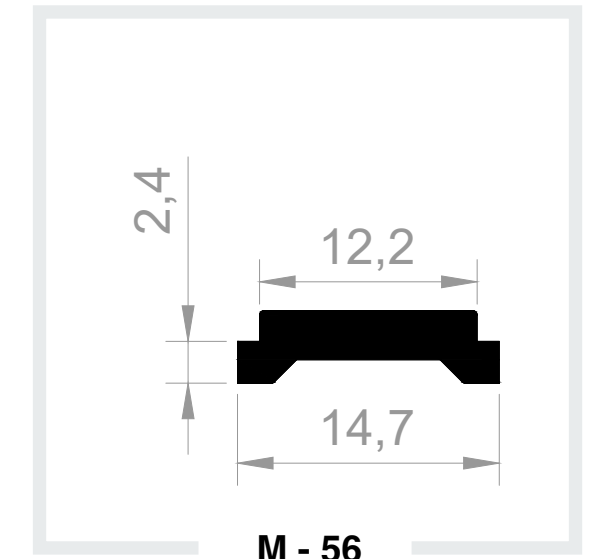
M - 53



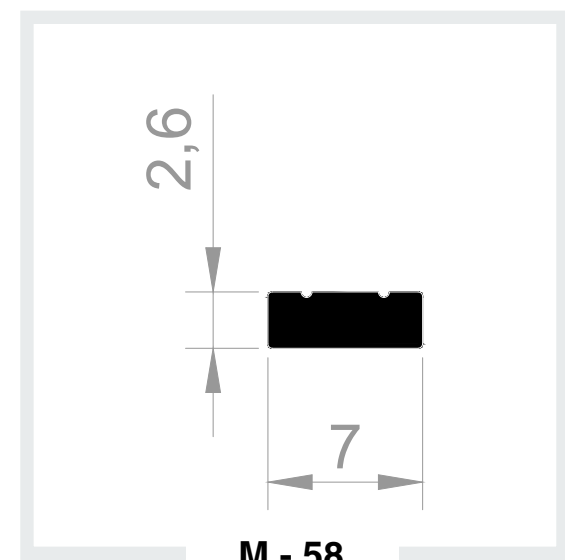
M - 54



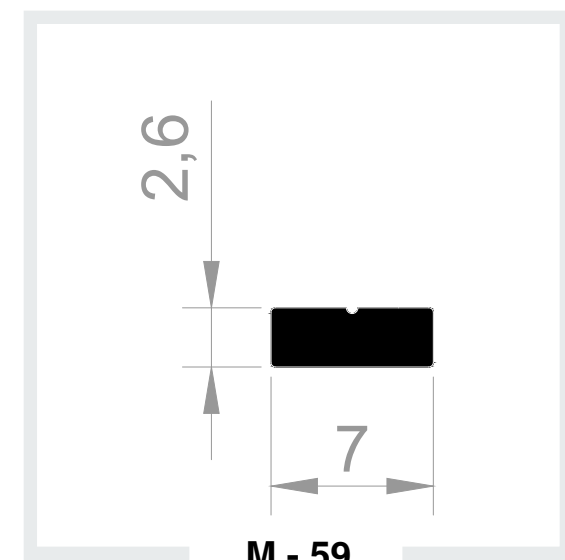
M - 55



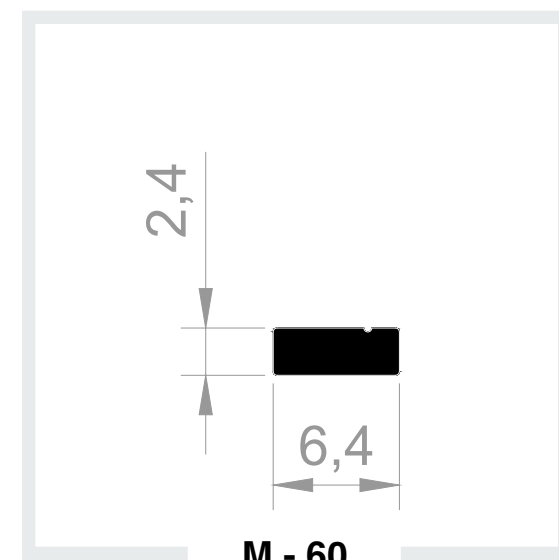
M - 56



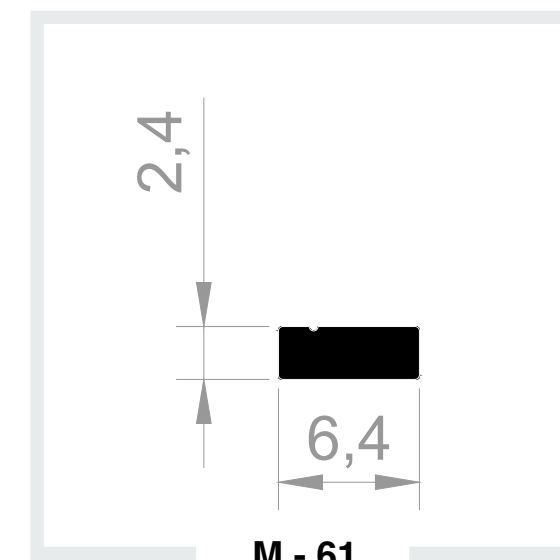
M - 58



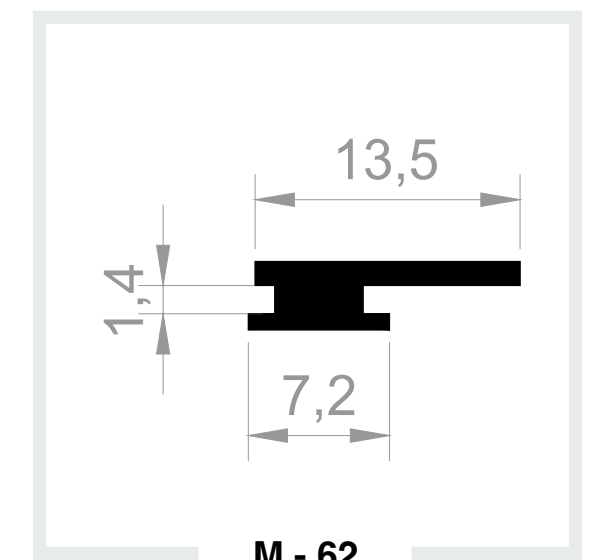
M - 59



M - 60



M - 61



M - 62

COLORS



RIGID PVC



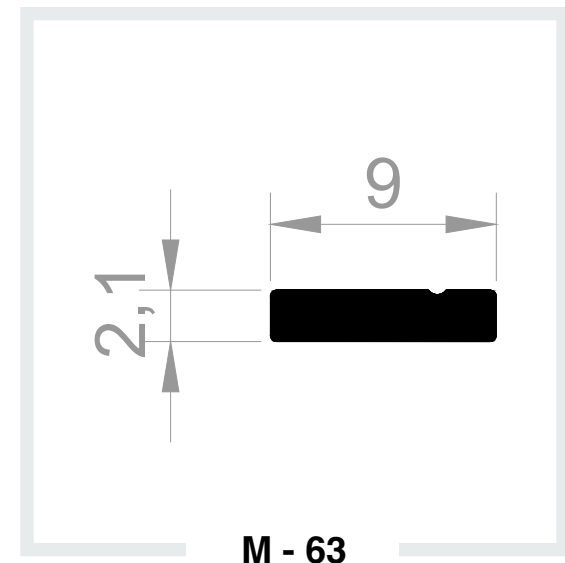
SOFT PVC



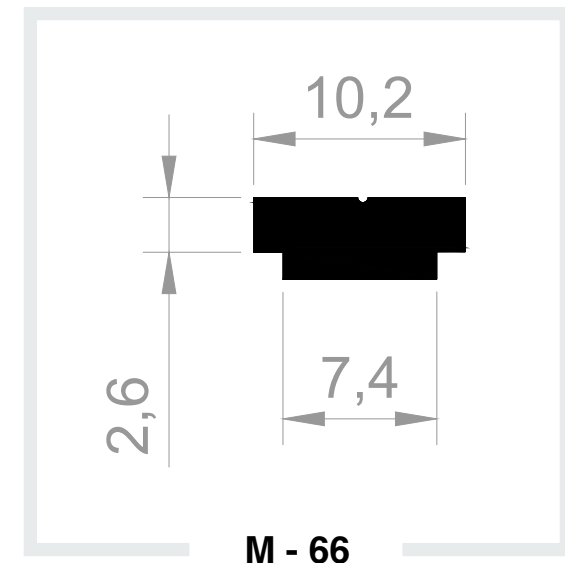
MAGNET



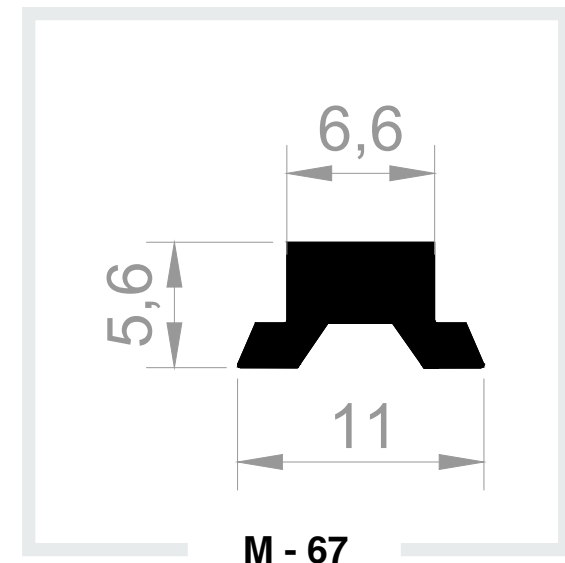
COATING



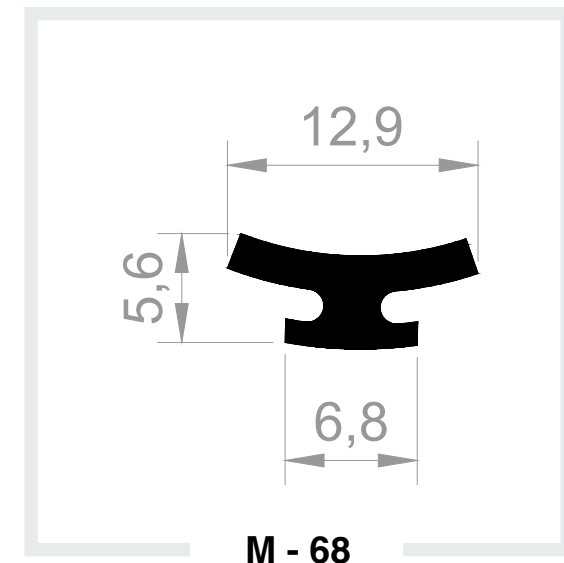
M - 63



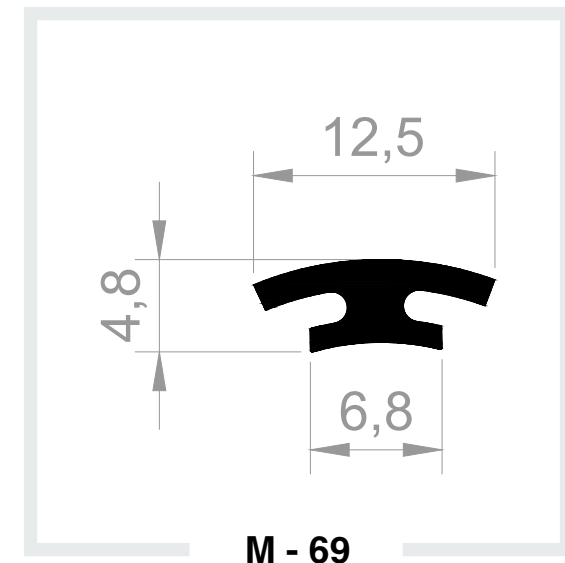
M - 66



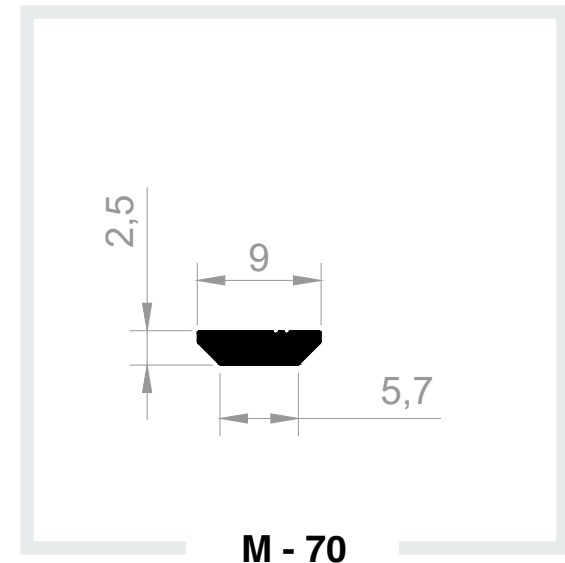
M - 67



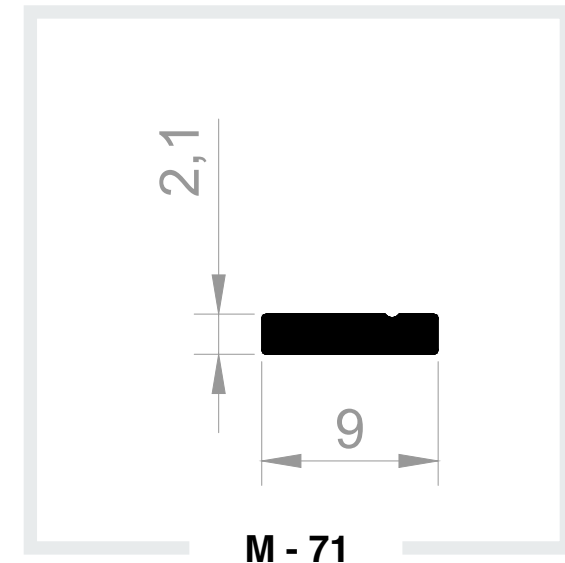
M - 68



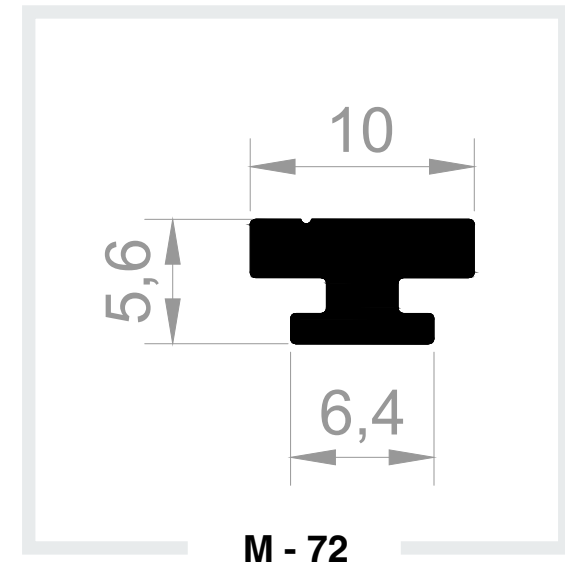
M - 69



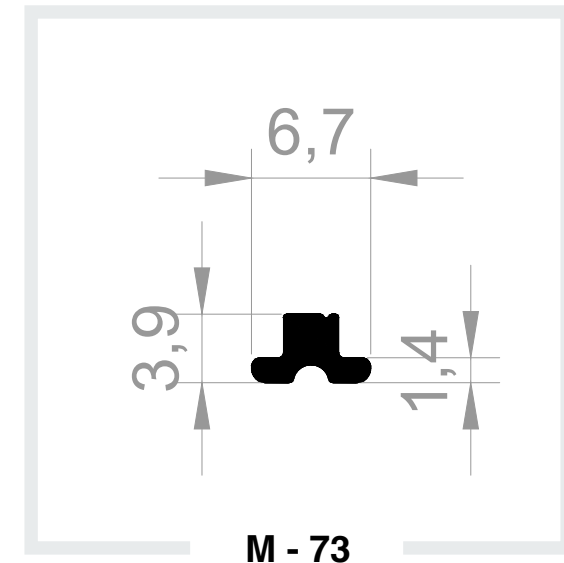
M - 70



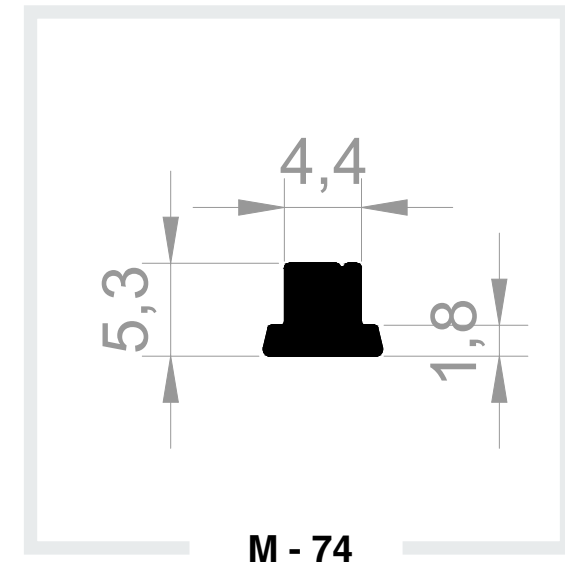
M - 71



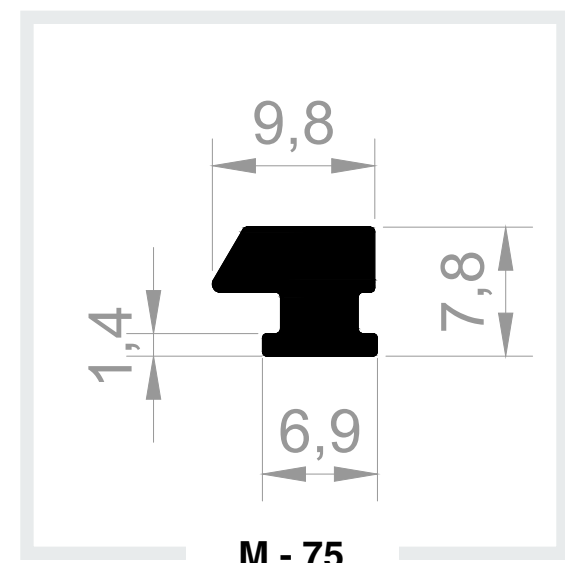
M - 72



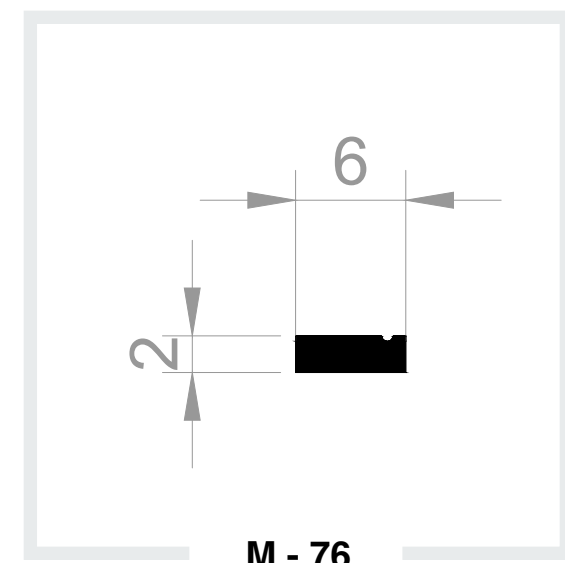
M - 73



M - 74



M - 75



M - 76



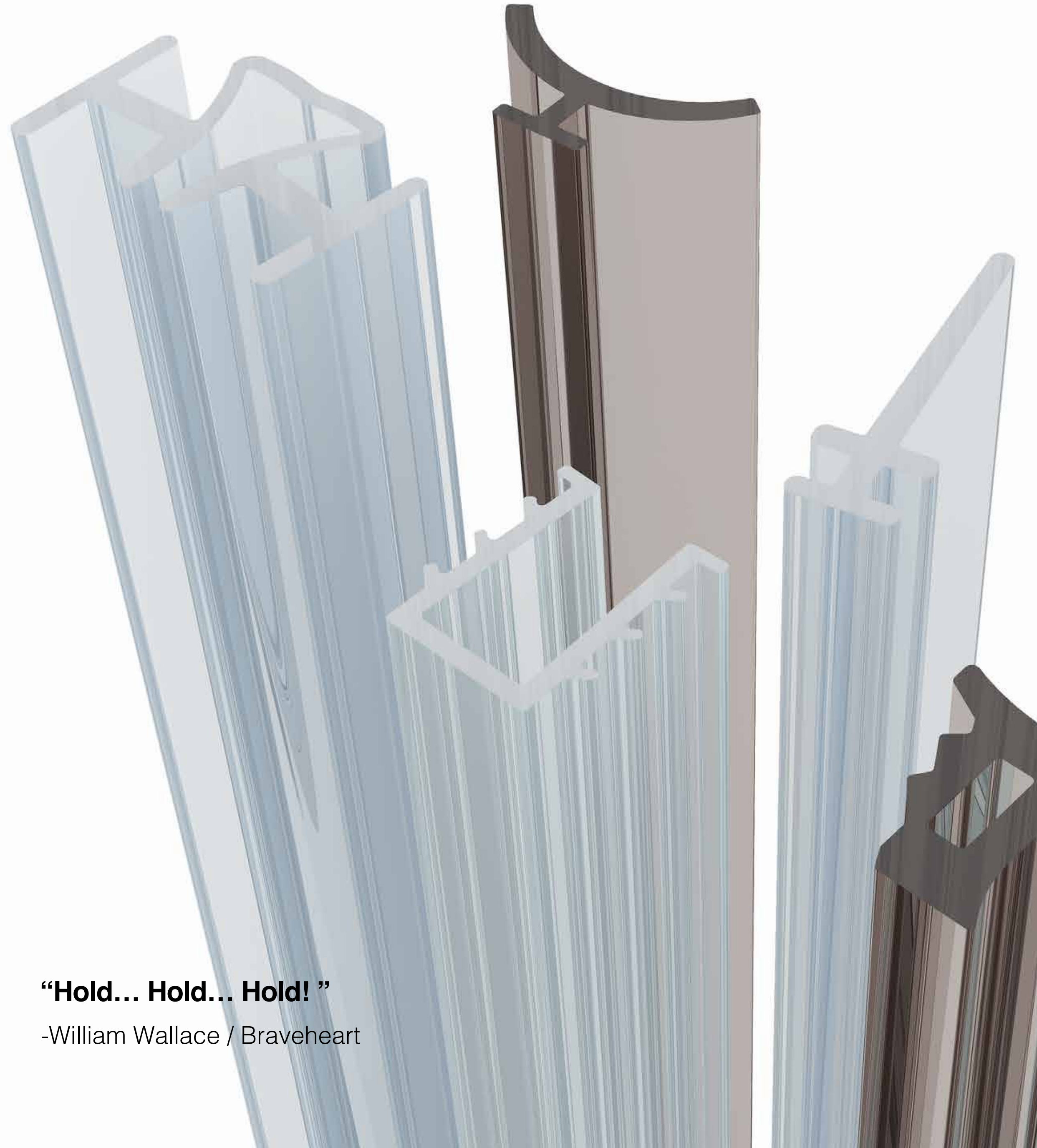
M - 77



M - 78



M - 79



“Hold... Hold... Hold!”

-William Wallace / Braveheart

S

SOFT SEALING GROUP



Details

Soft Sealing Group

- UV Resistant
- Between 35 Shore A and 95 Shore A
- High Transparency
- Multiple Colour Option
- Hardness

- Abrasion Resistant
- Full functionality between -35C and +85C
- High elasticity

COLORS



RIGID PVC



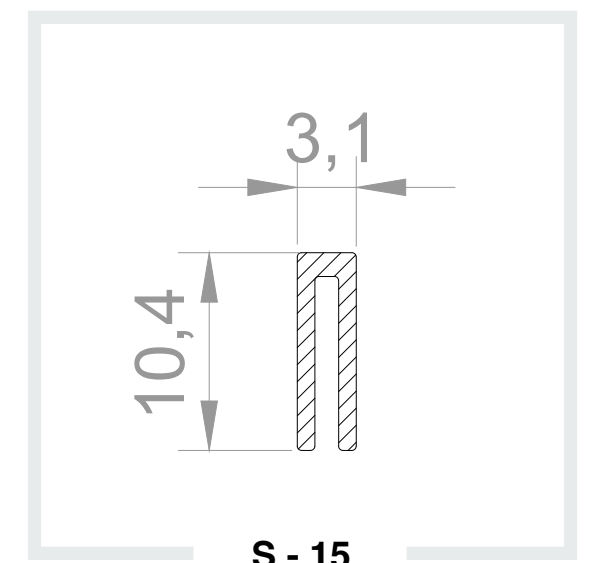
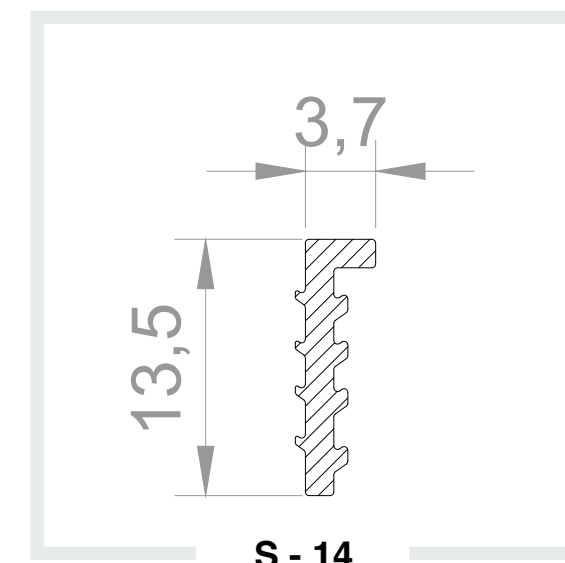
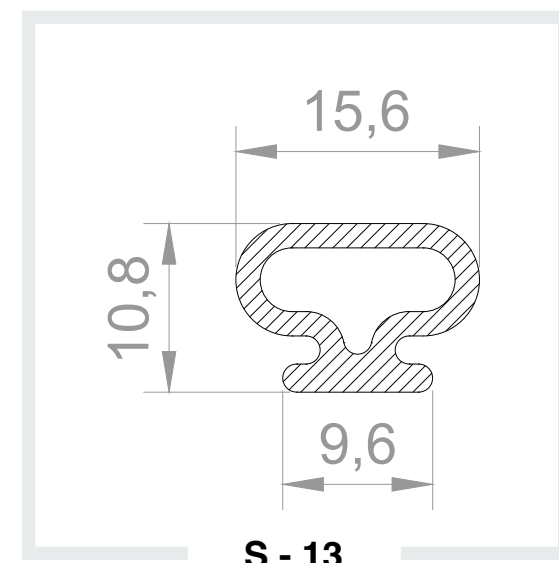
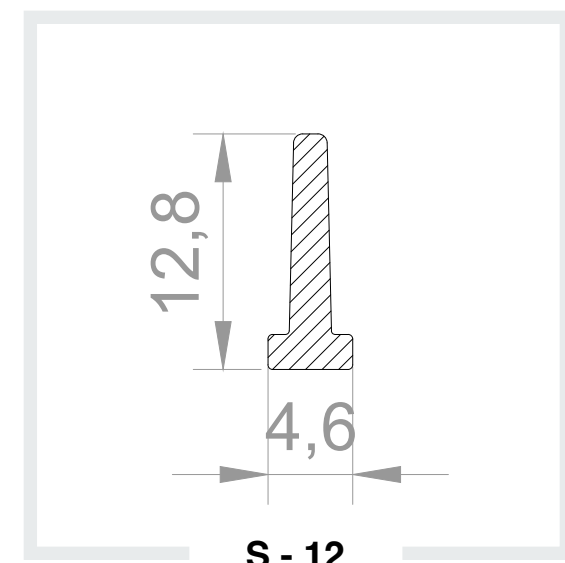
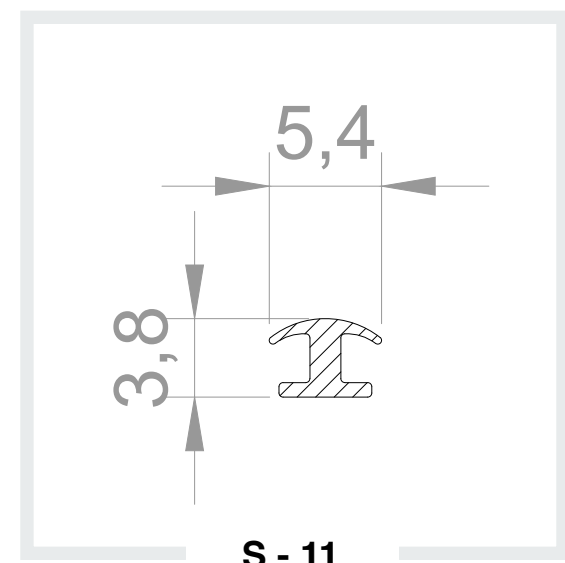
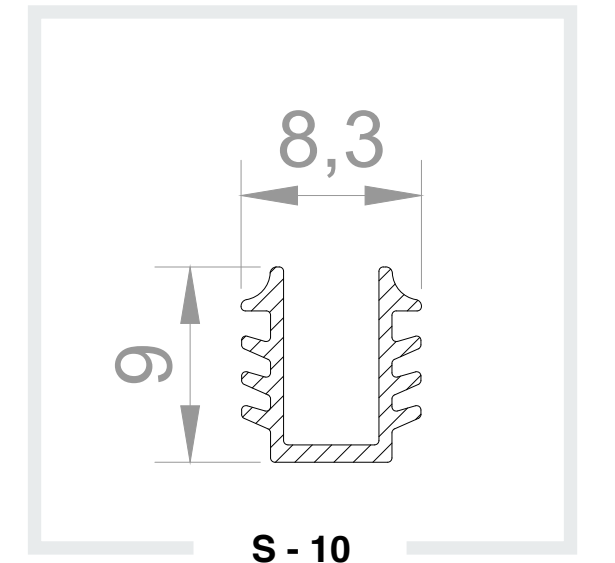
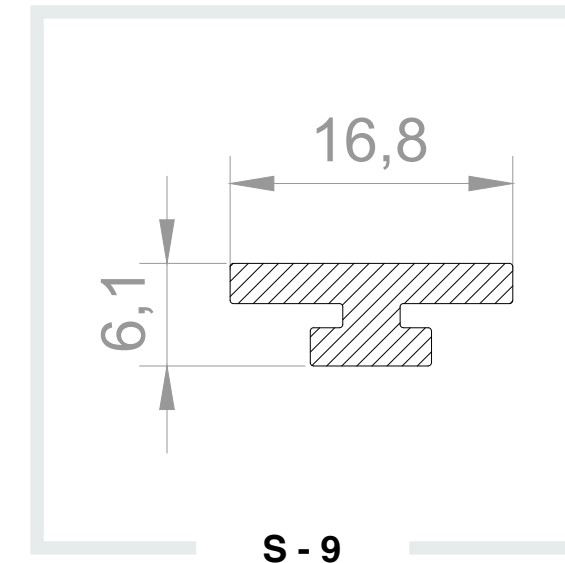
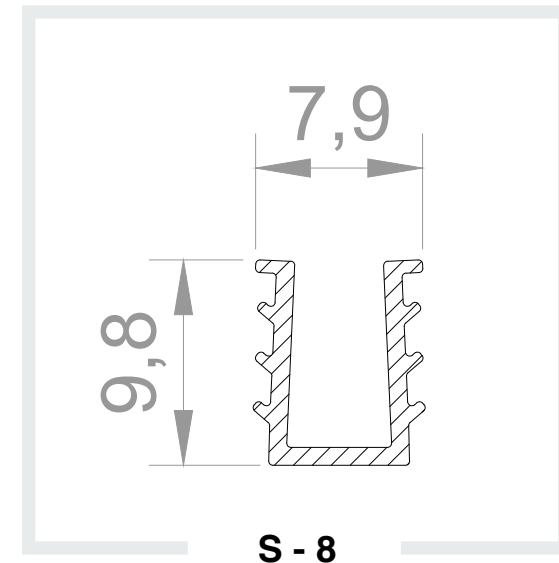
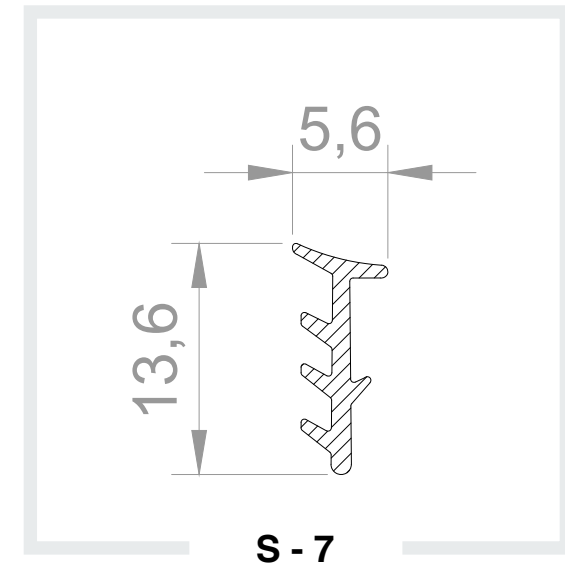
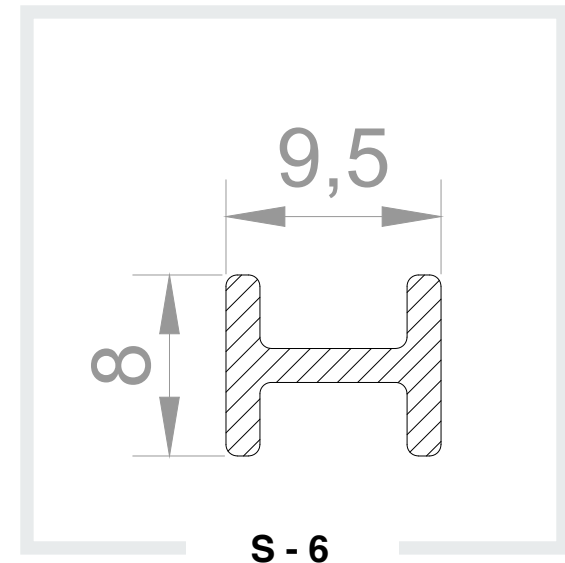
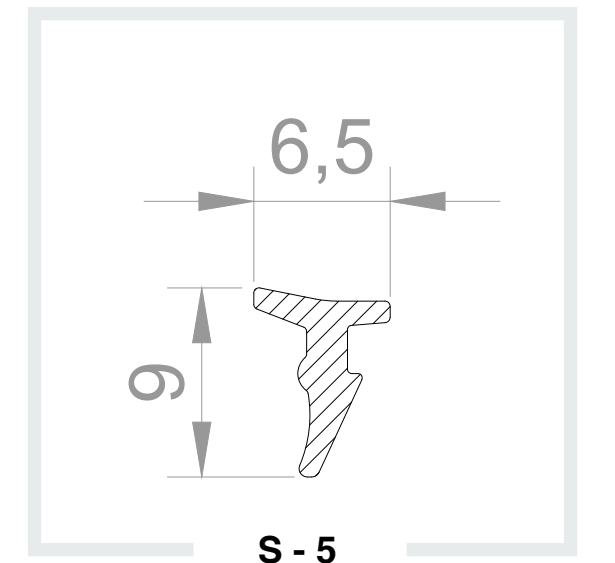
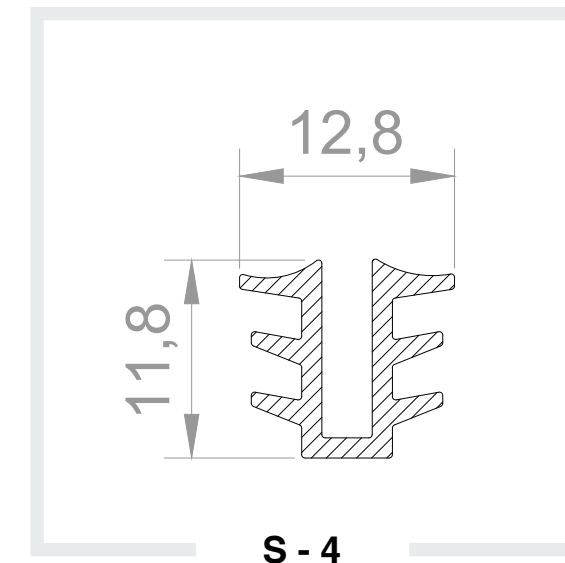
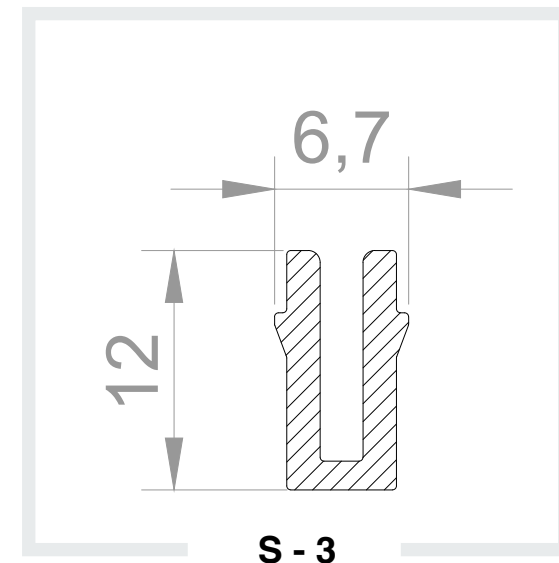
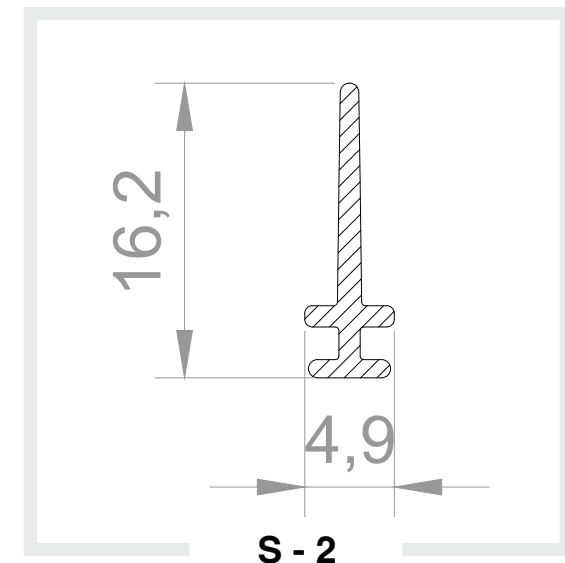
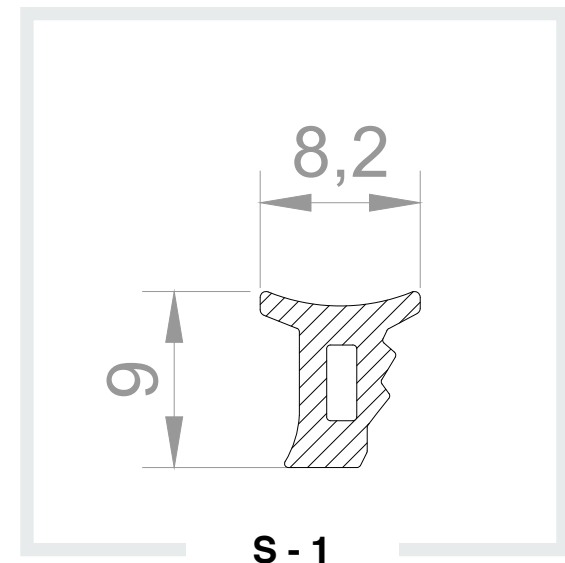
SOFT PVC



MAGNET



COATING



COLORS



RIGID PVC



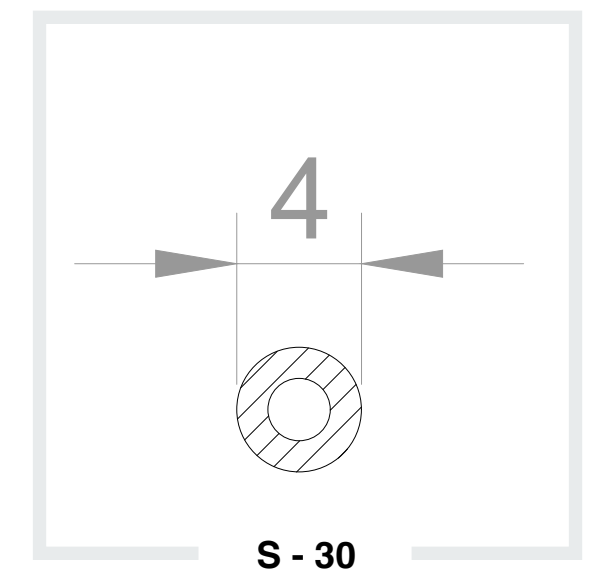
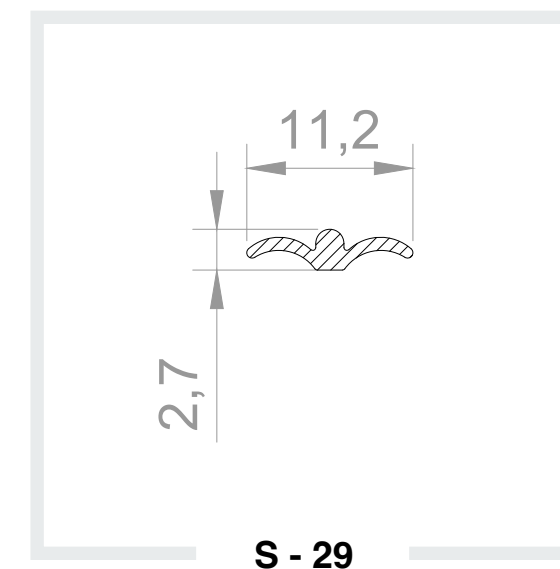
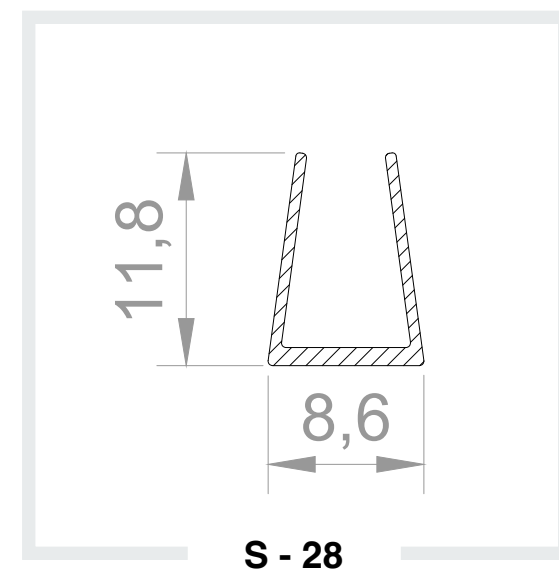
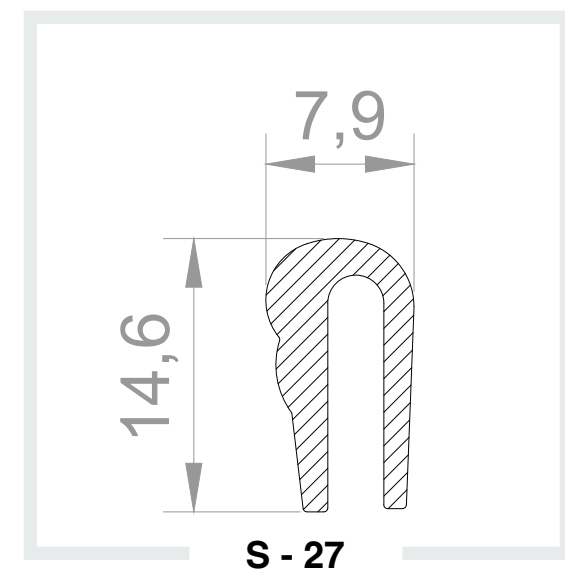
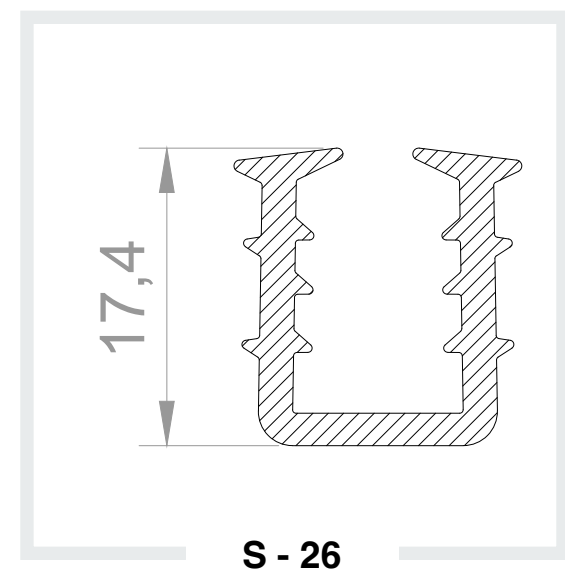
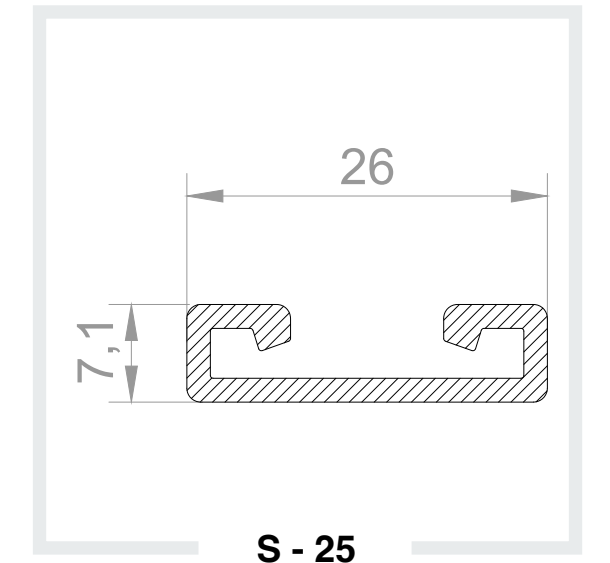
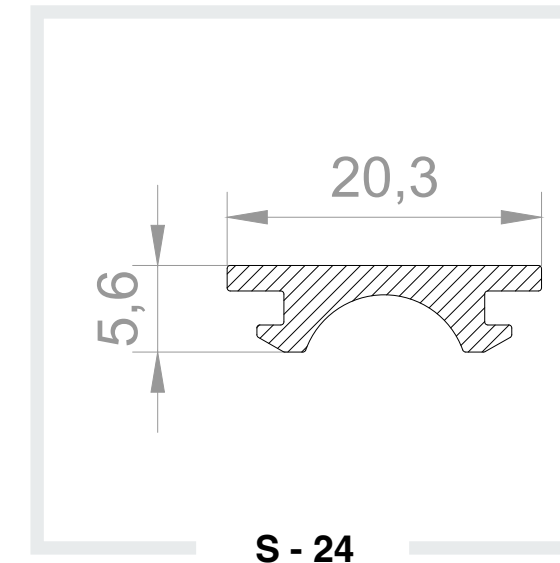
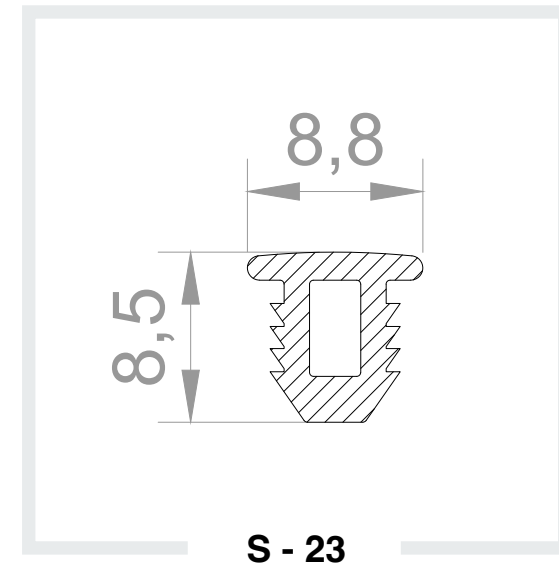
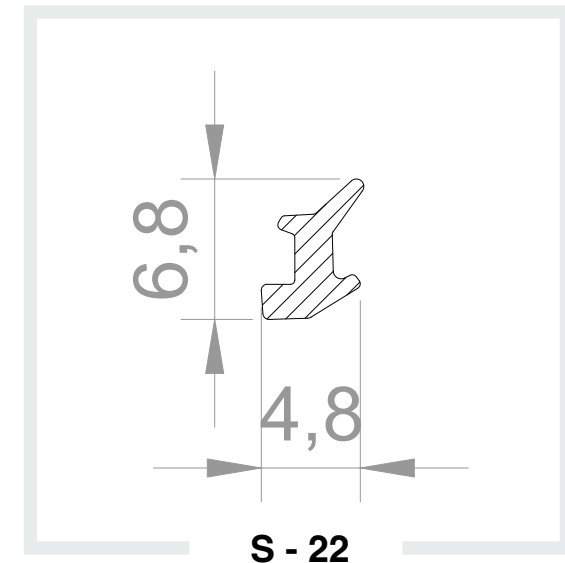
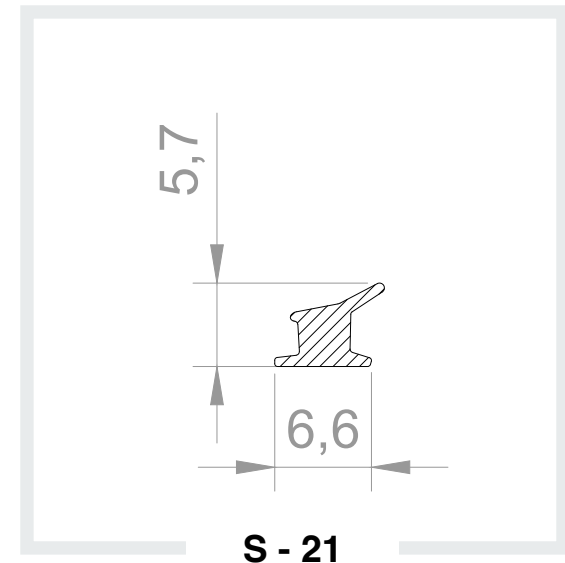
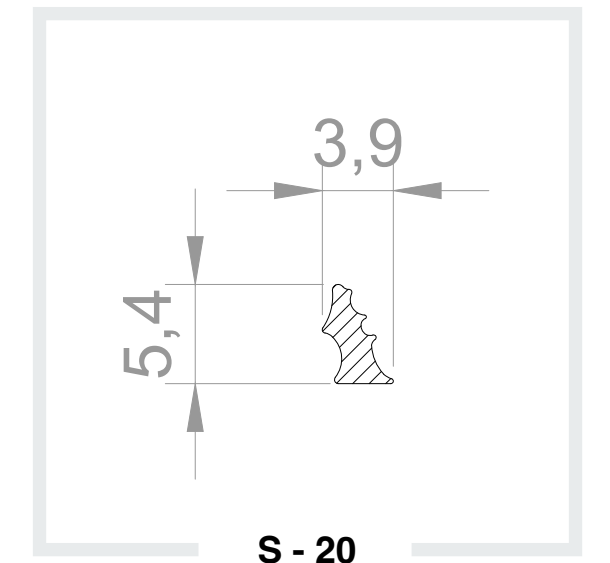
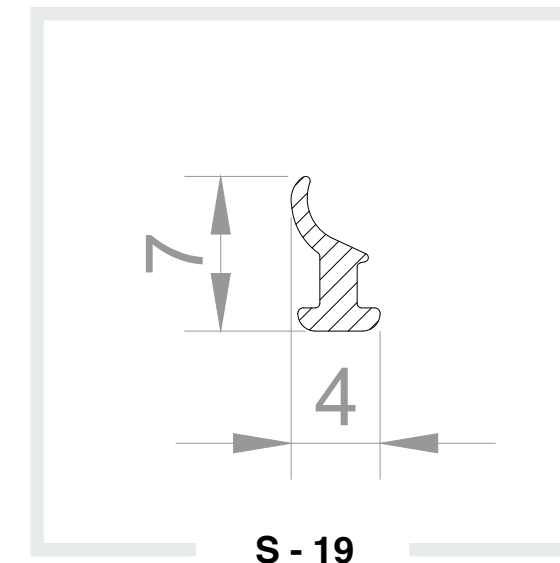
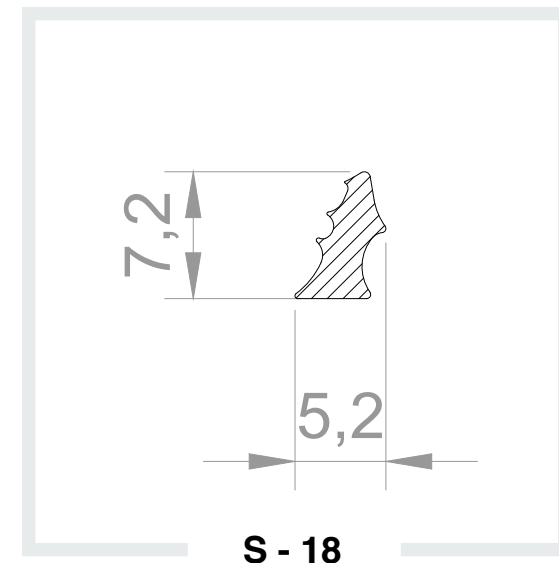
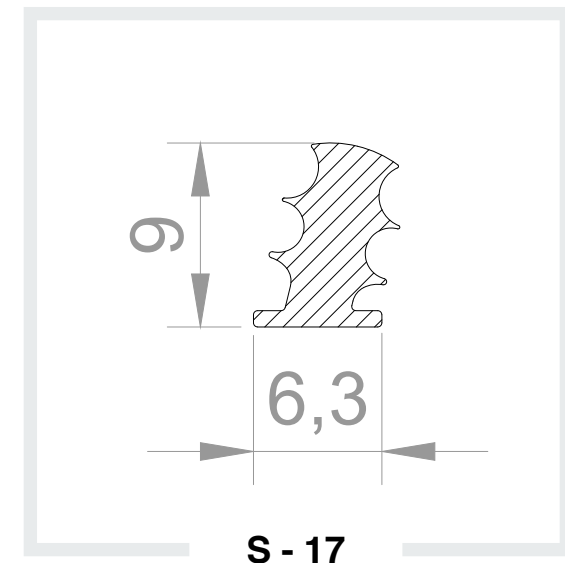
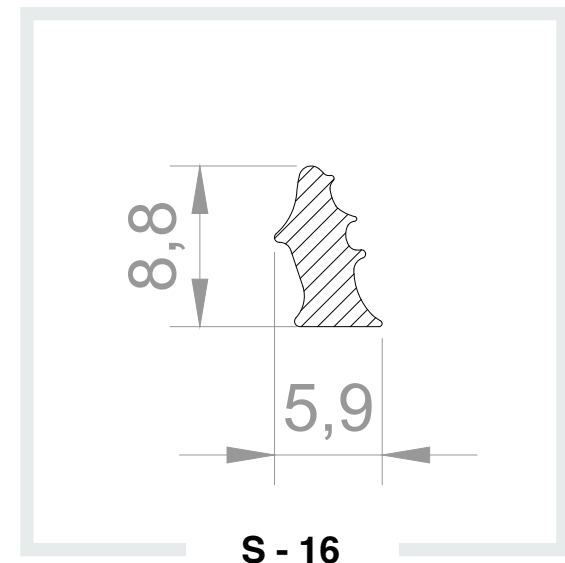
SOFT PVC



MAGNET



COATING



COLORS



RIGID PVC



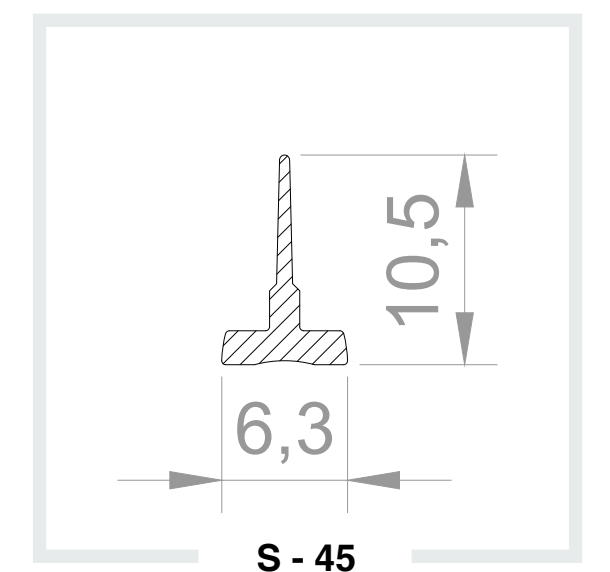
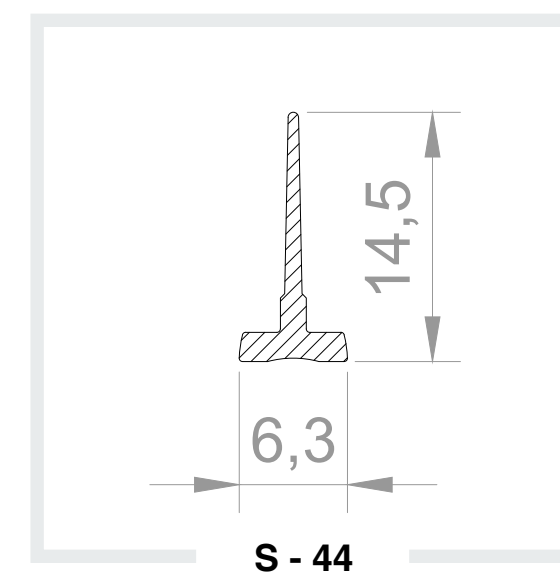
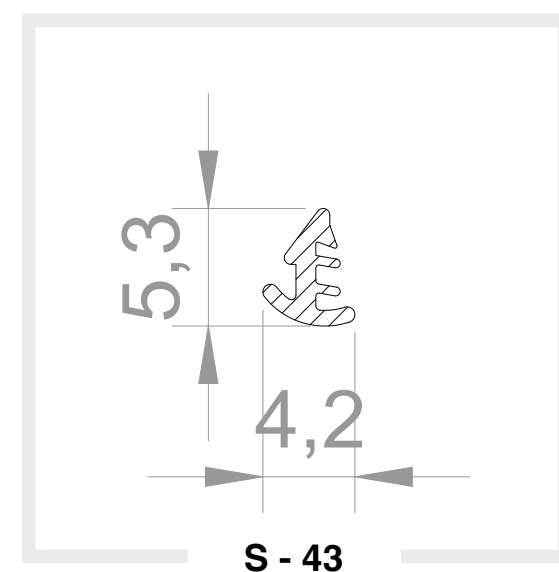
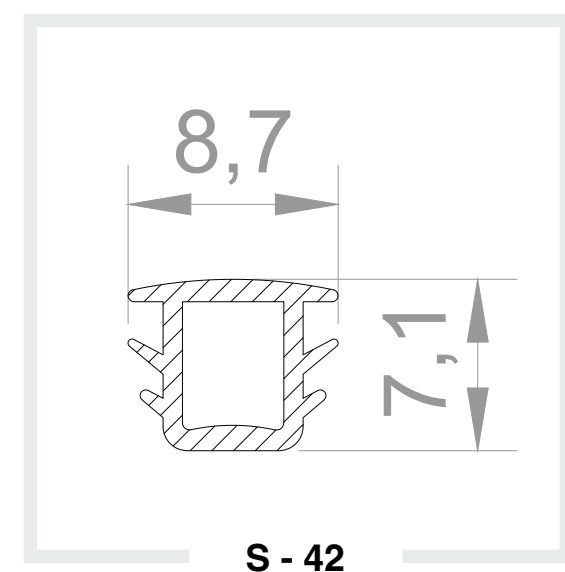
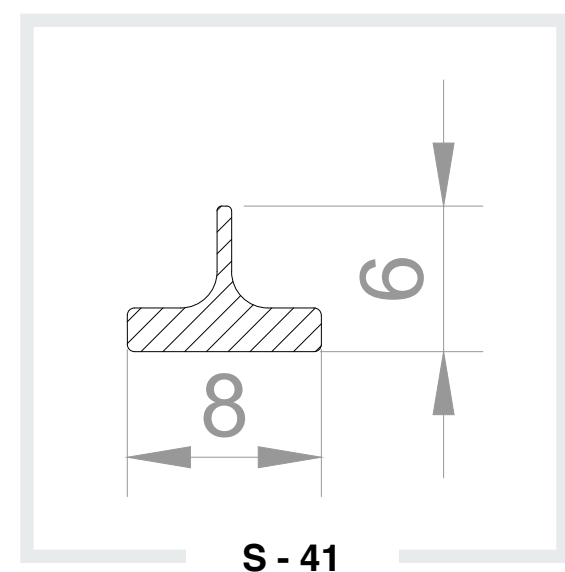
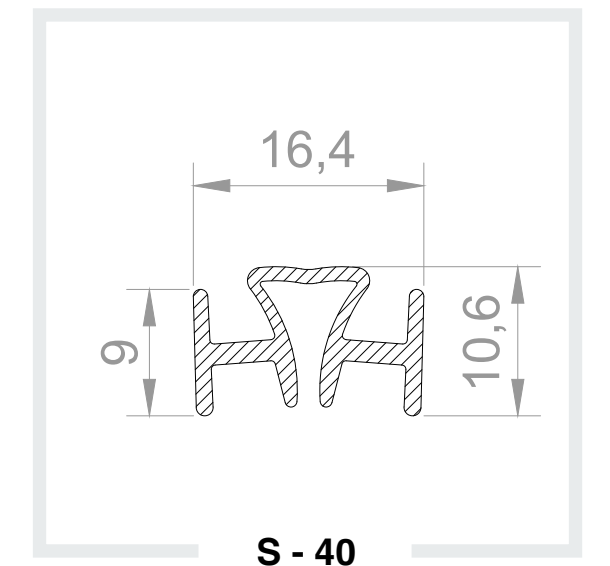
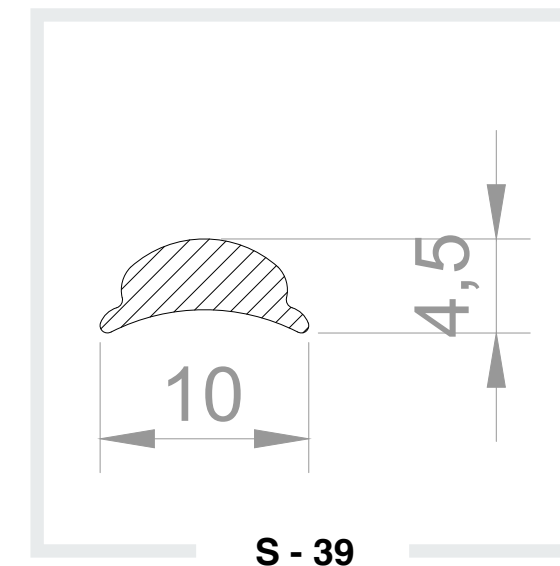
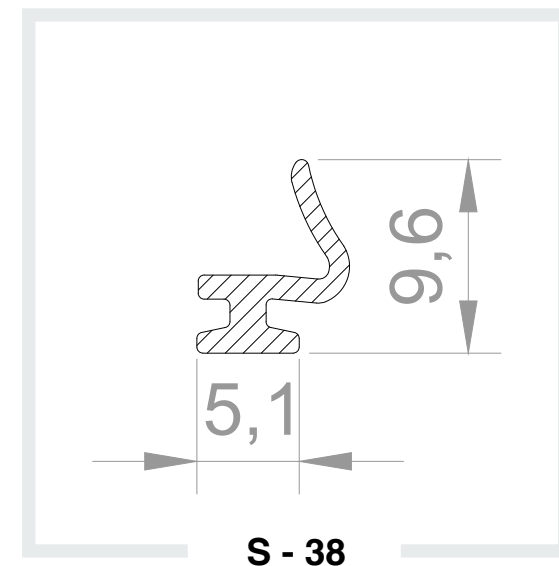
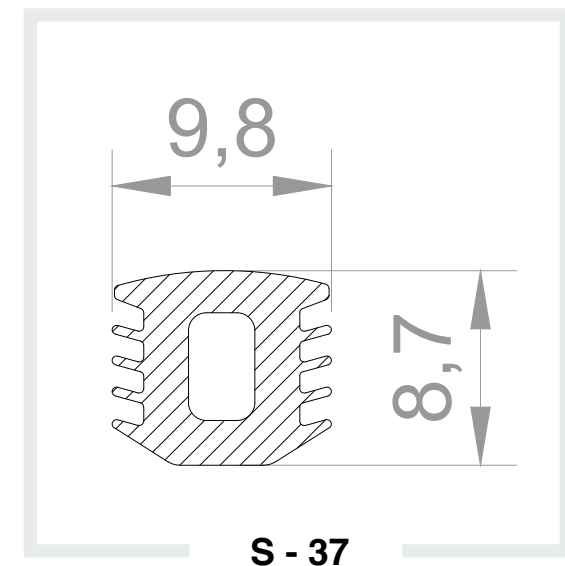
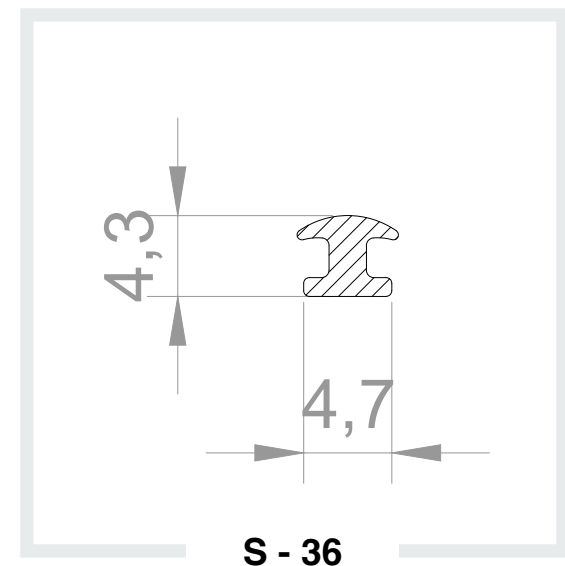
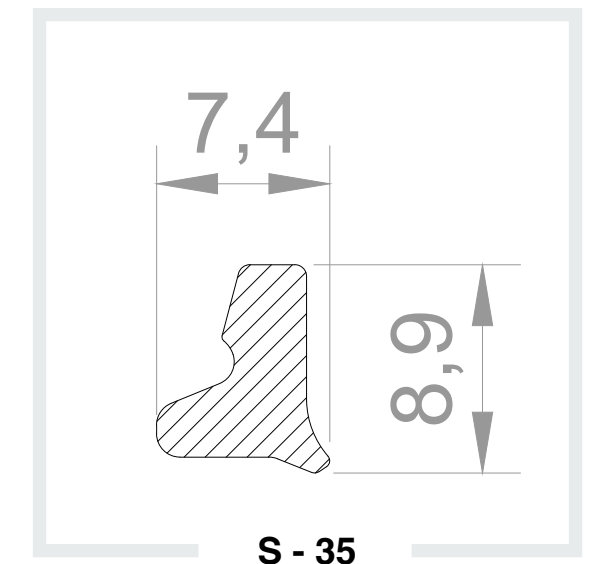
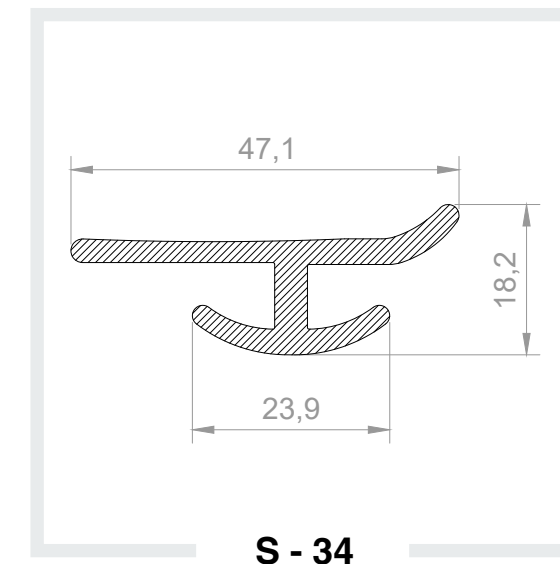
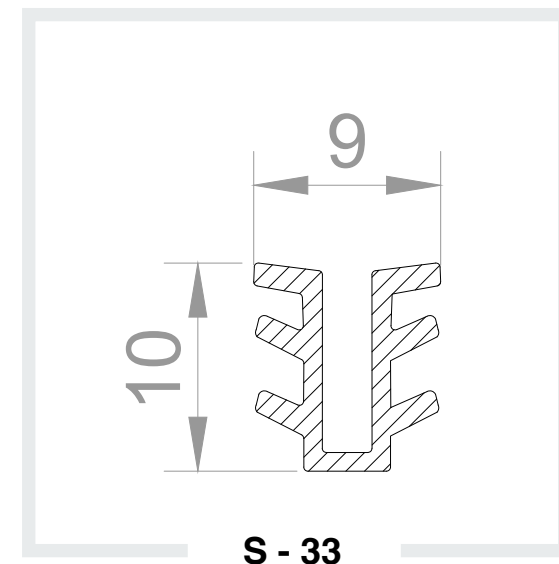
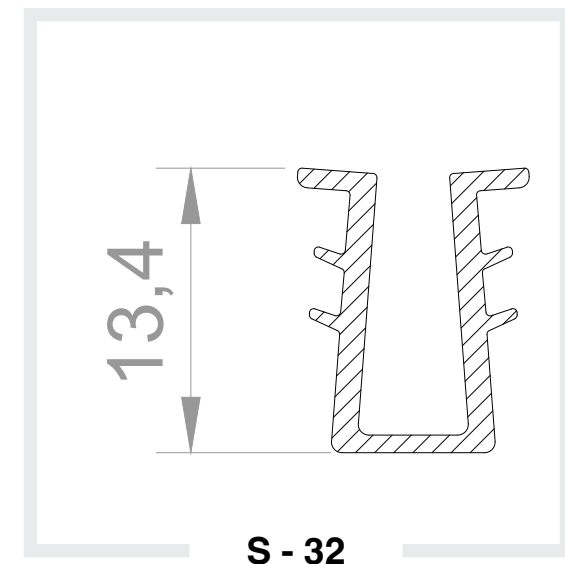
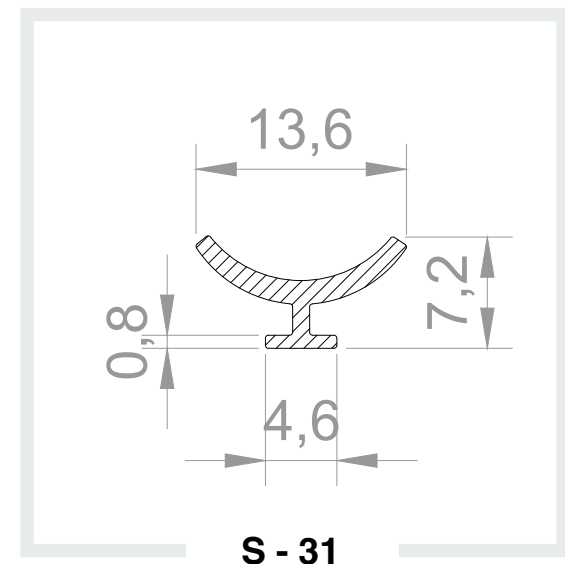
SOFT PVC



MAGNET



COATING



COLORS



RIGID PVC



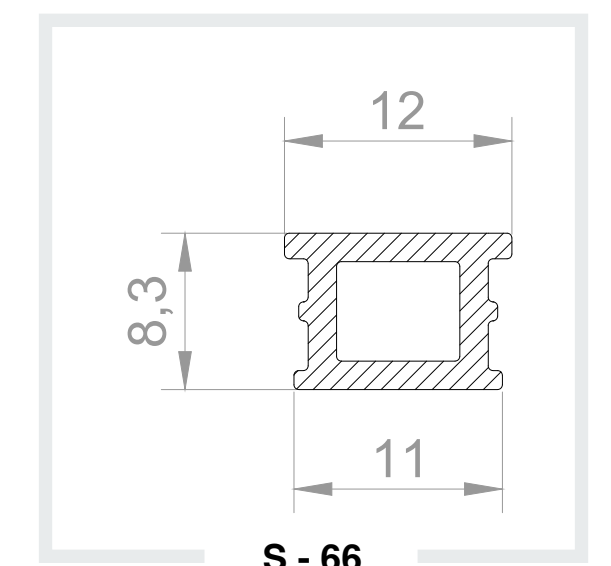
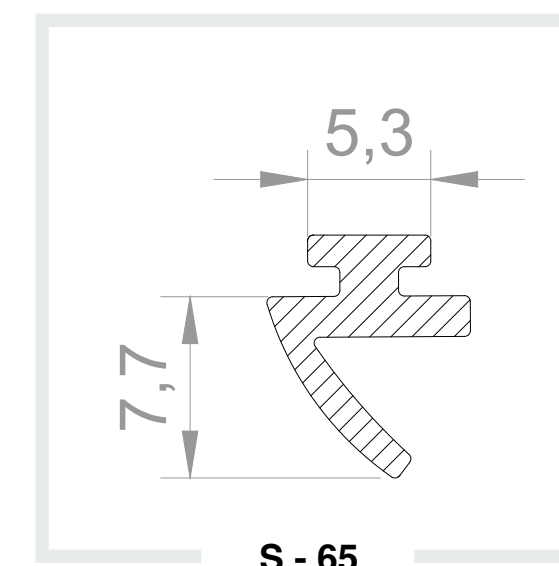
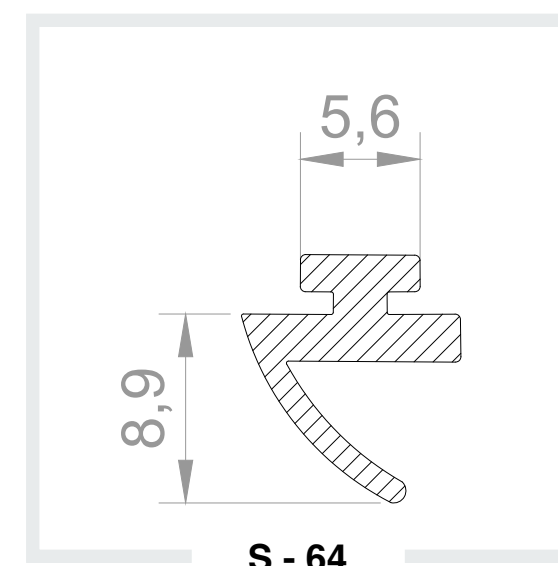
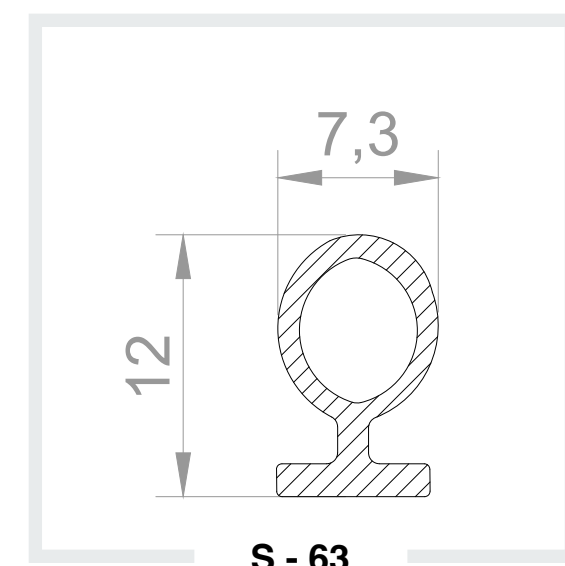
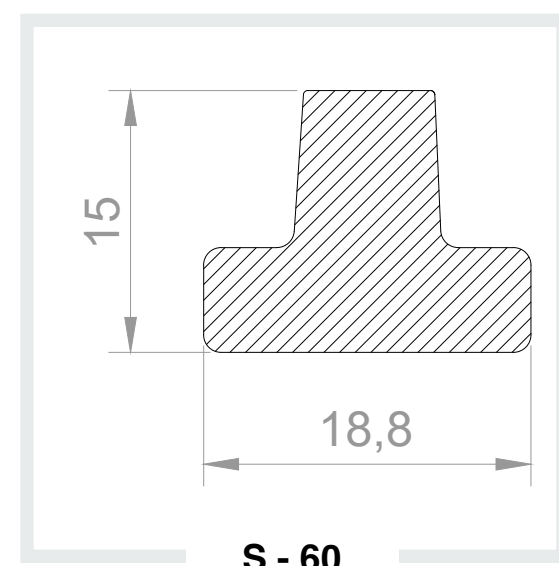
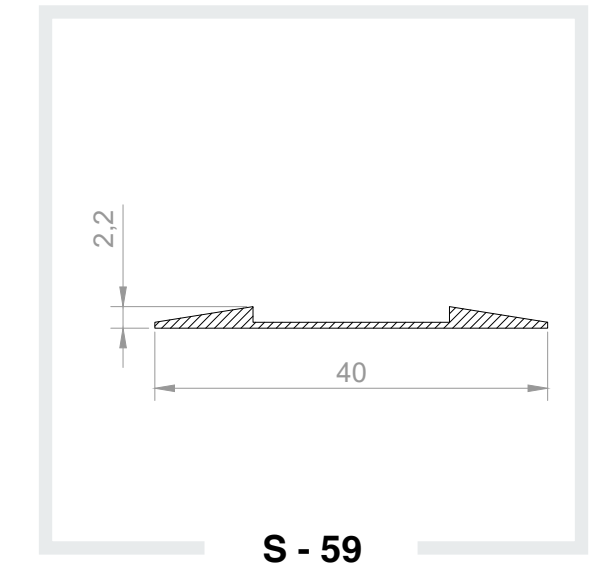
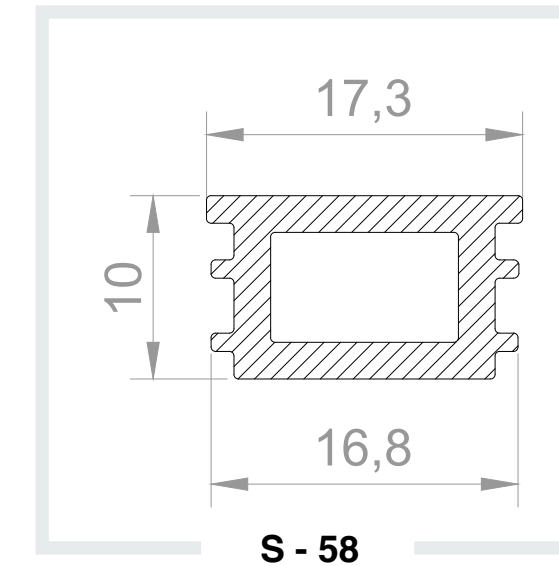
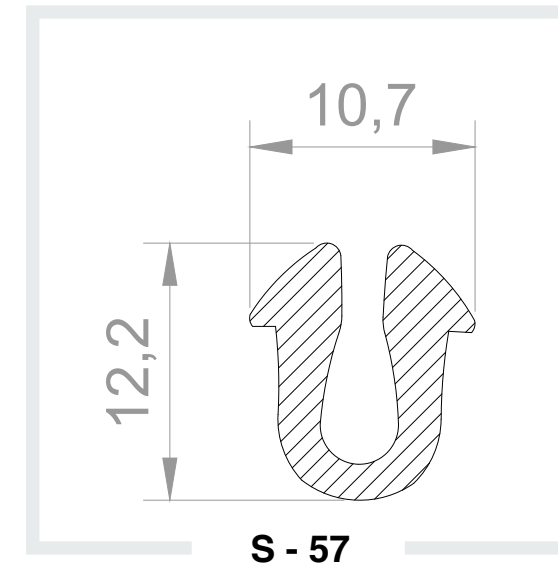
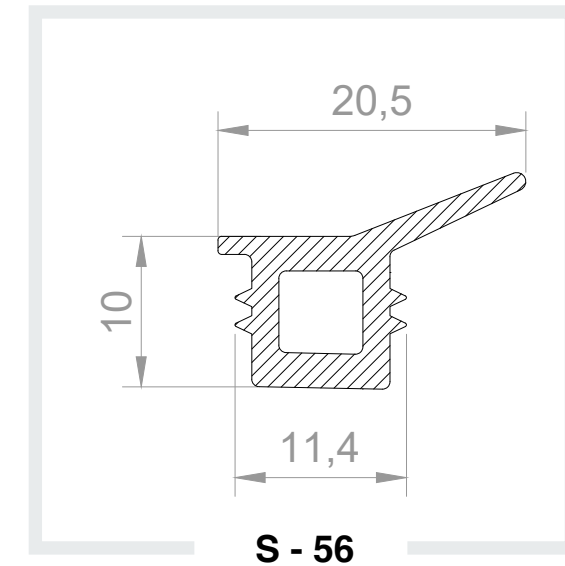
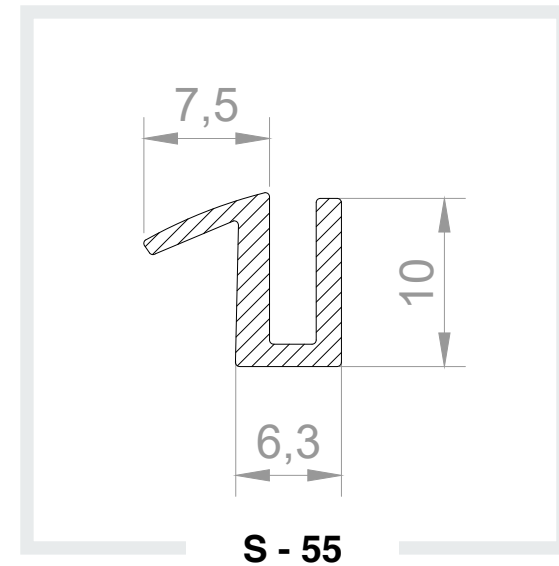
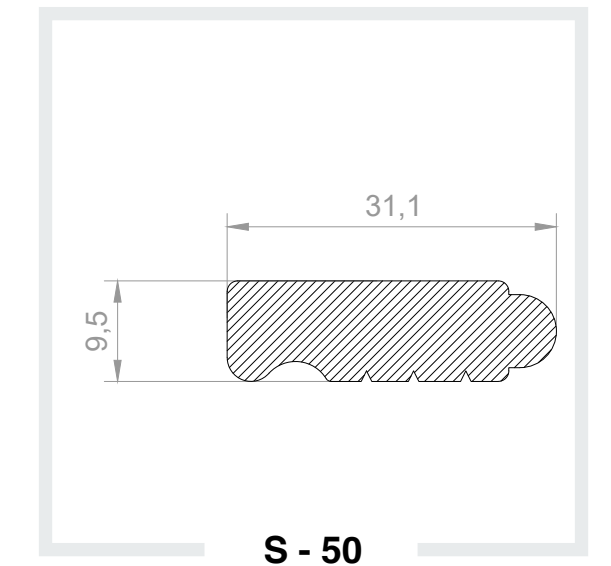
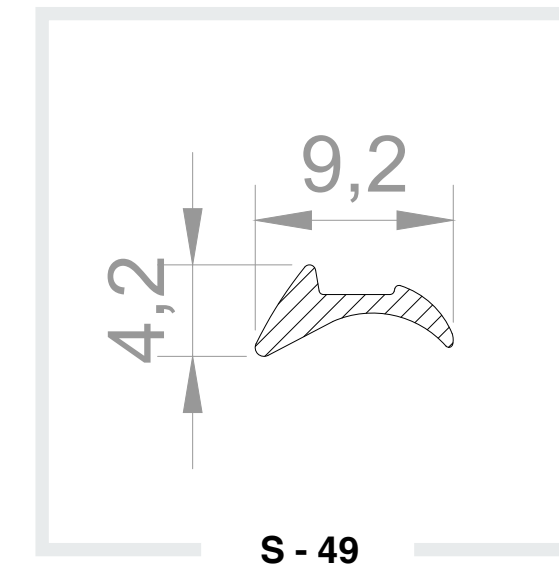
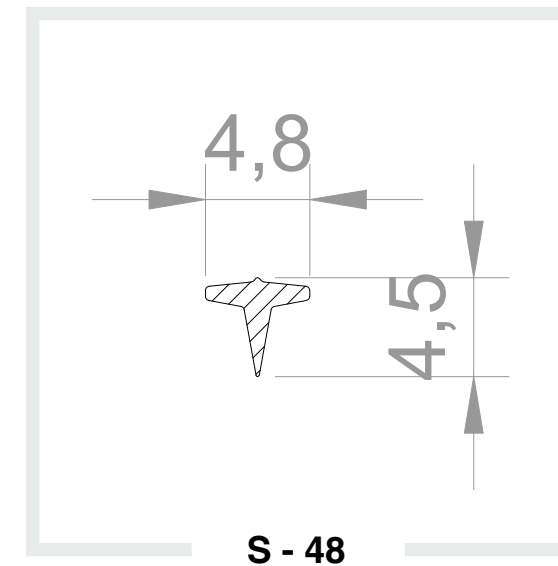
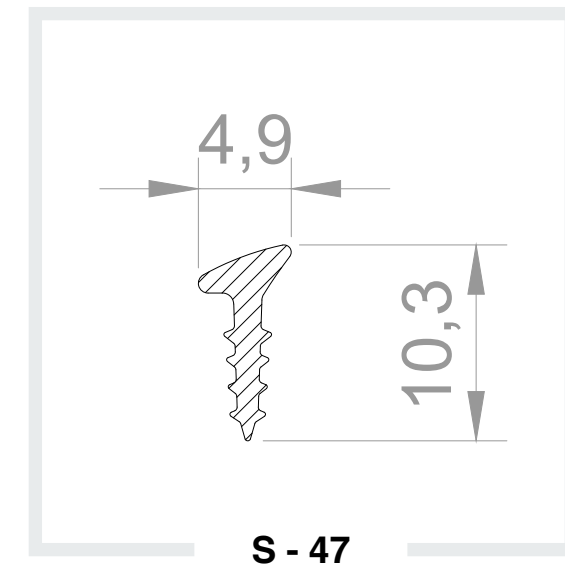
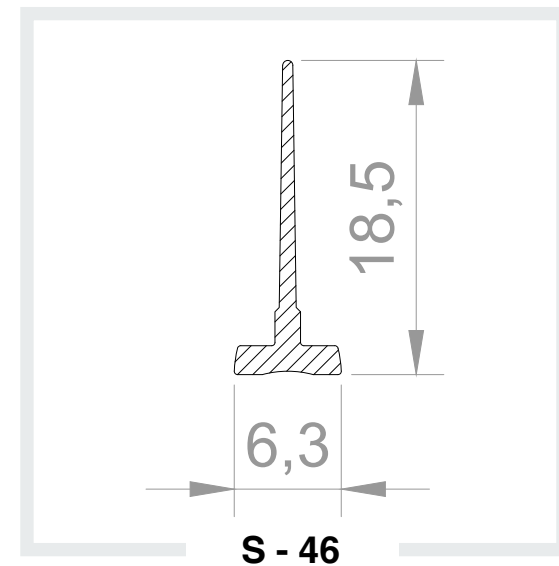
SOFT PVC



MAGNET



COATING



COLORS



RIGID PVC



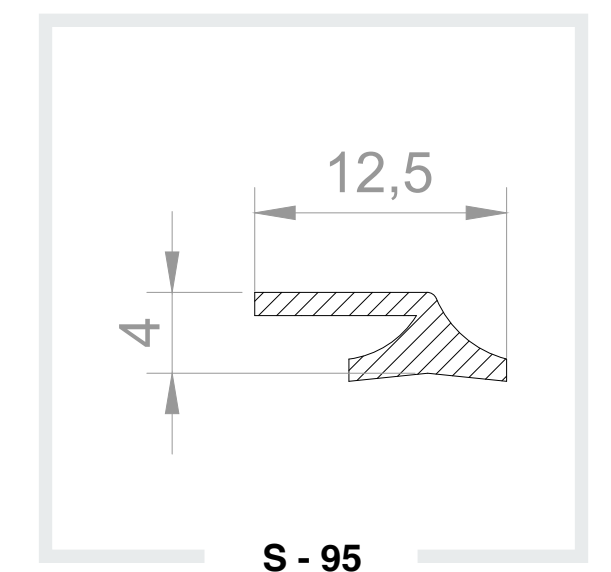
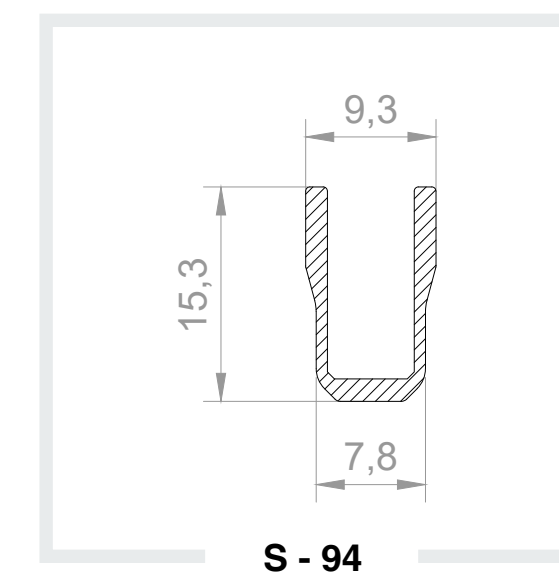
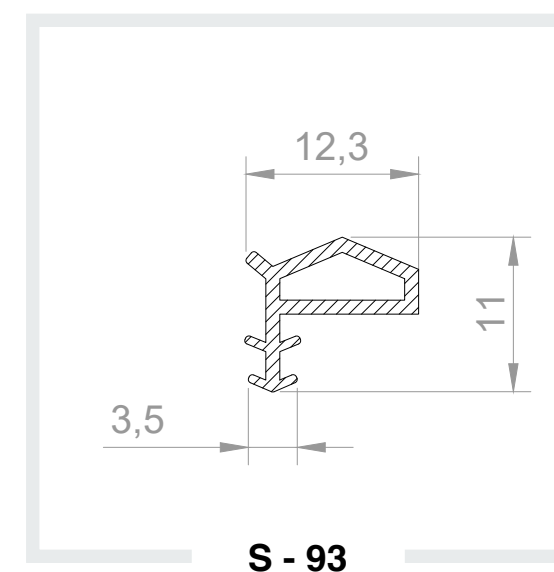
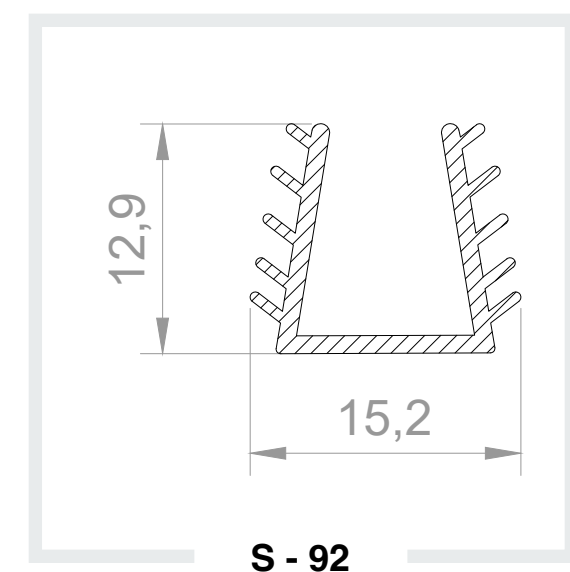
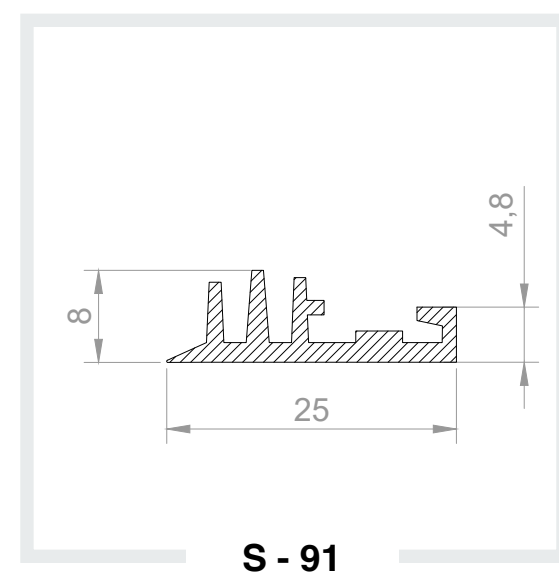
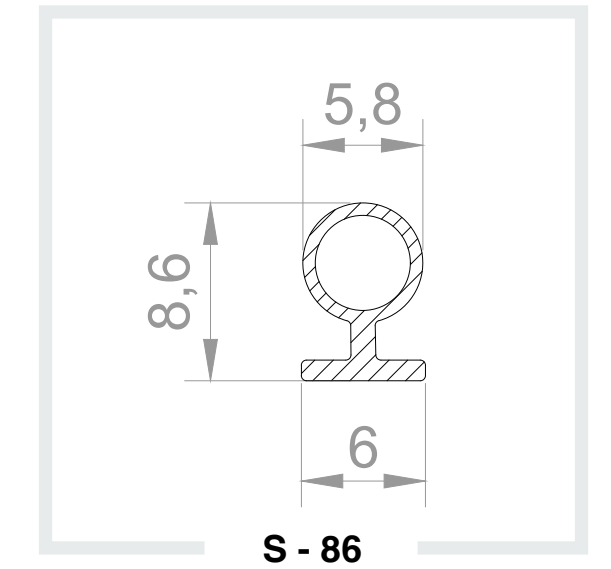
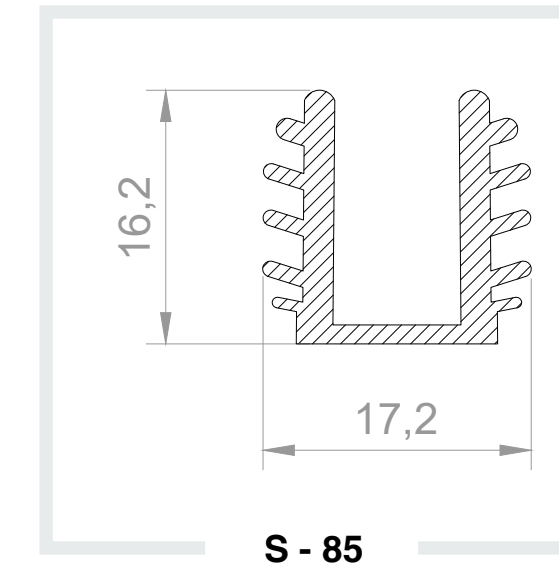
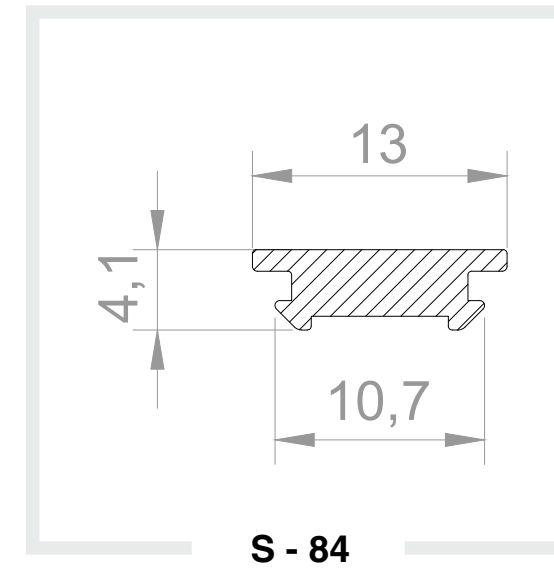
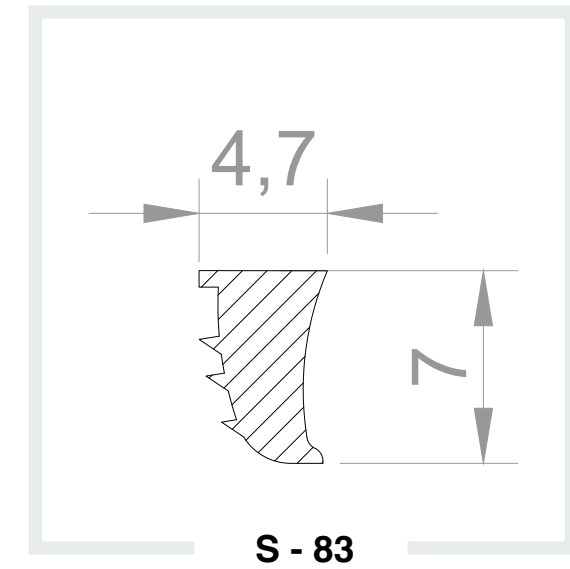
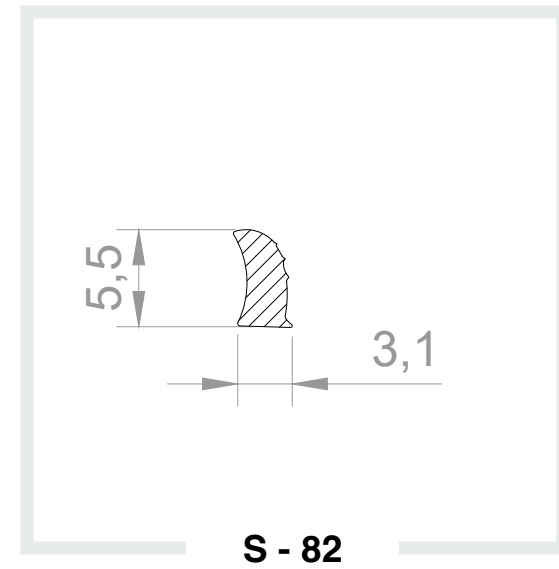
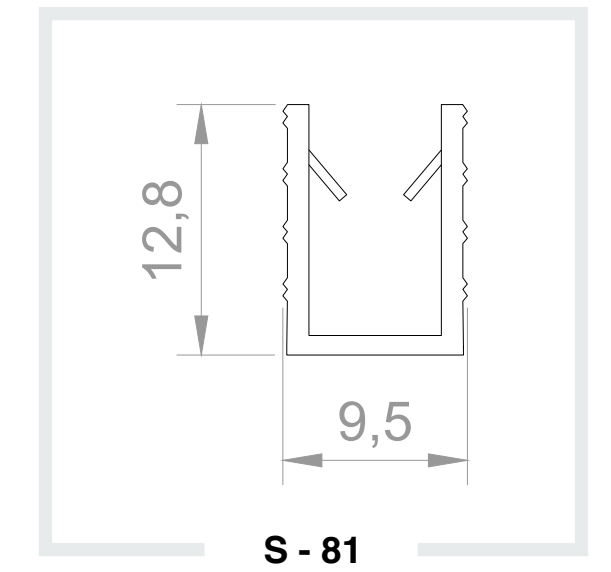
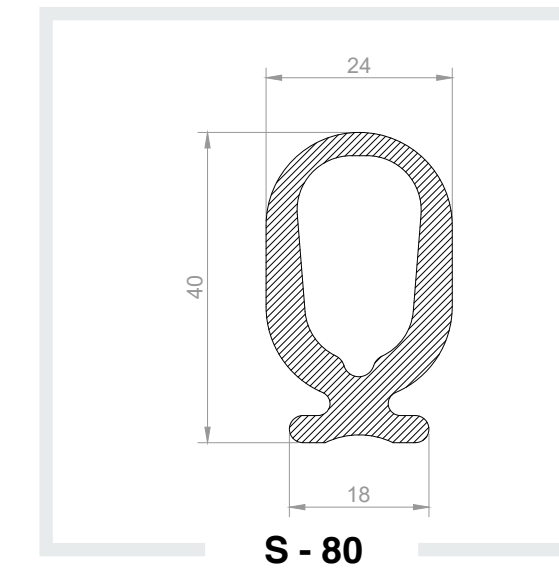
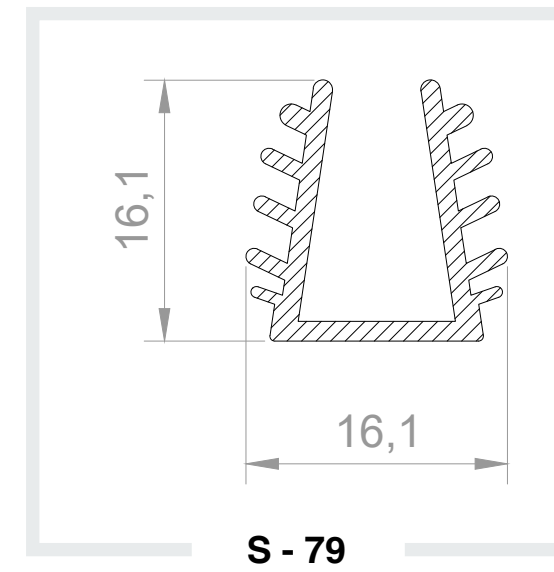
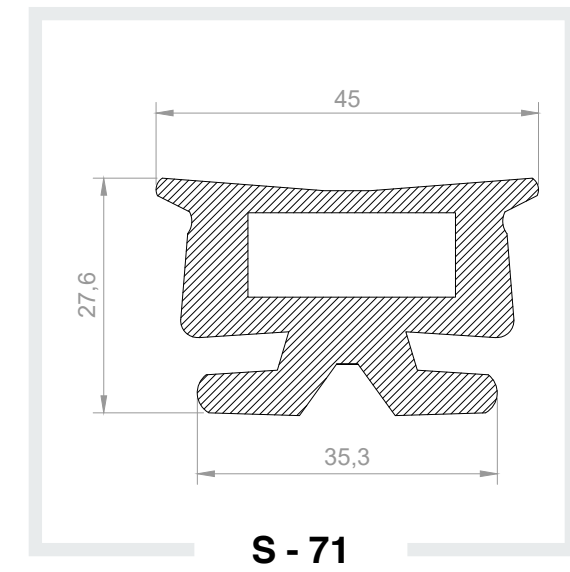
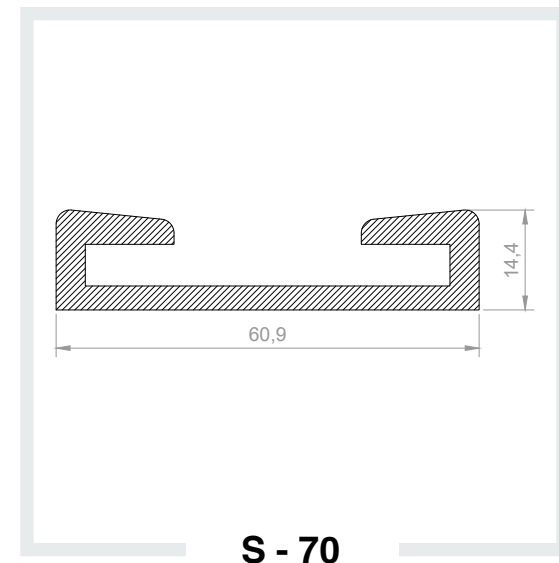
SOFT PVC



MAGNET



COATING



COLORS



RIGID PVC



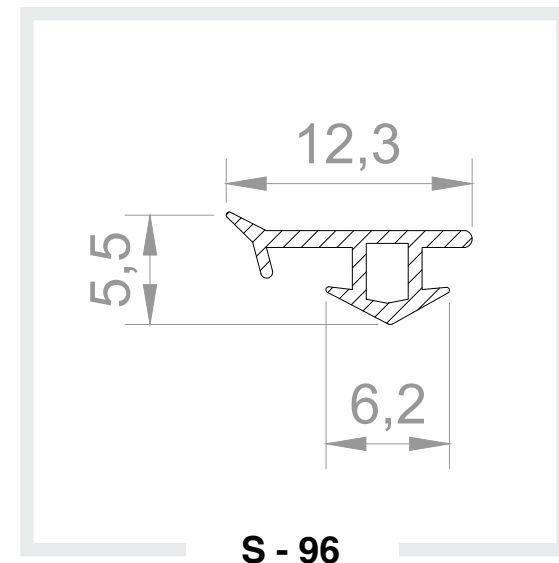
SOFT PVC



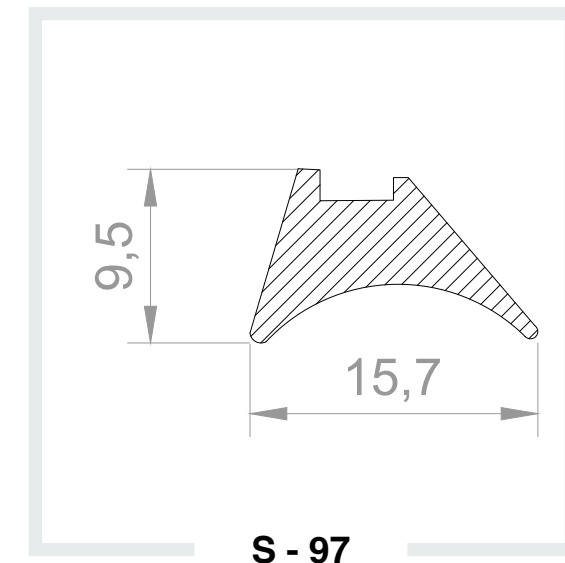
MAGNET



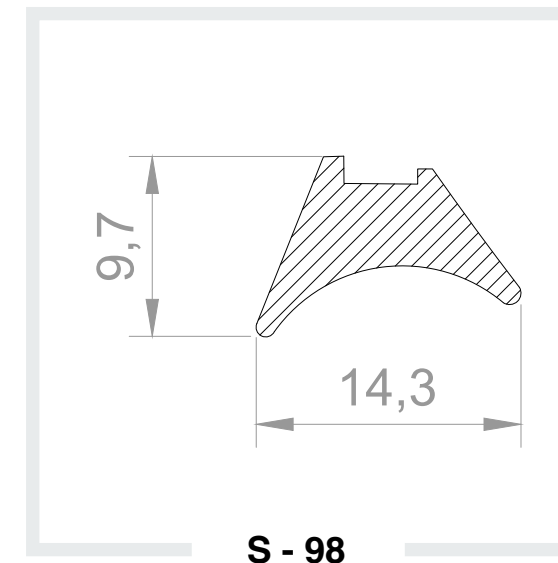
COATING



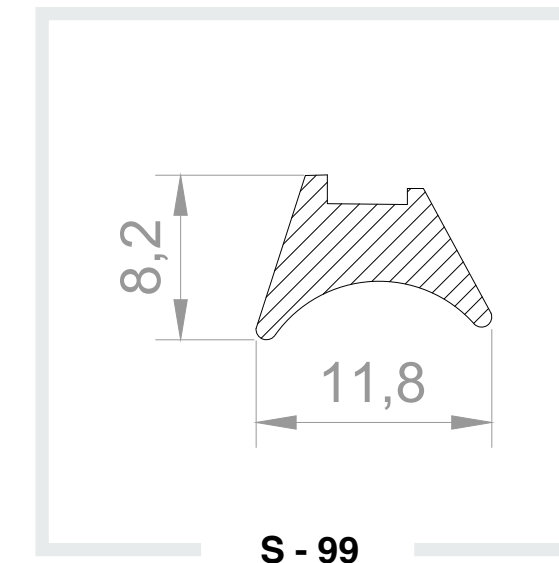
S - 96



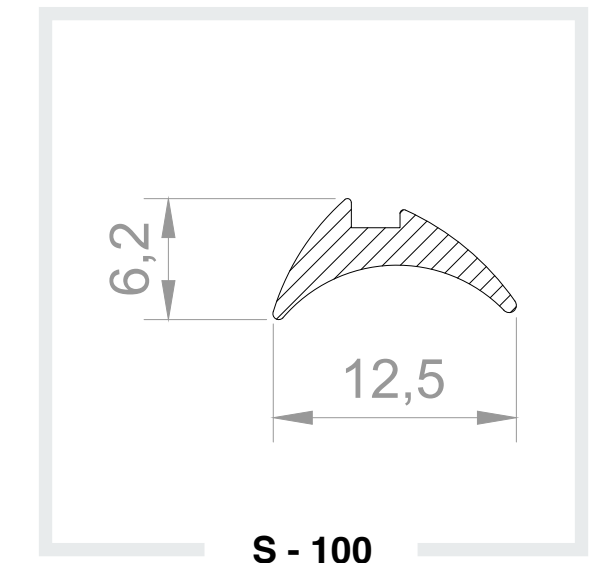
S - 97



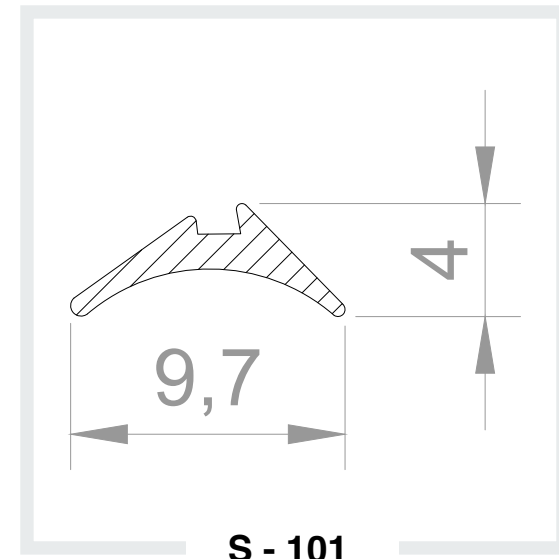
S - 98



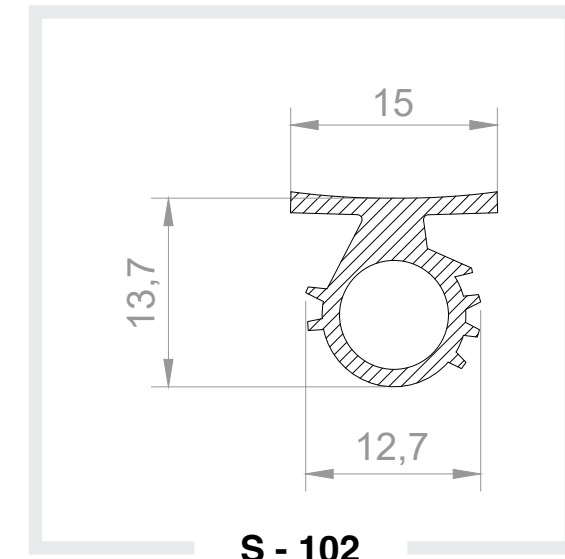
S - 99



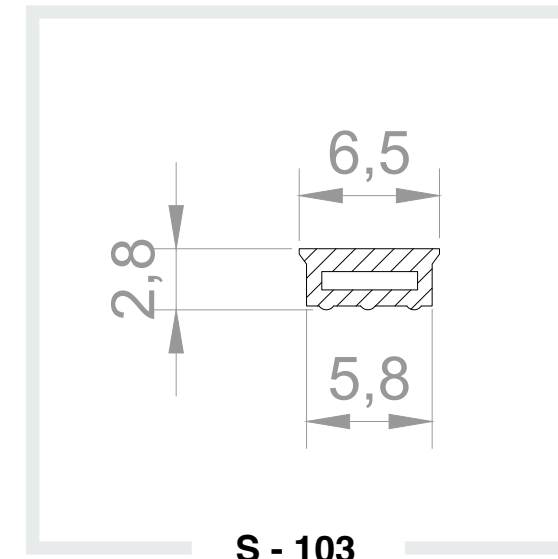
S - 100



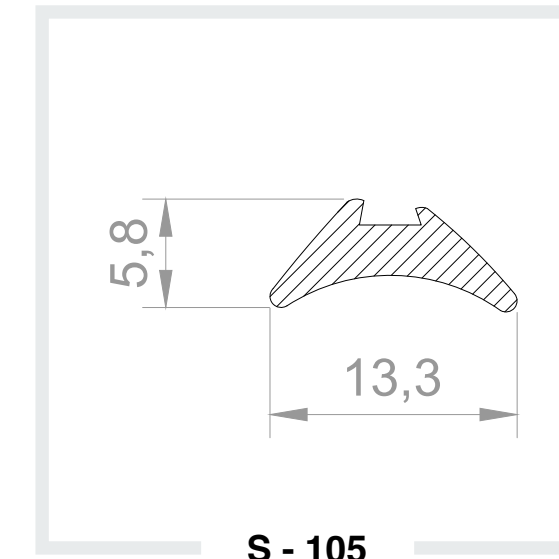
S - 101



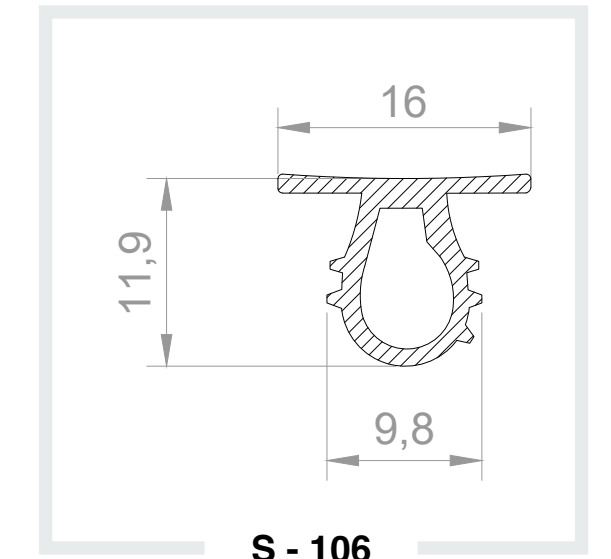
S - 102



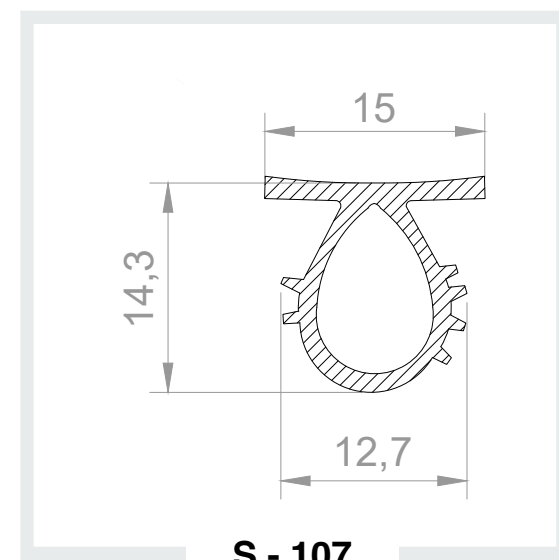
S - 103



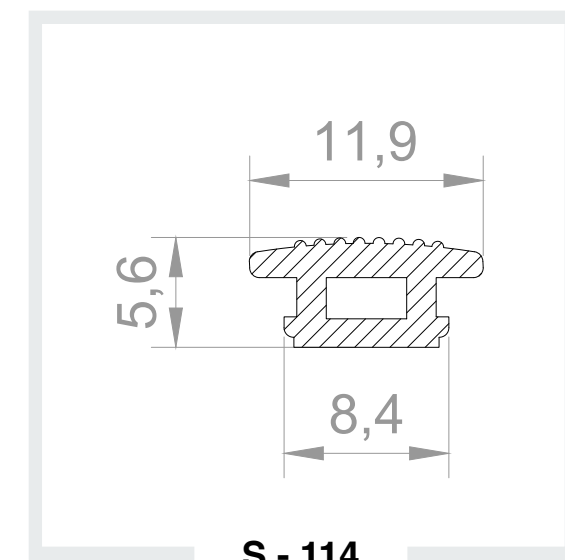
S - 105



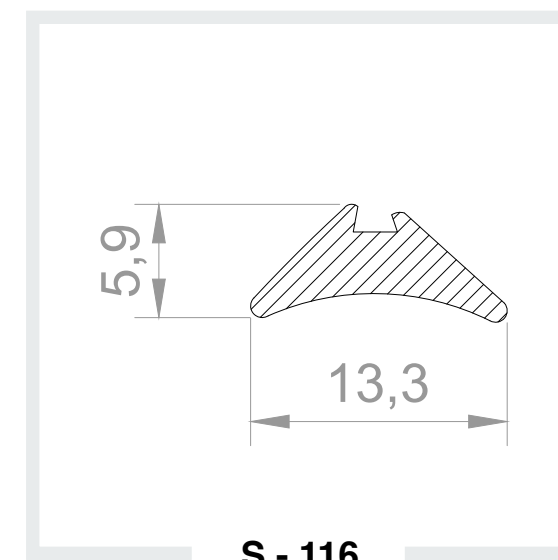
S - 106



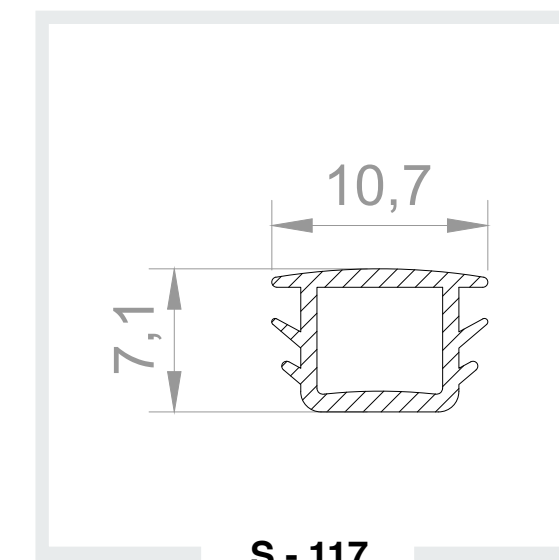
S - 107



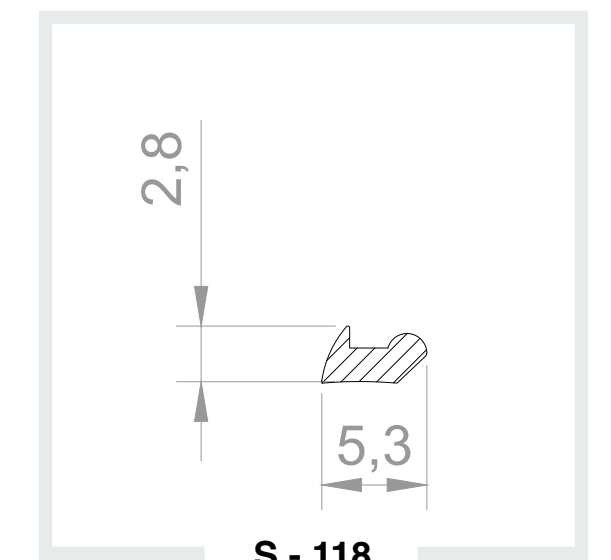
S - 114



S - 116



S - 117



S - 118

COLORS



RIGID PVC



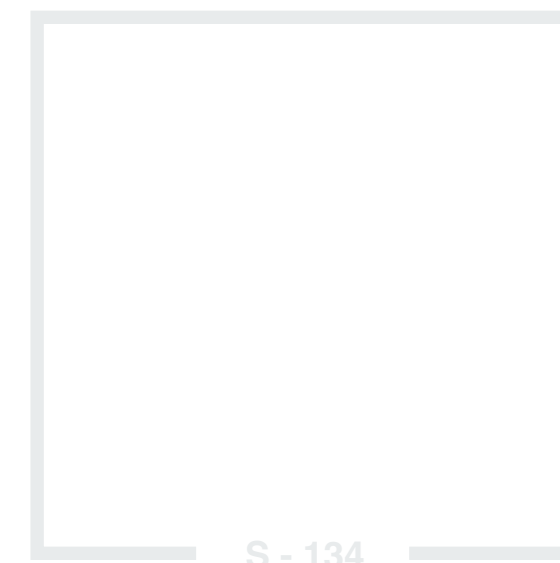
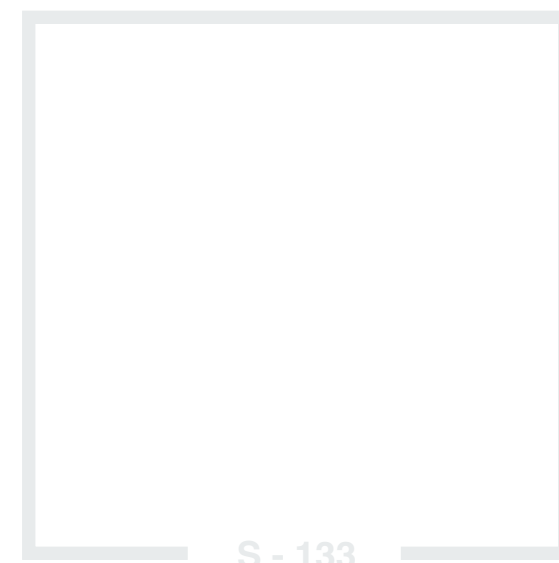
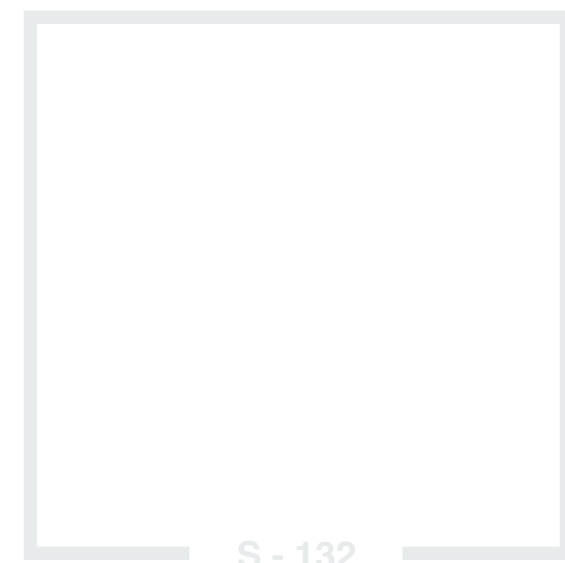
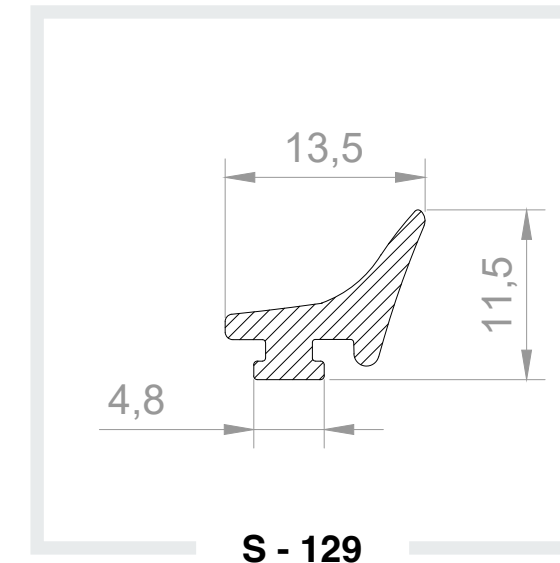
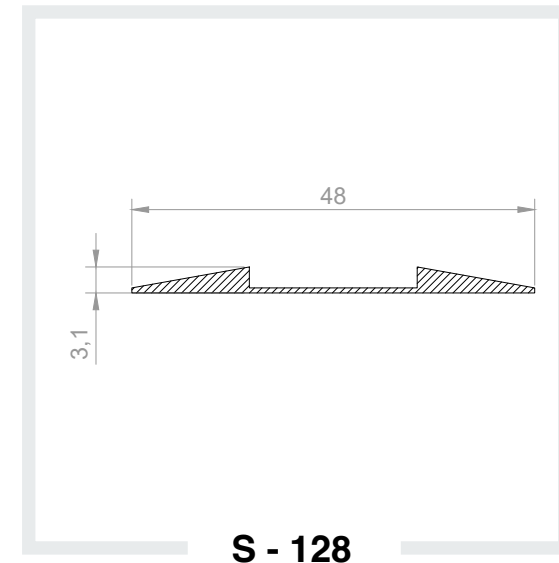
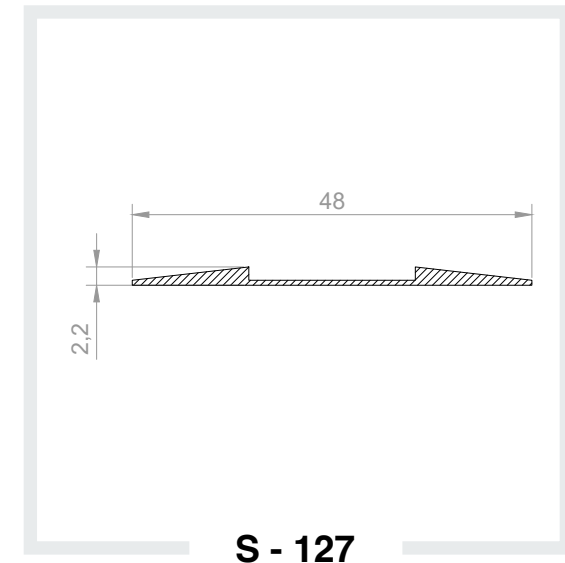
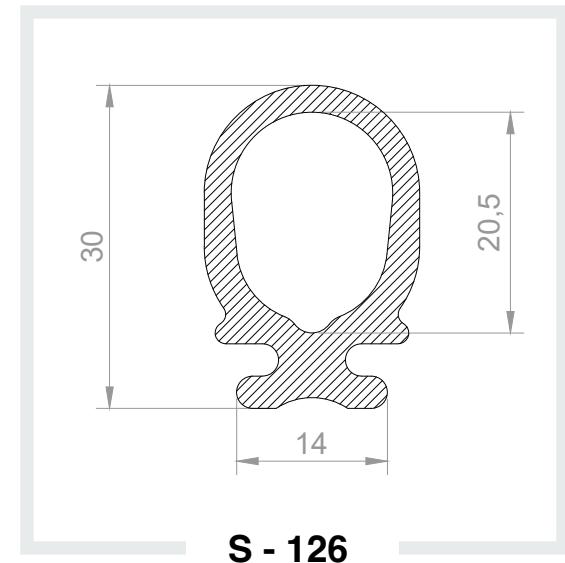
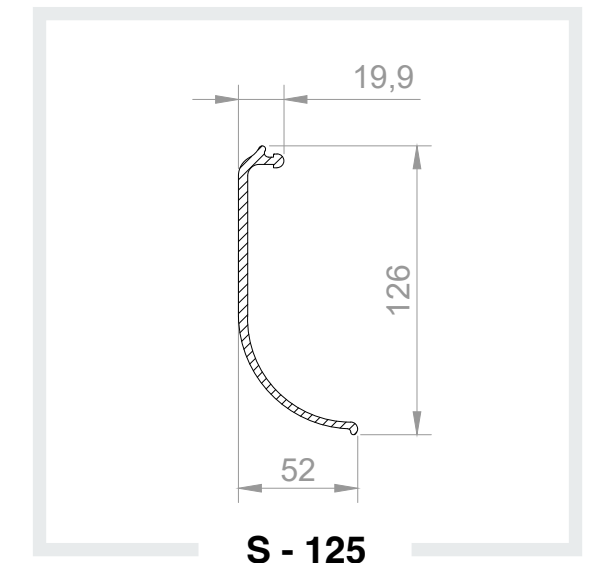
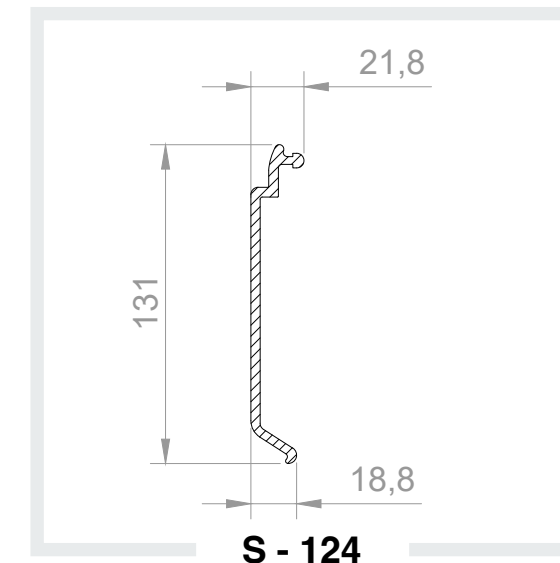
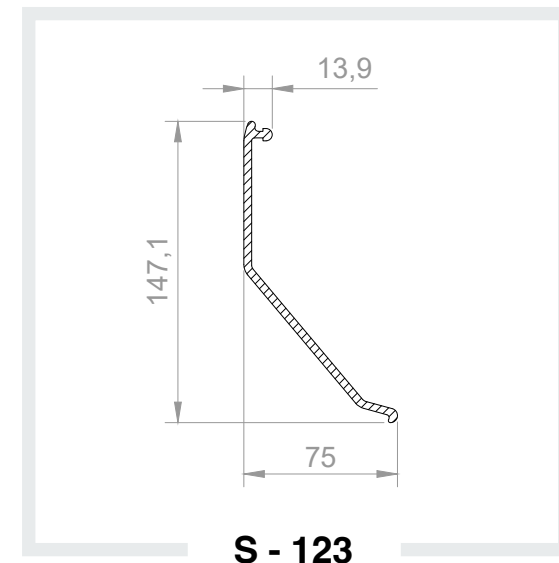
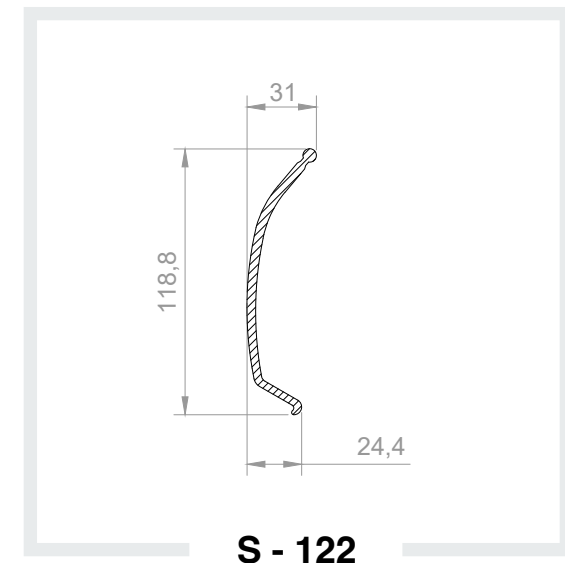
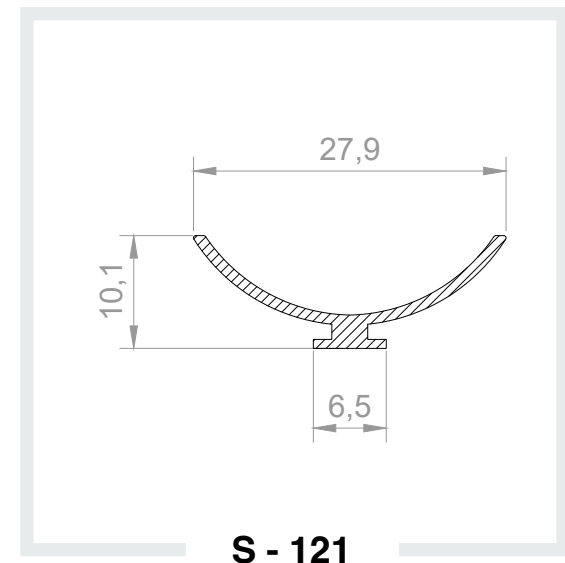
SOFT PVC



MAGNET



COATING





Shaped to fit your needs:

Produced either symmetrical-oval or asymmetrical-oval

P

PROFLAT GROUP



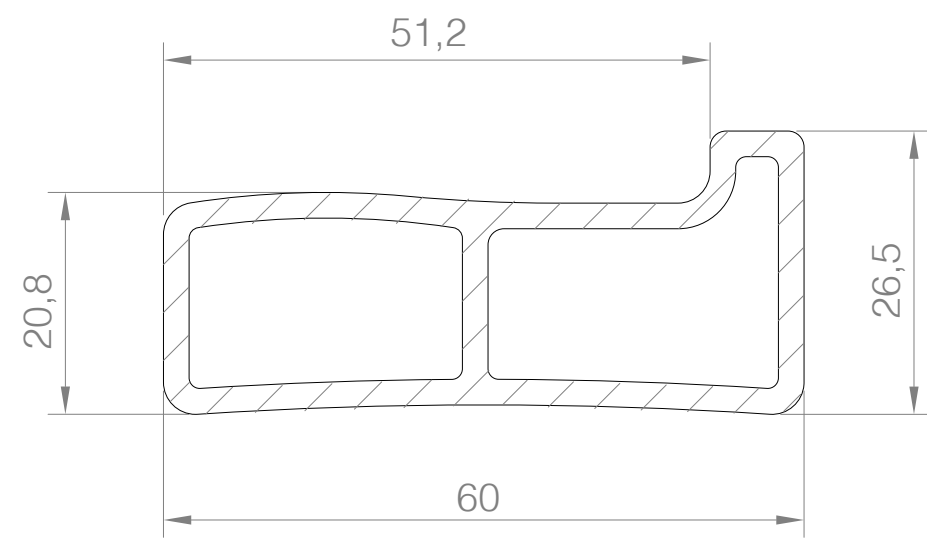
- Break resistant
- Scratch resistant
- Easy installation
- UV resistant
- Customizable
- Weight Carrying Capacity: 250Kg
- Longer Life : No deformation for 10 years



PROFLAT

TEXTURE

-  blackstone
-  browstone
-  beigestone
-  whitestone
-  PVC STONE



Stock For Bendings Proflat

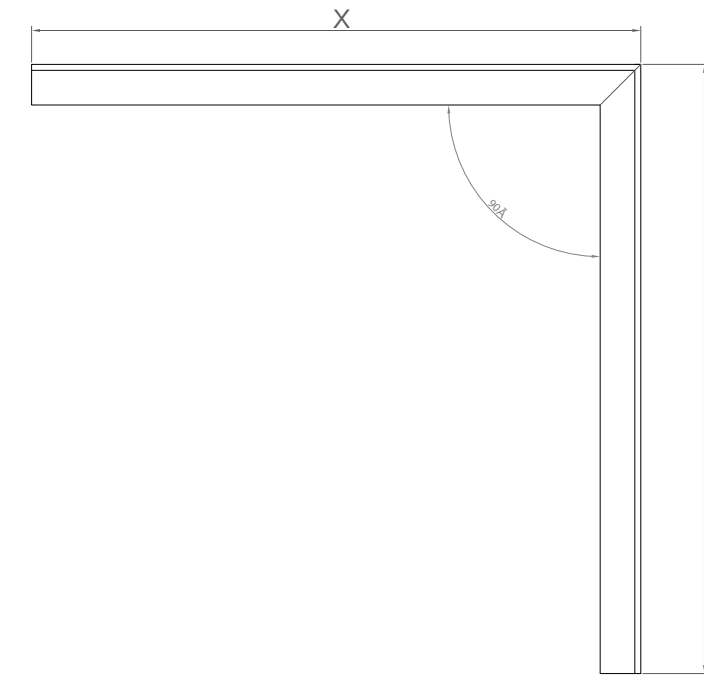
- 9000mm x 9000mm
- 1000mm x 1000mm
- 1100mm x 1100mm
- 1200mm x 1200mm
- 1000mm x 1200mm

Stock Lenghts For Flat Proflat

1800mm ~ 3200mm

TEXTURE

-  blackstone
-  browstone
-  beigestone
-  whitestone
-  PVC STONE



PD : FLAT AND CORNER SERIE

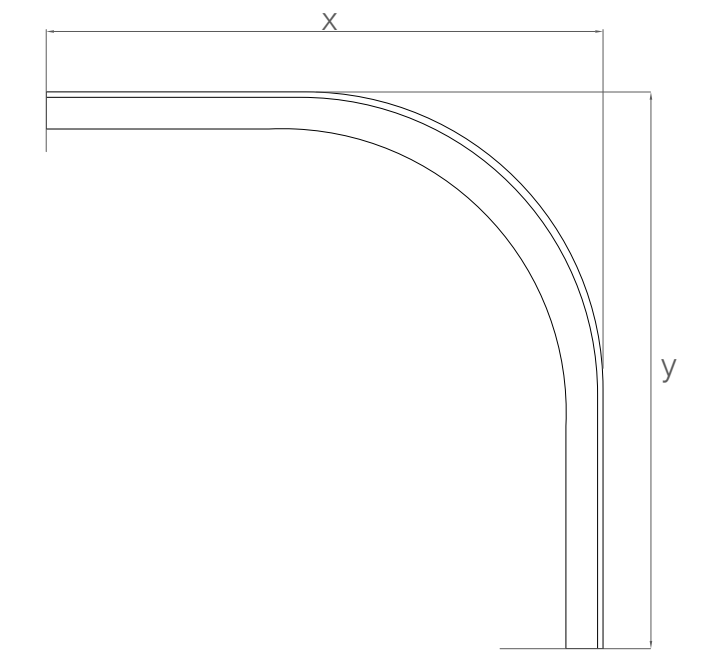
x: 900,1000,1100,1200

y: 900,1000,1100,1200

PDO : BENDING SERIE

x: 900,1000,1100,1200

y: 900,1000,1100,1200



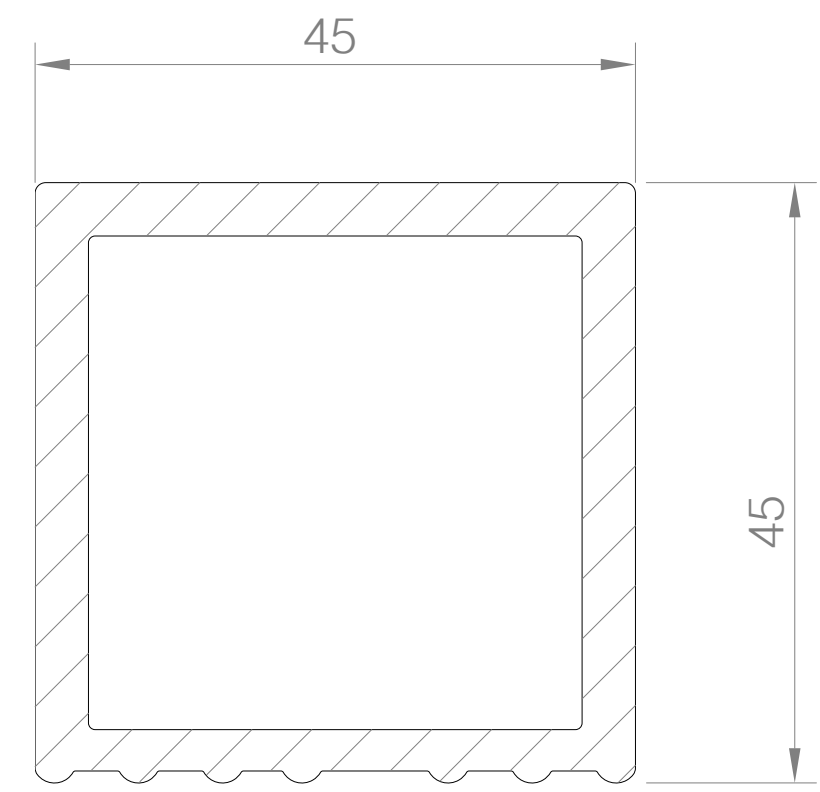
PDO : ASYMMETRIC BENDING SERIE

x: 900,1000,1100,1200

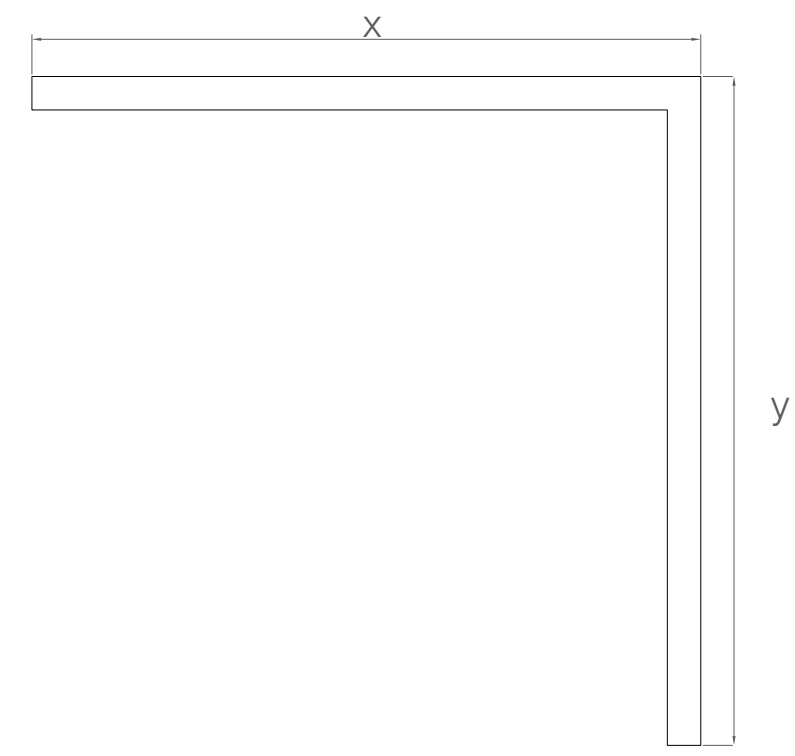
y: 900,1000,1100,1200

TEXTURE

- blackstone
- browstone
- beigestone
- whitestone
- PVC STONE



Stock Lengths For Flat Proflat
1800mm ~ 3200mm



PD : FLAT AND CORNER SERIE

x: 900,1000,1100,1200

y: 900,1000,1100,1200



Packaging

How do you determine how many pieces go in a single box?

We use a multiple layered packing box to prevent any deformities in a given product. We calculate the weight and size of the box load, keeping in mind that a full box can not be over 25 kilograms.



What kind of pallets do you use?

We can use standard Europallets, but we can ship with custom pallets that fit your needs.

Our pallets are build as wooden cage crates which protect your goods and enable us to use the full height of the Truck/ Container.

1 Box size
240mmx1200mm



1 Pallet contains
15 Boxes

1 Truck contains
up to max 54 Pallets





Thank_you.

Contact

For further information please contact:

E: info@eren-plastic.com

P: +90 216 599 1923

Eren Plastic & Glass

Eren Plastic & Glass Catalogue 2022.

Plastic.

Glass.

COMPANY DATA AND CONTACT

COMPANY NAME

EREN PLASTIC & GLASS

COMPANY ADDRESS

İSTANBUL DERİ ORGANİZE SANAYİ BÖLGESİ 14. YOL
13/7 PARSEL NO:3 TUZLA/İSTANBUL

CONTACTS :

M : INFO@EGPAS.COM

W : WWW.EGPAS.COM